

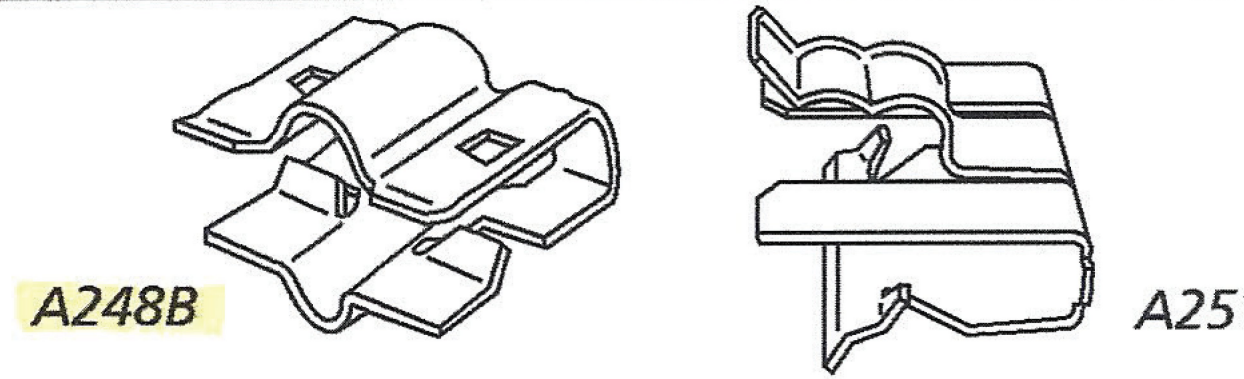
Cable Clips

Retainer Clips

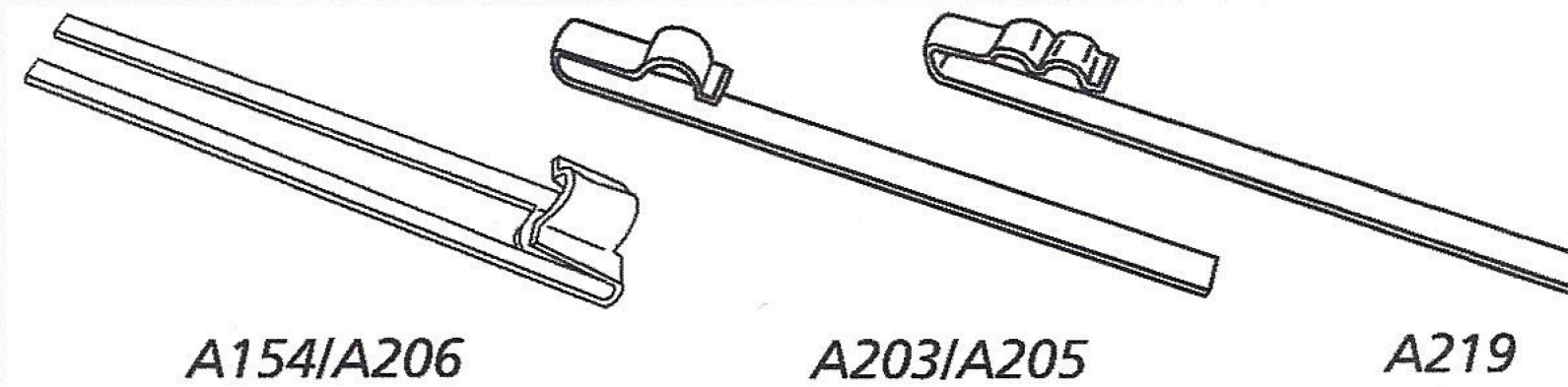
Design Features

- Spring steel and "snap-on" designs mean no more holes to drill.
- Flexibility - wide range of clips fit all standard rails and a variety of conductors.
- Versatility - ERICO now enables you to secure cables — reducing maintenance and improving wayside safety.

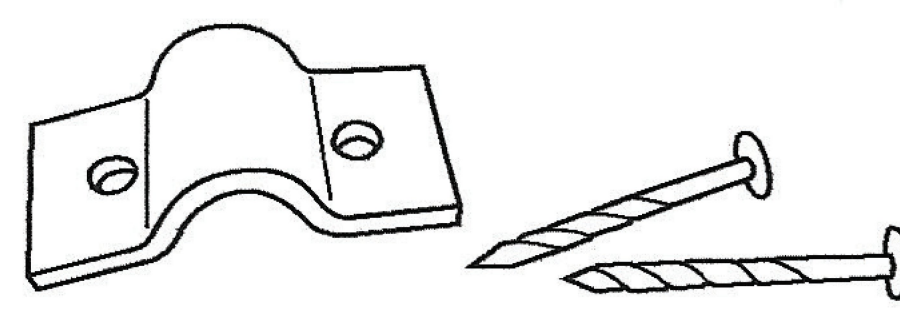
Electroplated Spring Steel

			
Part Number	Max Cable Diameter	Position on Rail Base	Standard Packaging
A248B	3/8"	Perpendicular	50
A251	3/8"	Double Parallel	50

Electroplated Steel

			
Part Number	Max Cable Diameter	Position on Rail Base	Standard Packaging
A154	5/16"	Perpendicular	50
A203	5/16"	Parallel	100
A205	1/2"	Parallel	100
SBA206	1/2"	Perpendicular	50
A219	5/16"	Double Parallel	100

PVC Cable Keeper

	
Part Number	Description
T375	7/16" Diameter Cable Keeper – 2 Holes w/nails