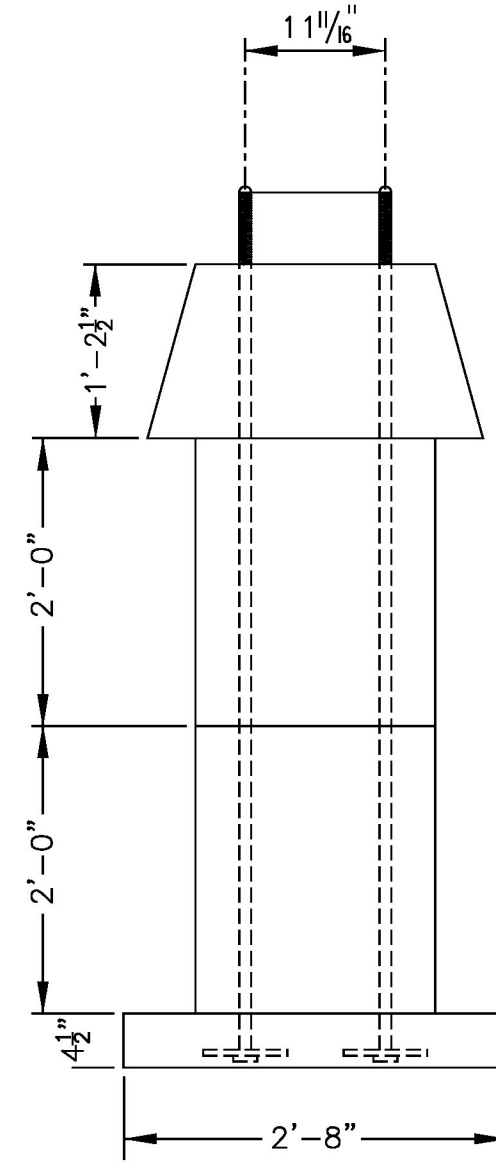
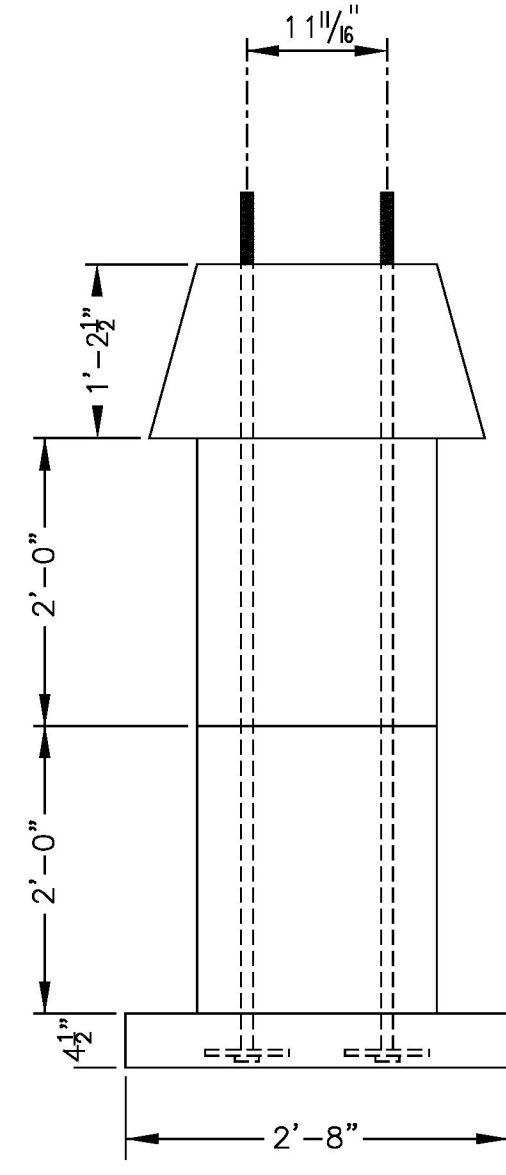


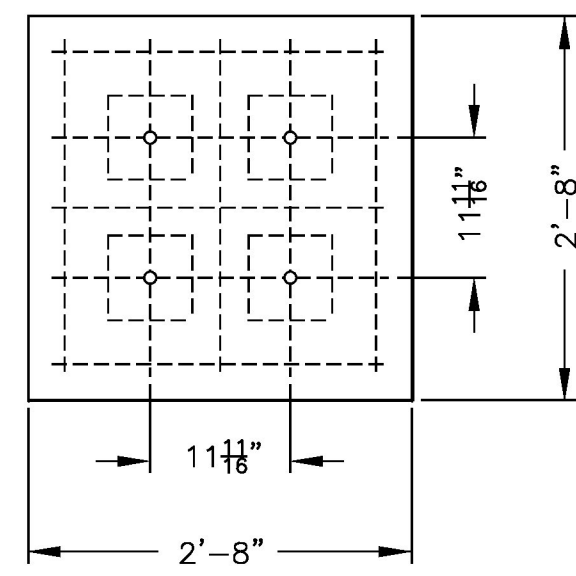
TOP PLAN



FRONT VIEW



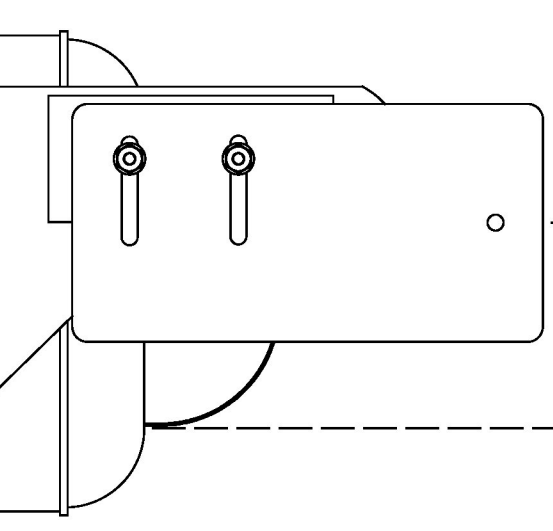
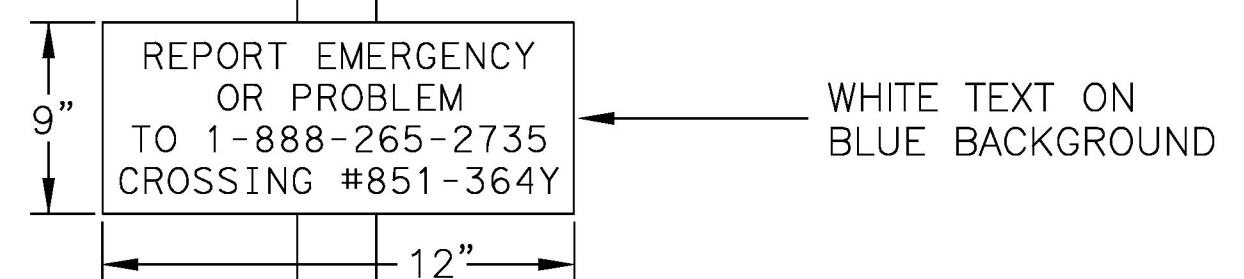
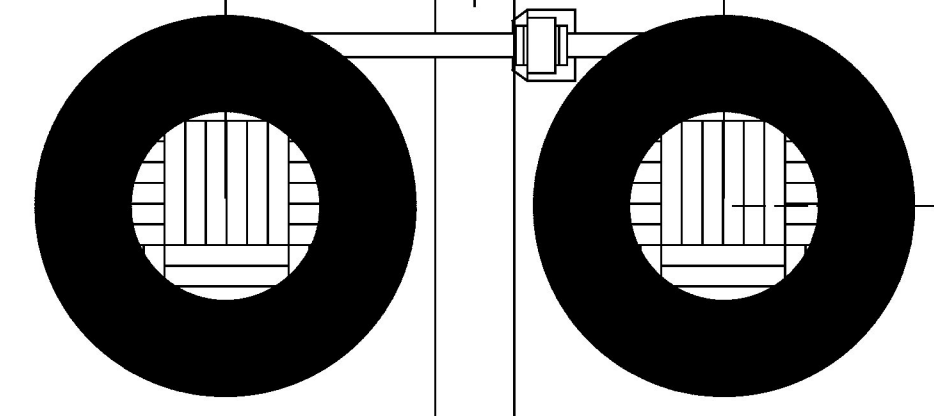
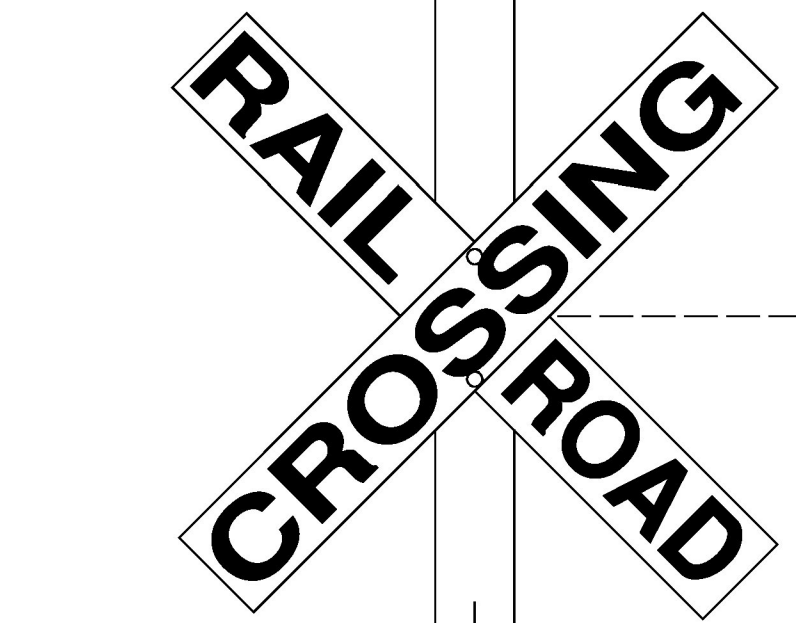
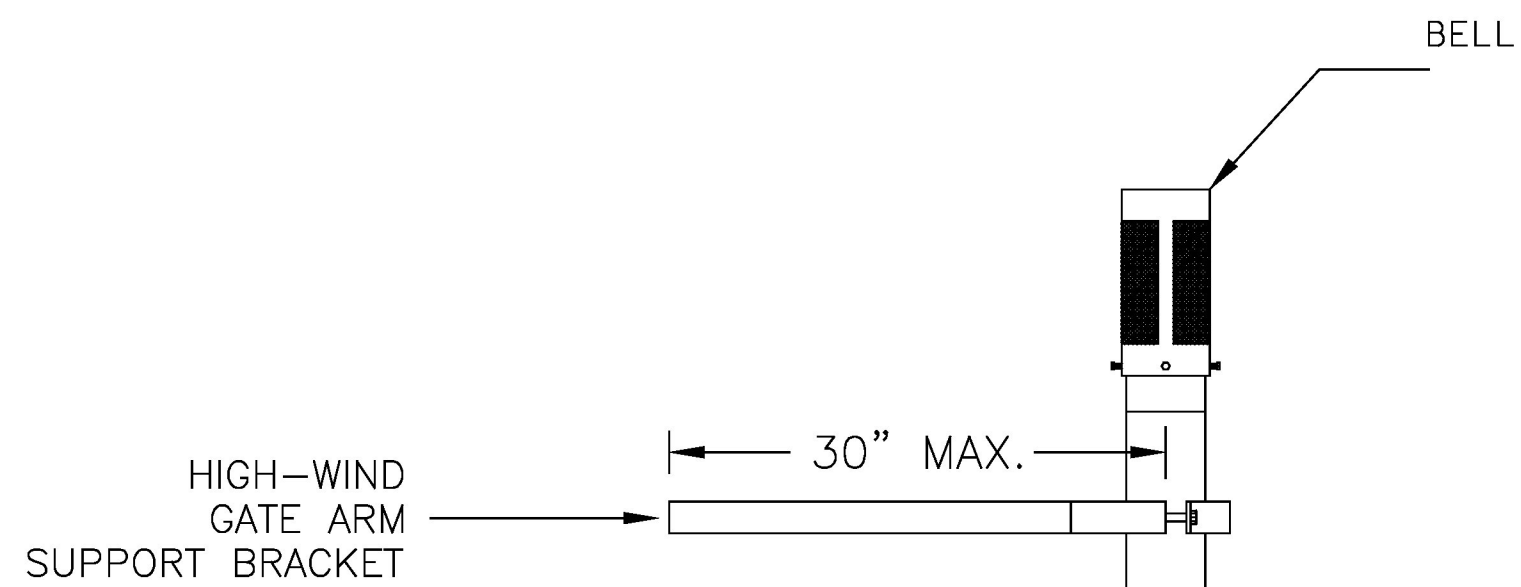
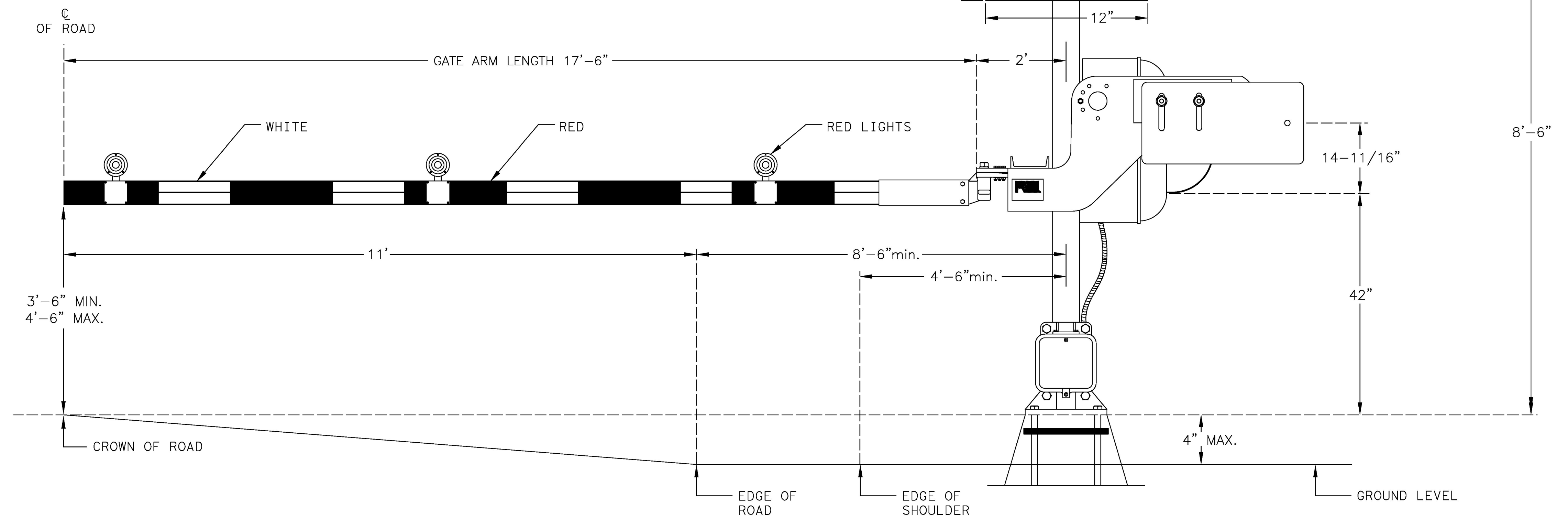
SIDE VIEW



BASE PLAN

NOTES:

1. FOUNDATIONS SHALL BE DESIGNED USING THE GEOTECHNICAL PARAMETERS PROVIDED IN THE VTRANS GEOTECHNICAL REPORT FOR THIS PROJECT INCLUDED IN THE CONTRACT DOCUMENTS.
2. FOUNDATION DESIGN SHALL BE SUBMITTED TO THE ENGINEER AND APPROVED PRIOR TO FABRICATION OR CONSTRUCTION.
3. ALL WORK ASSOCIATED WITH THE DESIGN AND INSTALLATION OF FOUNDATIONS FOR THE MAST ARMS WILL BE INCLUDED IN THE UNIT PRICE BID FOR ITEM 900.620 RAILROAD FLASHER SIGNALS WITH GATES.
4. DRAWINGS NOT FOR CONSTRUCTION PURPOSES, FOR BID PURPOSES ONLY. CONTRACTOR TO PROVIDE FINAL DETAIL DESIGN IN ACCORDANCE WITH SPECIAL PROVISION RAILROAD FLASHER SIGNALS WITH GATES.



PROJECT NAME: NEW HAVEN	
PROJECT NUMBER: STP. 2035 (19)	
FILE NAME: TYPICAL XING SIGNAL.dgn	PLOT DATE: 02/15/17
PROJECT LEADER:	DRAWN BY: J.L.S.
DESIGNED BY: D.W.S.	CHECKED BY: K.N.
SIGNAL PLANS-TYP. CROSSING SIGNAL	SHEET 42 OF 42