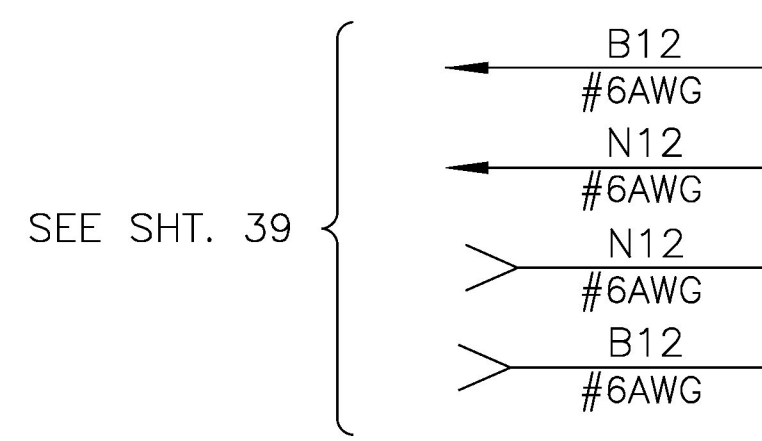
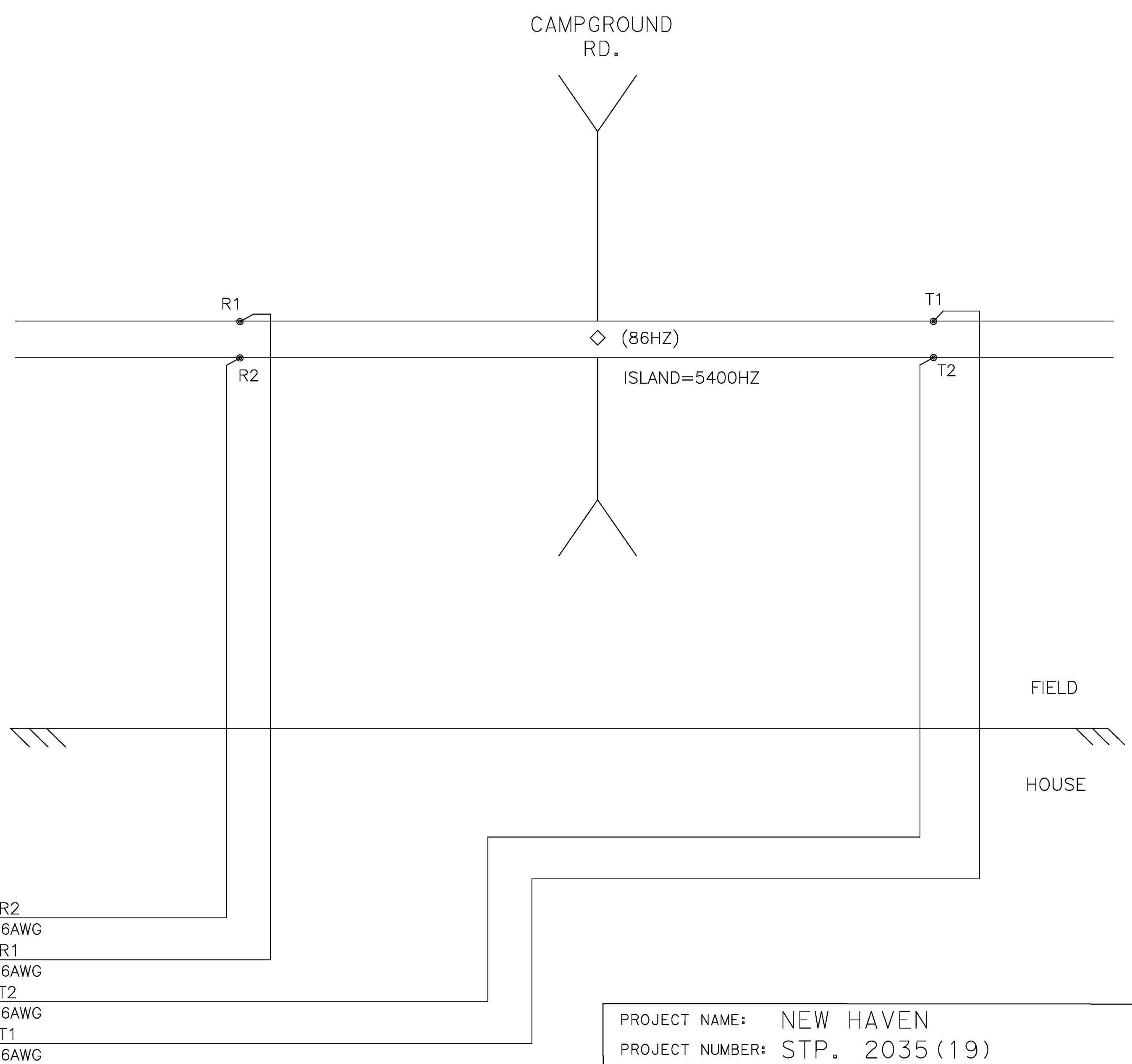
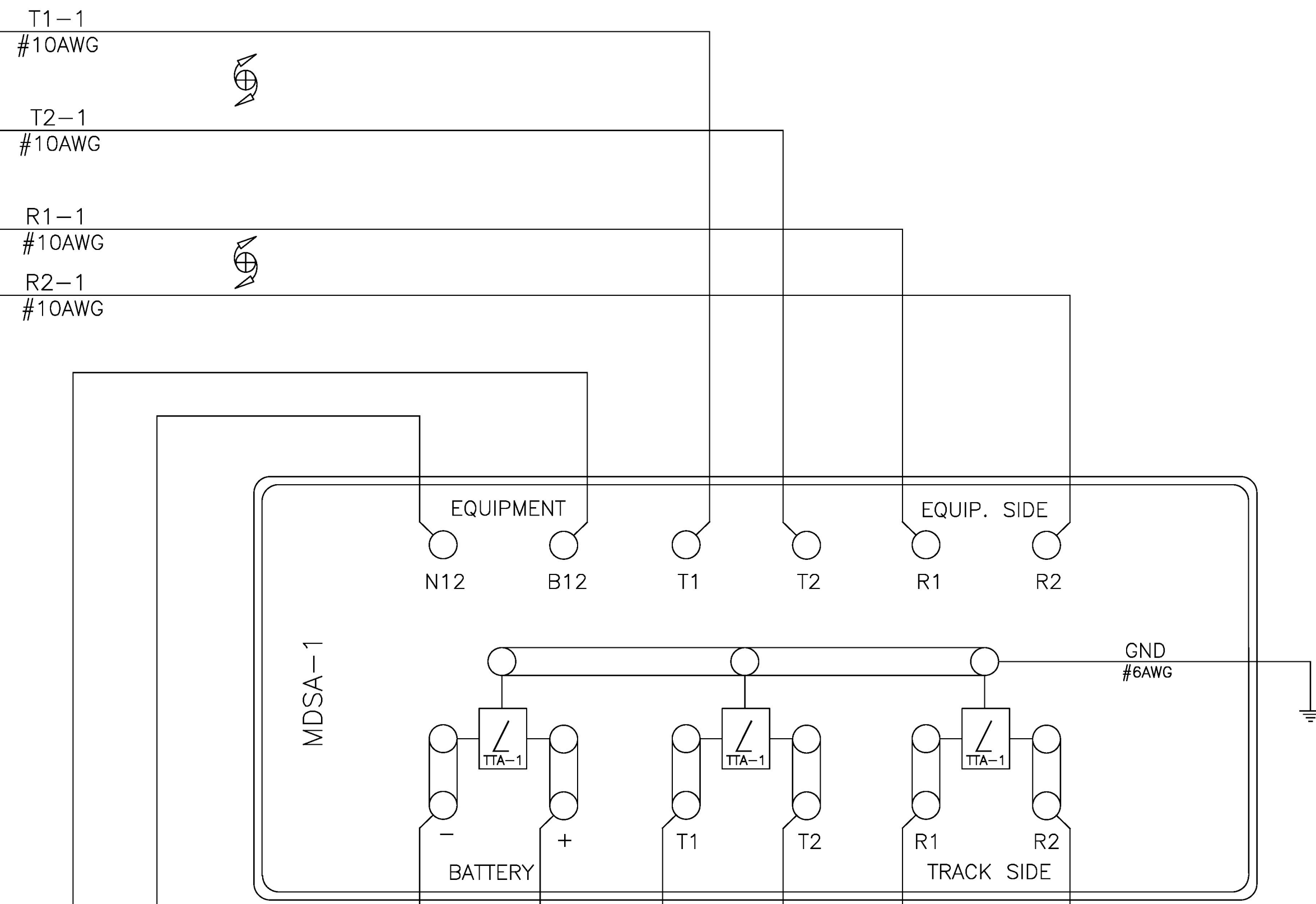
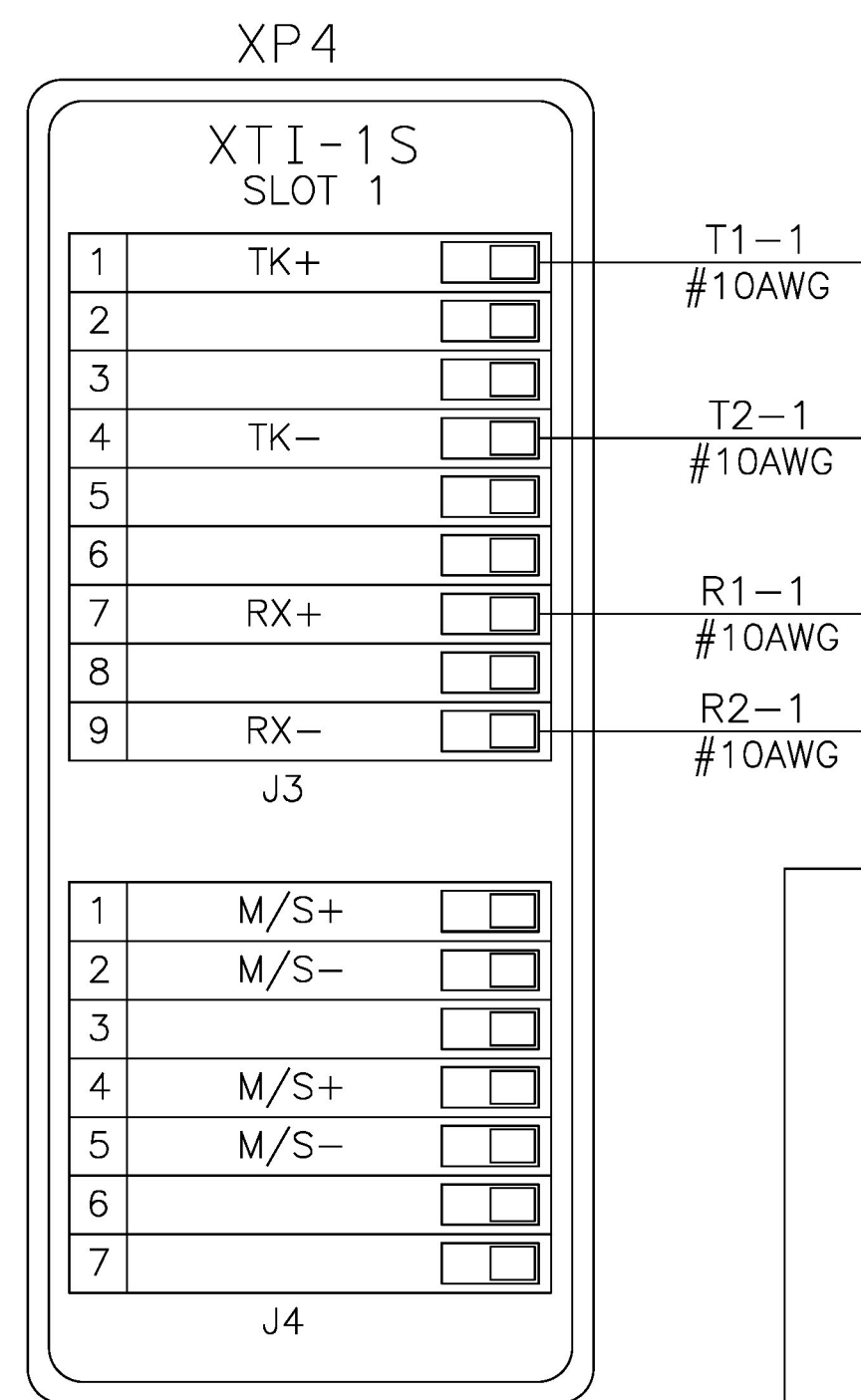
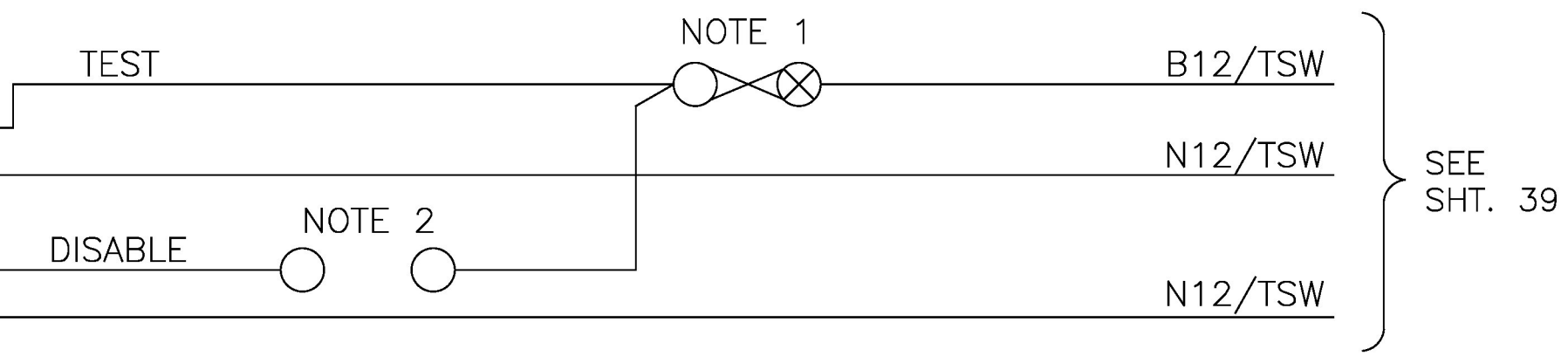


NOTE 1: TEST LINK/GOLD NUT NORMALLY CLOSED. TO ACTIVATE WARNING SYSTEM FOR TEST PURPOSES, OPEN GOLD NUT.

NOTE 2: NORMALLY OPEN. TO DISABLE WARNING SYSTEM, JUMPER TERMINAL POSTS TOGETHER.



PROJECT NAME: NEW HAVEN  
 PROJECT NUMBER: STP. 2035 (19)  
 FILE NAME: TRACK CONNECTIONS.dgn PLOT DATE: 02/15/17  
 PROJECT LEADER: DRAWN BY: J. L. S.  
 DESIGNED BY: D. W. S. CHECKED BY: K. N.  
 SIGNAL PLANS-TRACK CONNECTIONS SHEET 34 OF 42