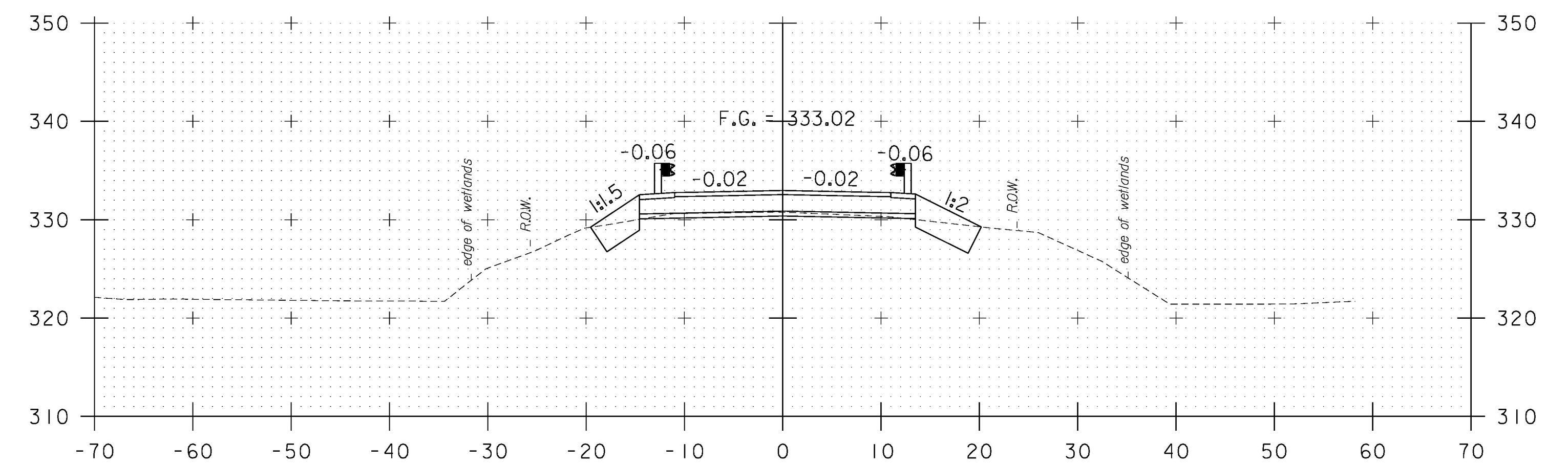
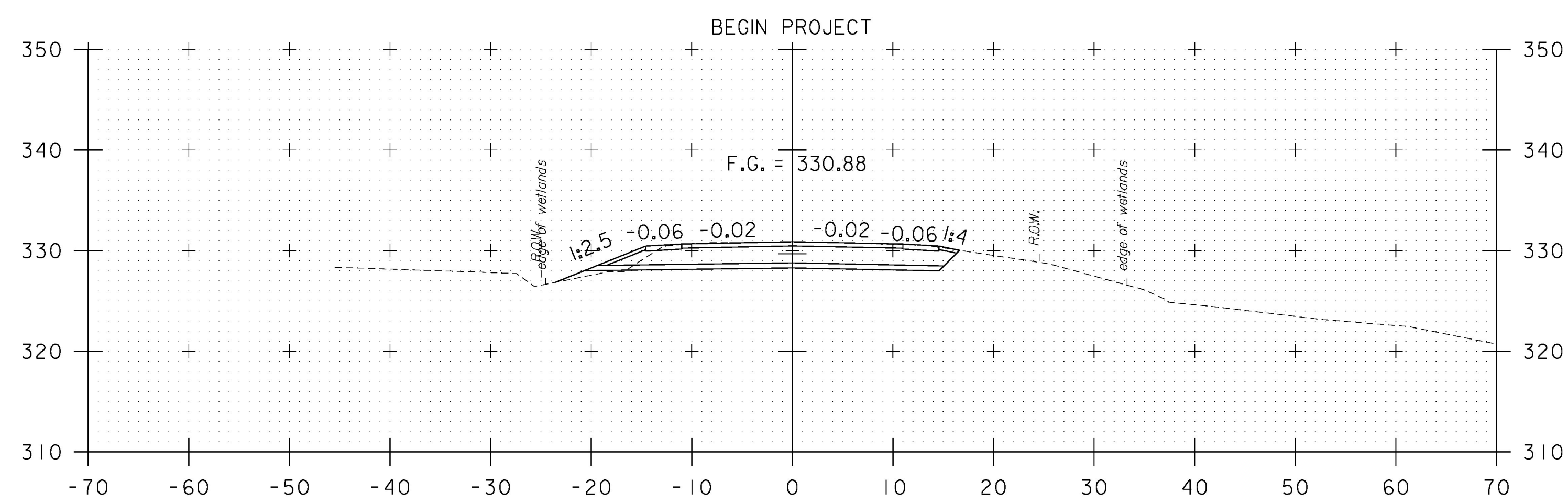


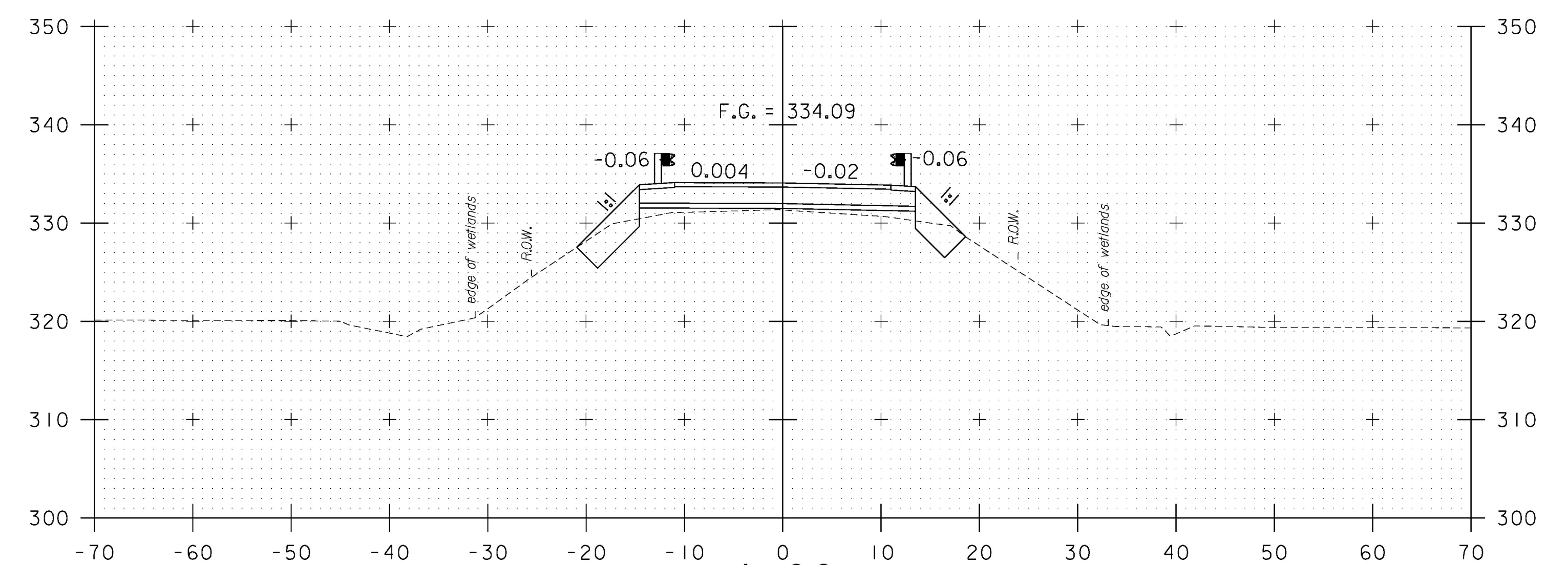
3+00



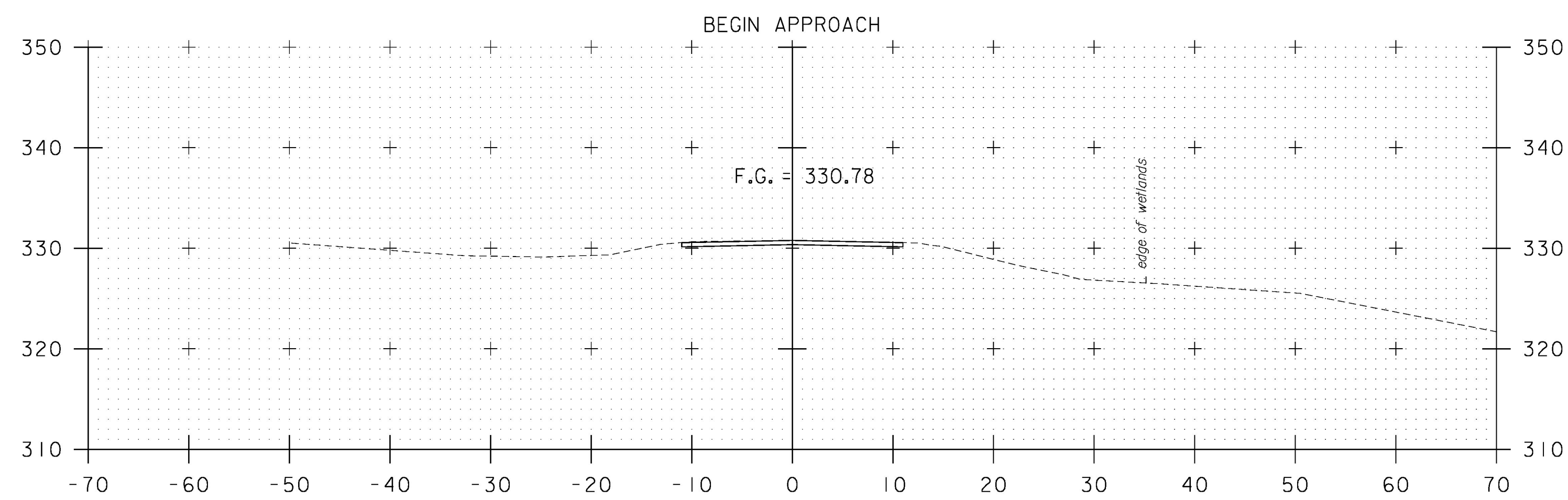
4+50



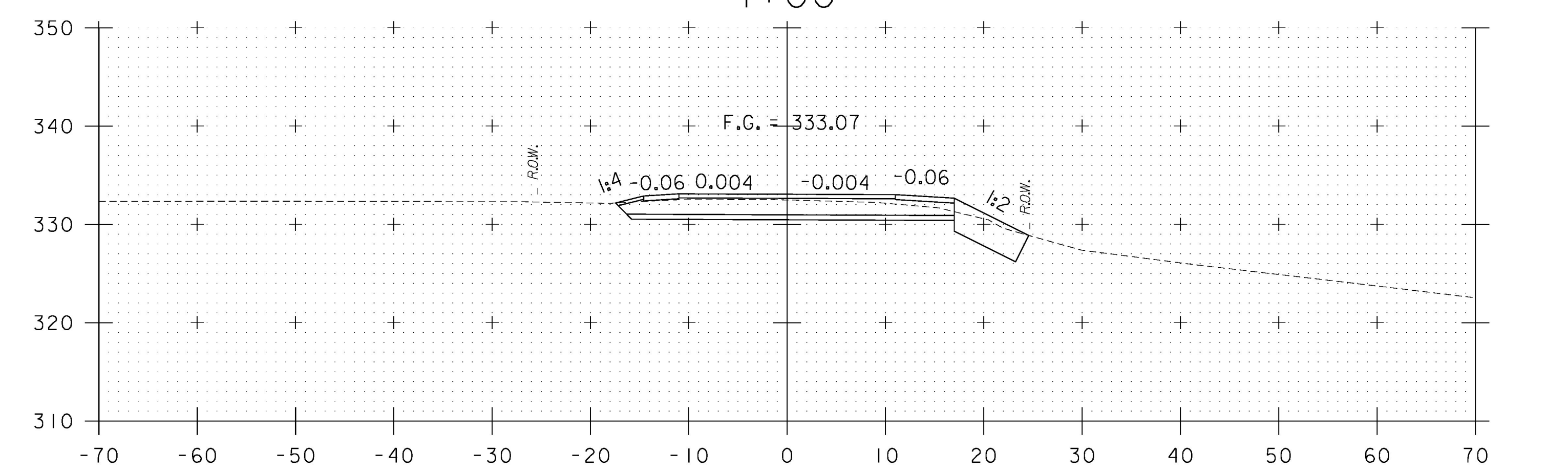
2+50



4+00



2+25



3+50

STA. 2+25 TO STA. 4+50



PROJECT NAME: NEW HAVEN	PLOT DATE: 2/15/2017
PROJECT NUMBER: STP 2035 (19)	DRAWN BY: W. TSE
FILE NAME: z13g606xs.dgn	CHECKED BY: C. GREGORY
PROJECT LEADER: R. O'BLENIS	SHEET 23 OF 42
DESIGNED BY: W. TSE	
ROADWAY CROSS SECTION SHEET 1	