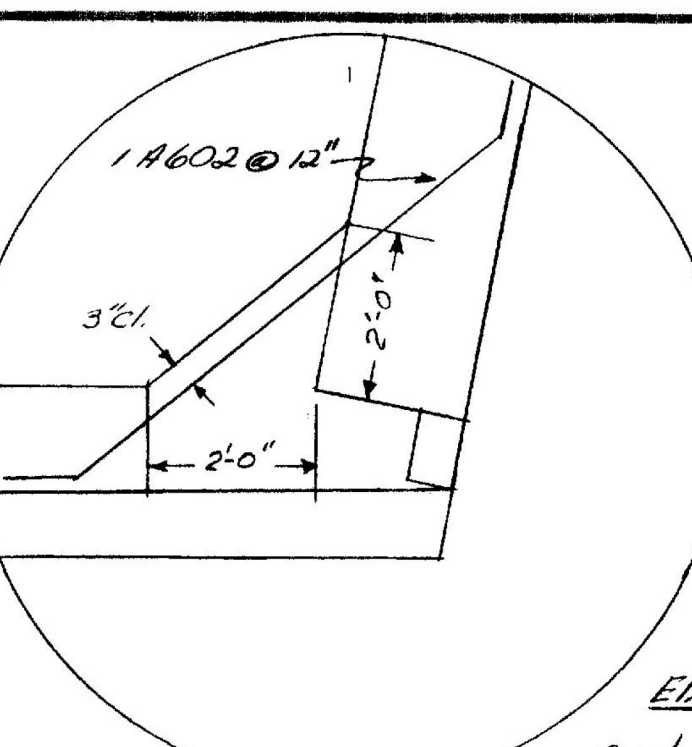
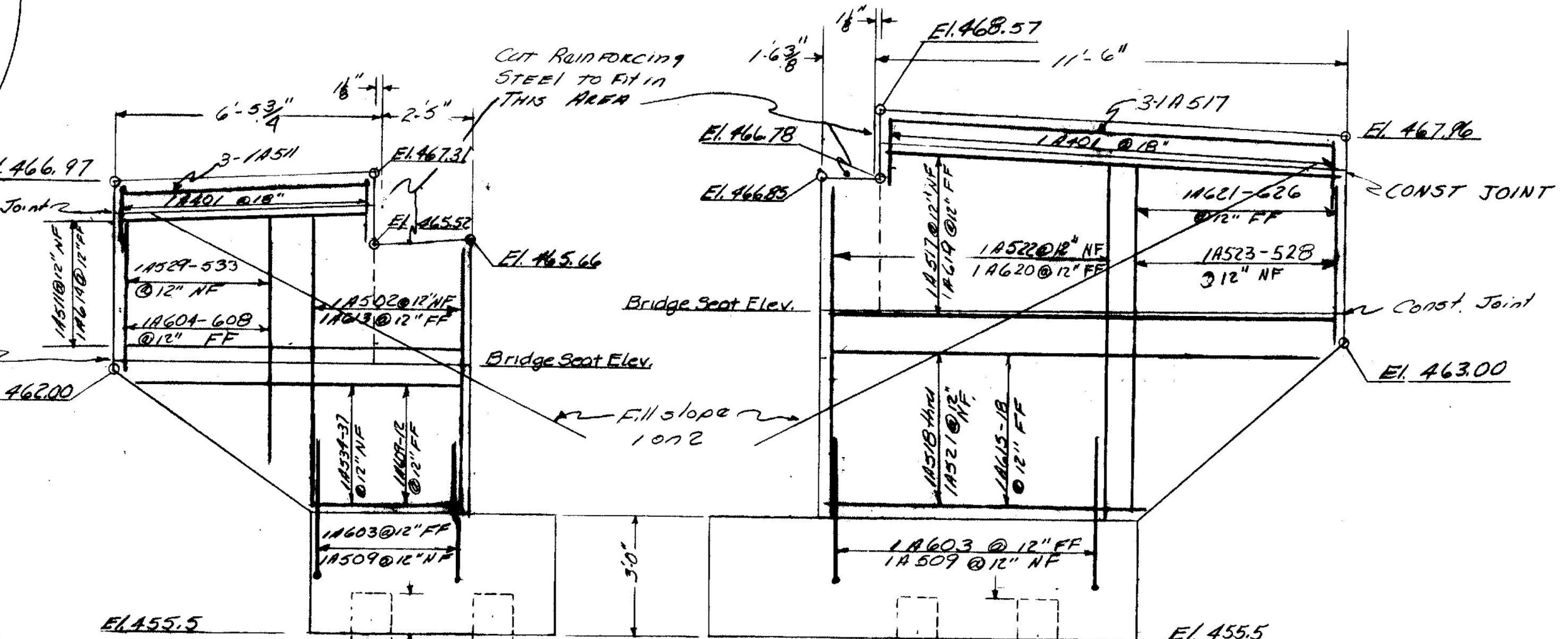


PLAN
SCALE 1/8"=1'

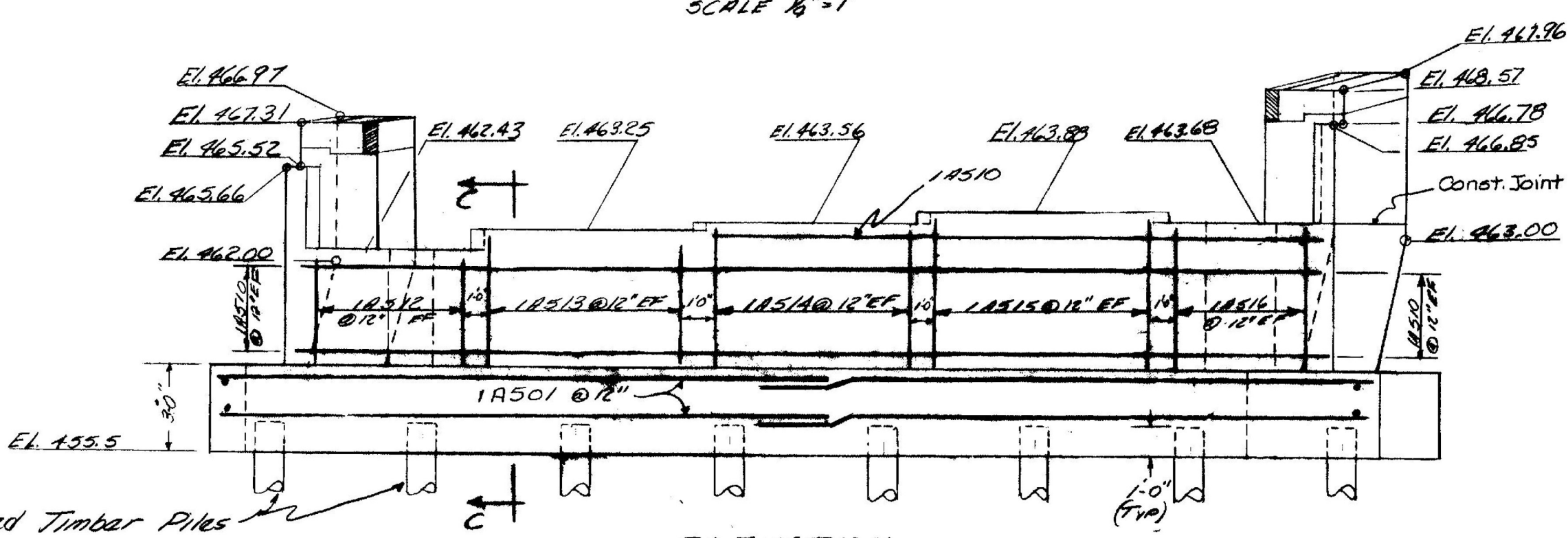


Do not construct above this joint until steel is set and finish grade determined (719)

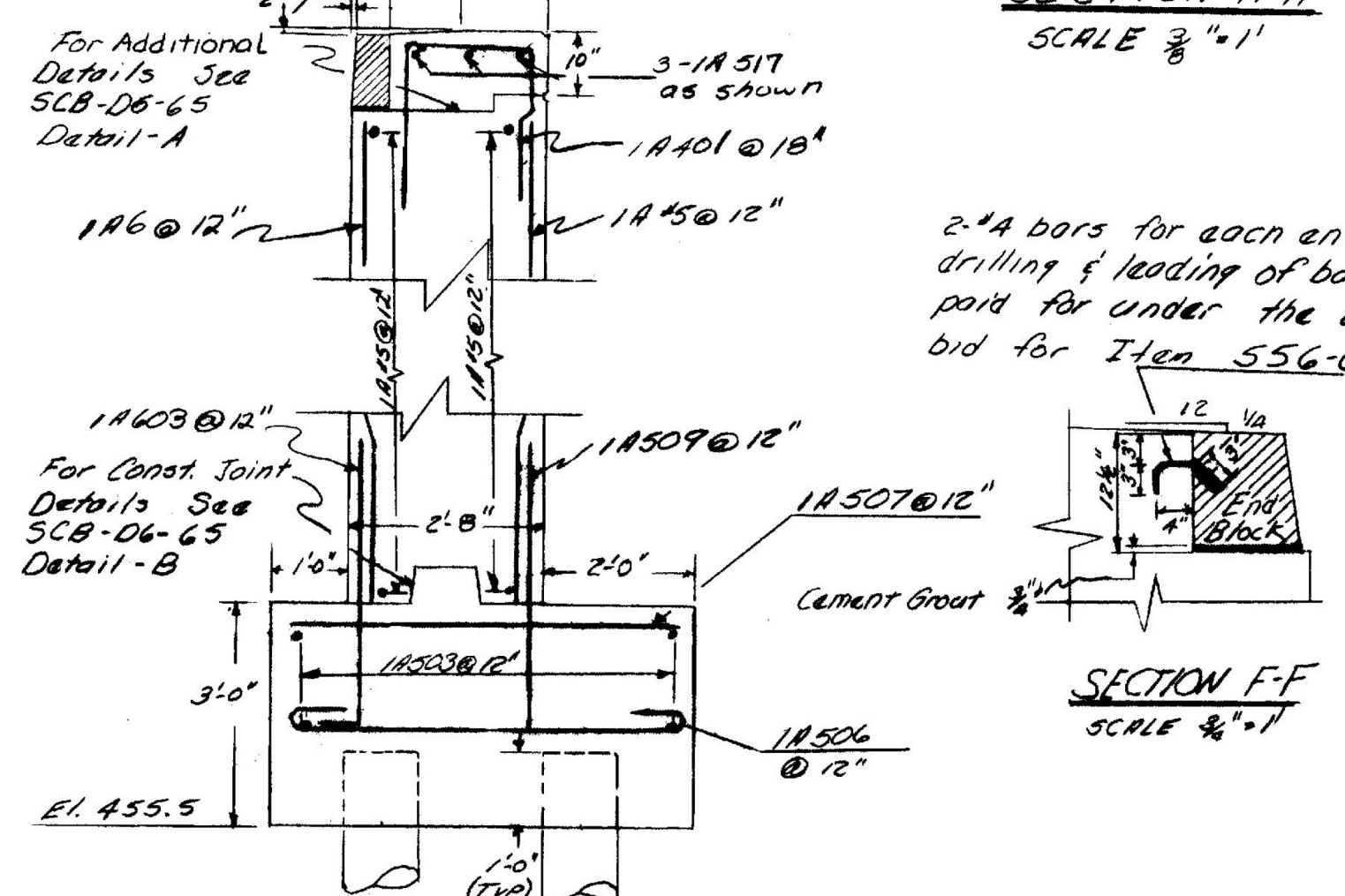


SECTION A-A
SCALE 3/8"=1'

SECTION B-B
SCALE 3/8"=1'

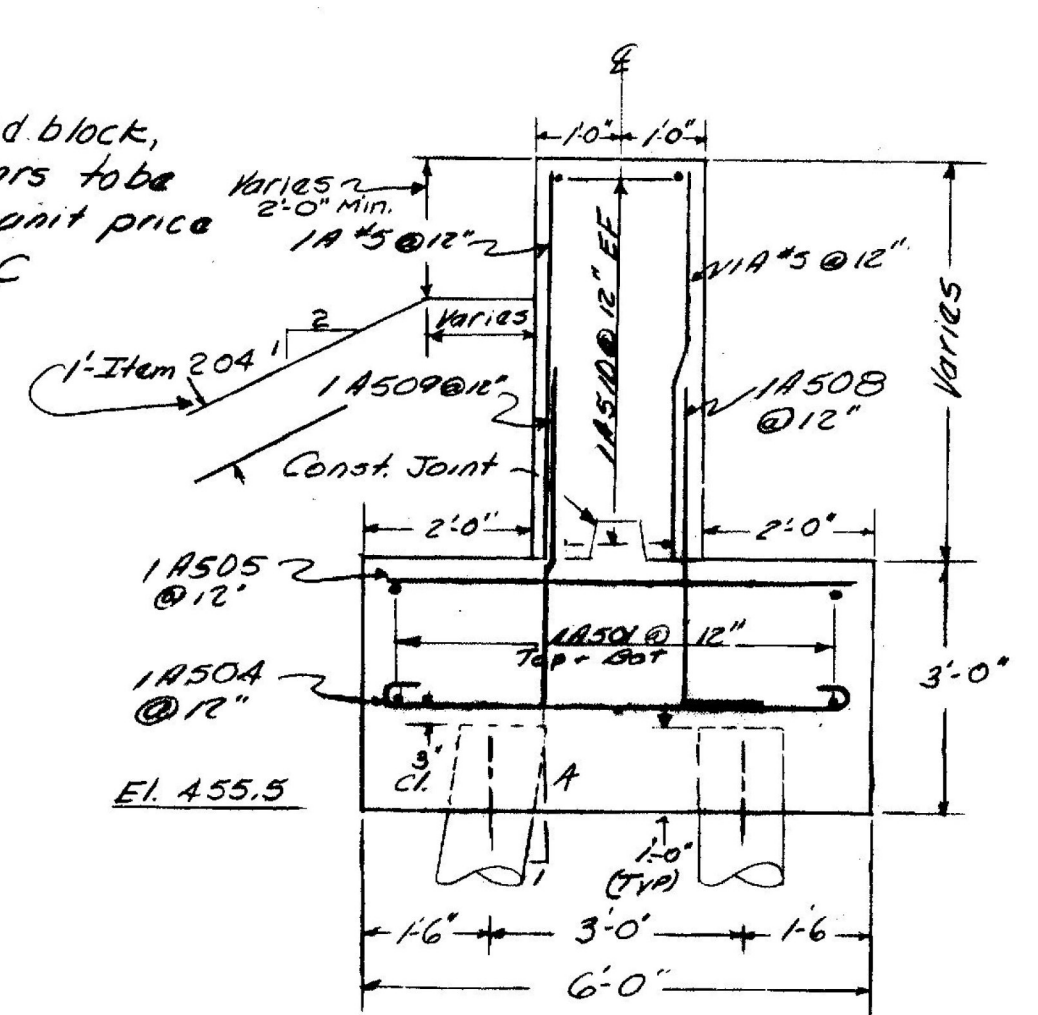


ELEVATION
SCALE 1/4"=1'

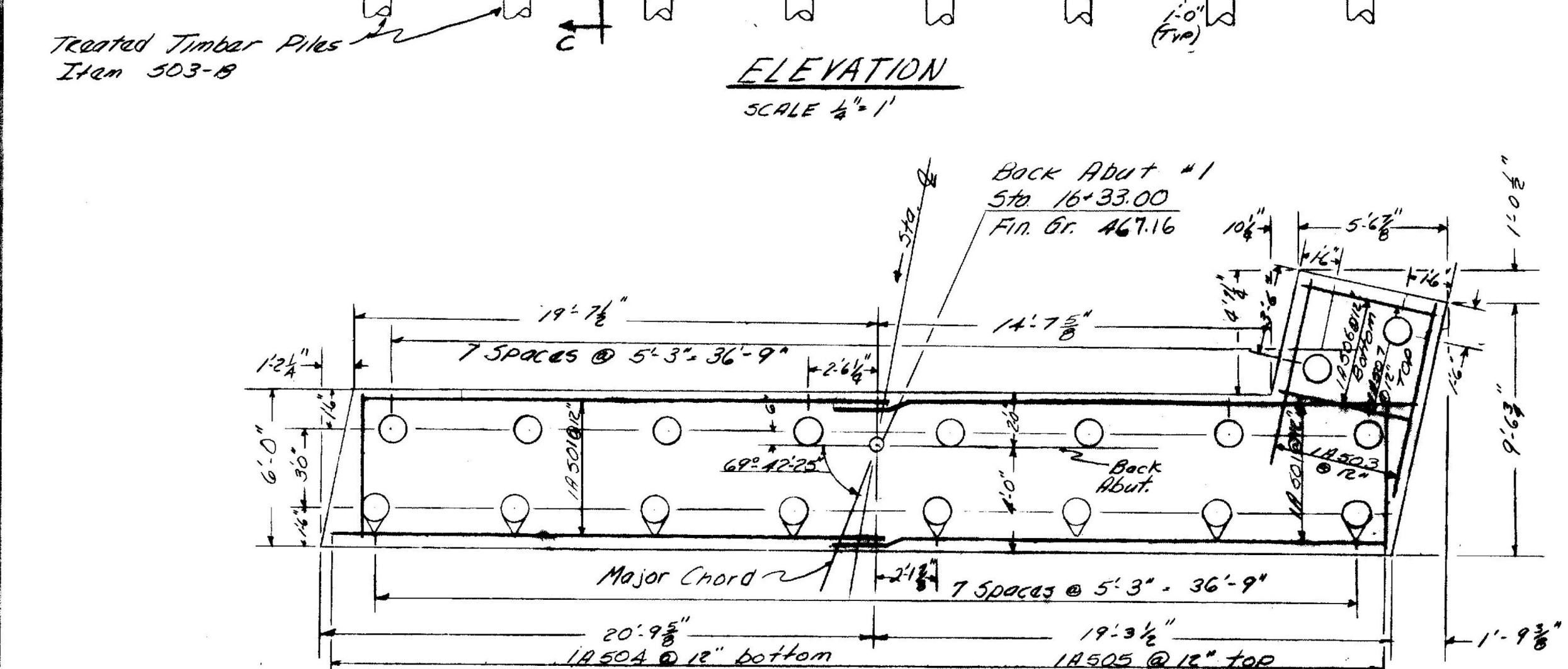


SECTION D-D
SCALE 1/2"=1'
OPPOSITE WING SIMILAR

SECTION F-F
SCALE 3/8"=1'

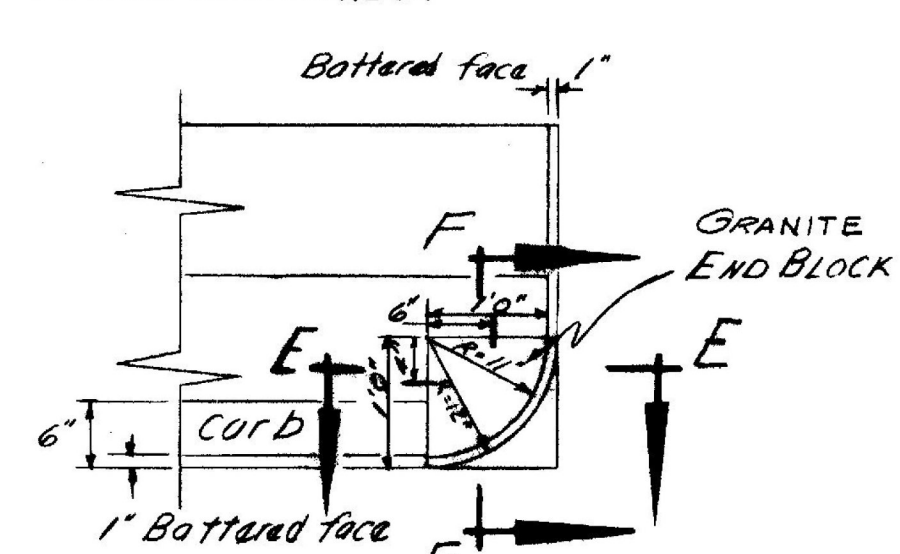


SECTION C-C
SCALE 1/2"=1'



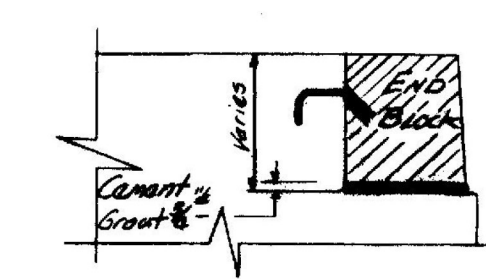
FOOTING & PILE LAYOUT
SCALE 1/4"=1'

▽ INDICATES DIRECTION OF 3/4\"/>



PLAN
SCALE 3/8"=1'

NF - NEAR FACE
FF - FAR FACE
EF - EACH FACE



SECTION E-E
SCALE 3/8"=1'

CASTLETON-RUTLAND
BF MEMB (37)
SHEET 19 OF 28
BRIDGE NO. 2
FOR REFERENCE ONLY

STATE OF VERMONT
DEPARTMENT OF HIGHWAYS
PROJECT CASTLETON-IRA
TOWN OF CASTLETON
ROUTE No. U.S. 4 STA. 391+00
SPANS OVER U.S. Rte. 4
ABUTMENT #1 DETAILS
SCALE AS NOTED
IN CHARGE R.L. MERCHANT
DRAWN BY P. FLANDERS CHECKED BY R. LADD
PROJECT No. AP-020-1(4)
SHEET 62 OF 301 AP 105