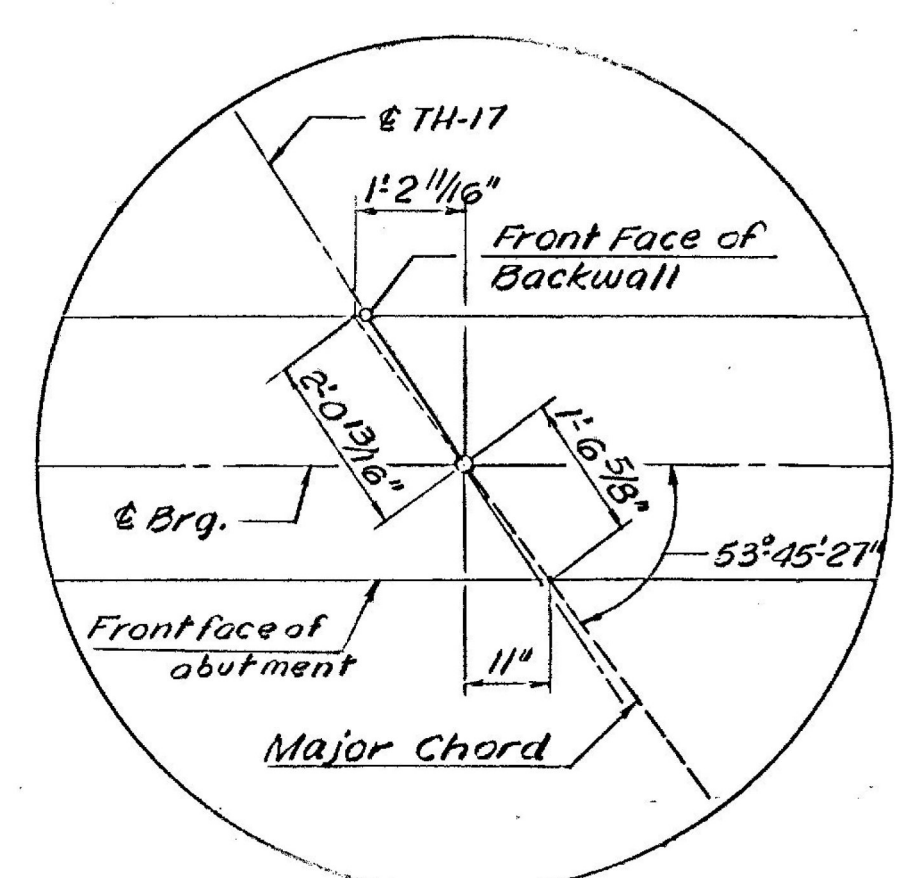
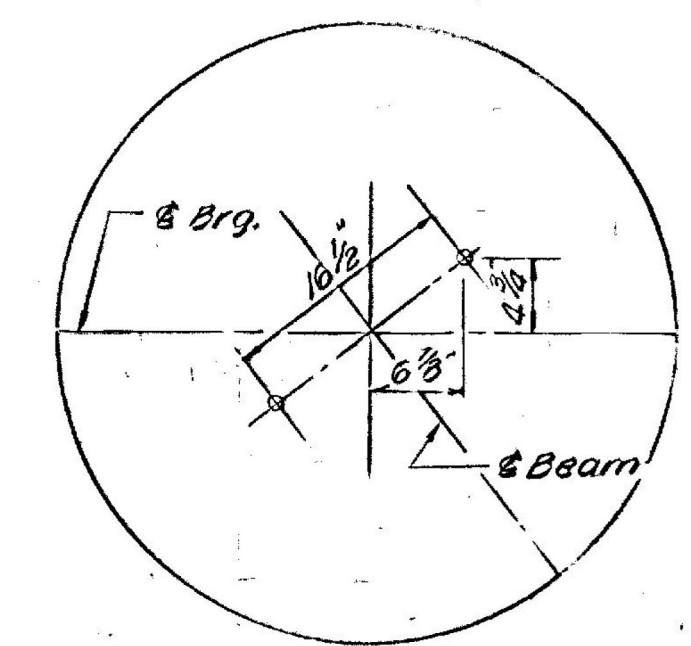


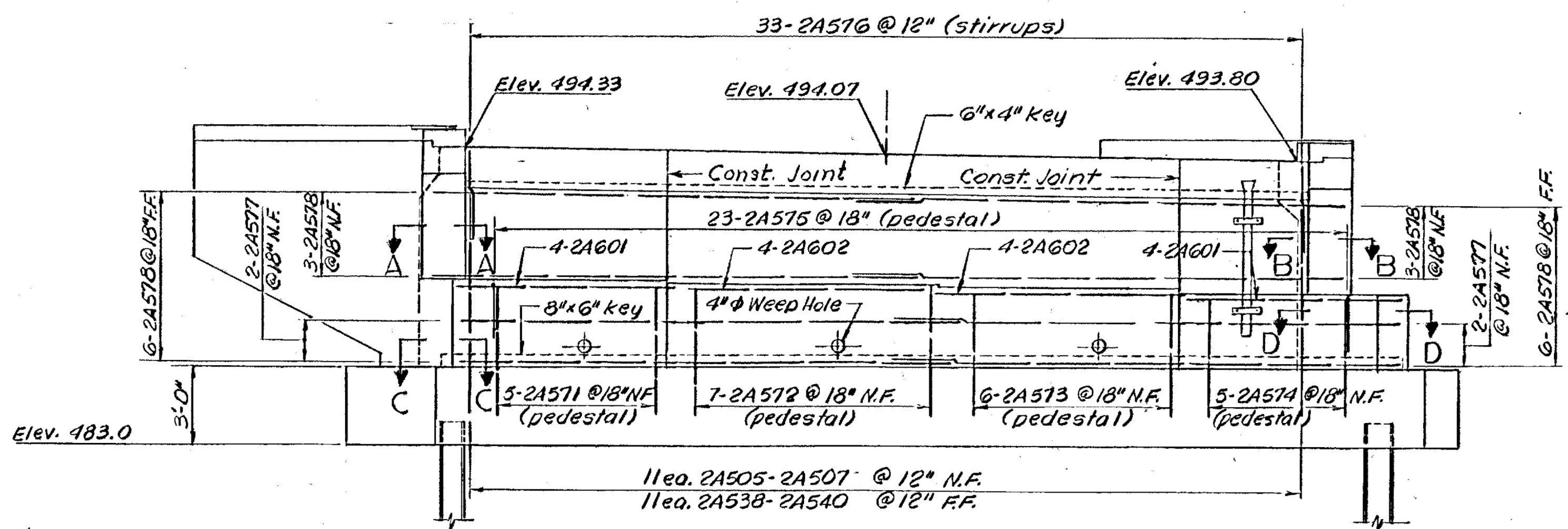
PLAN  
Scale: 1/4" = 1'-0"



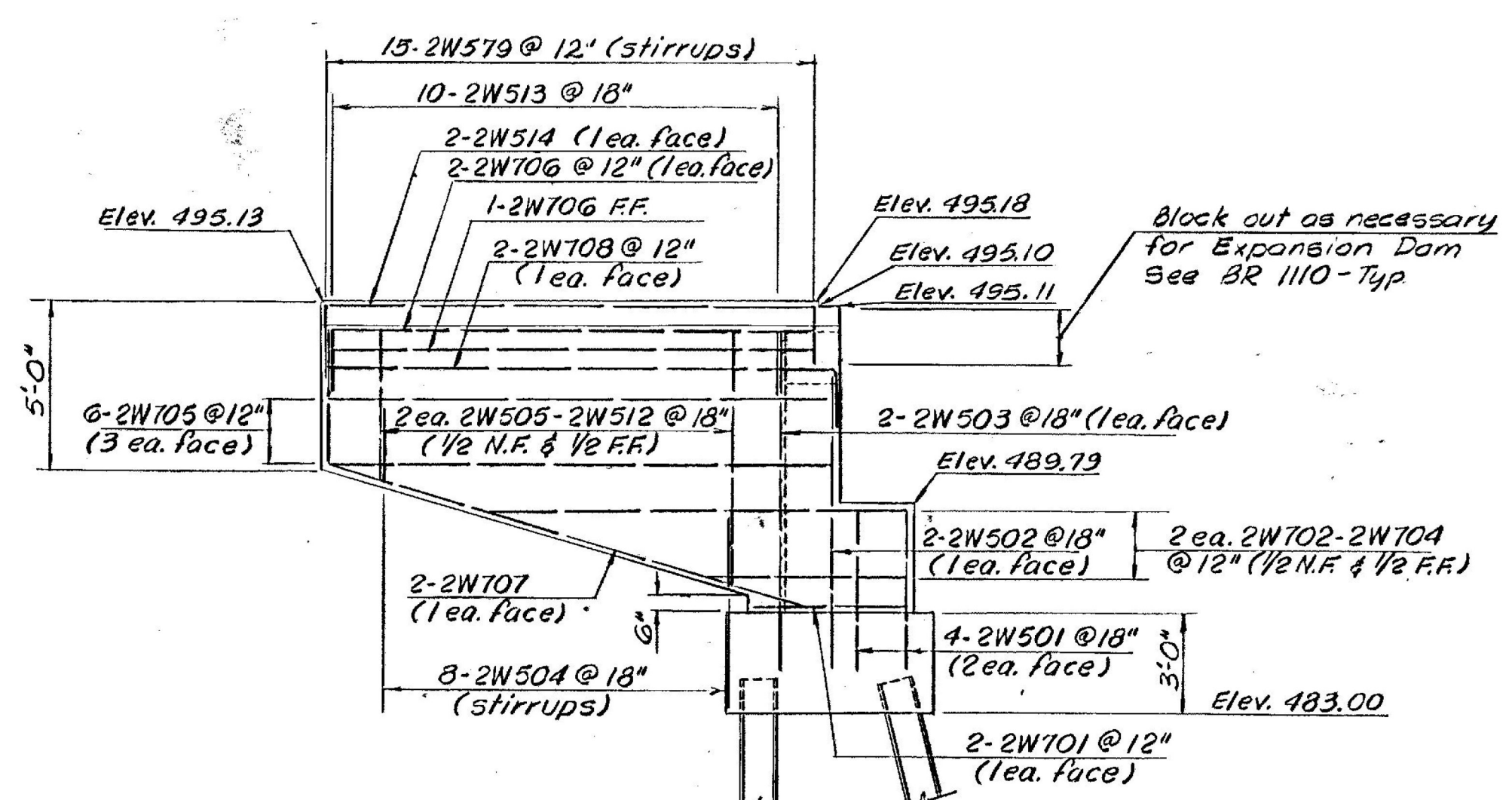
DETAIL A  
No Scale



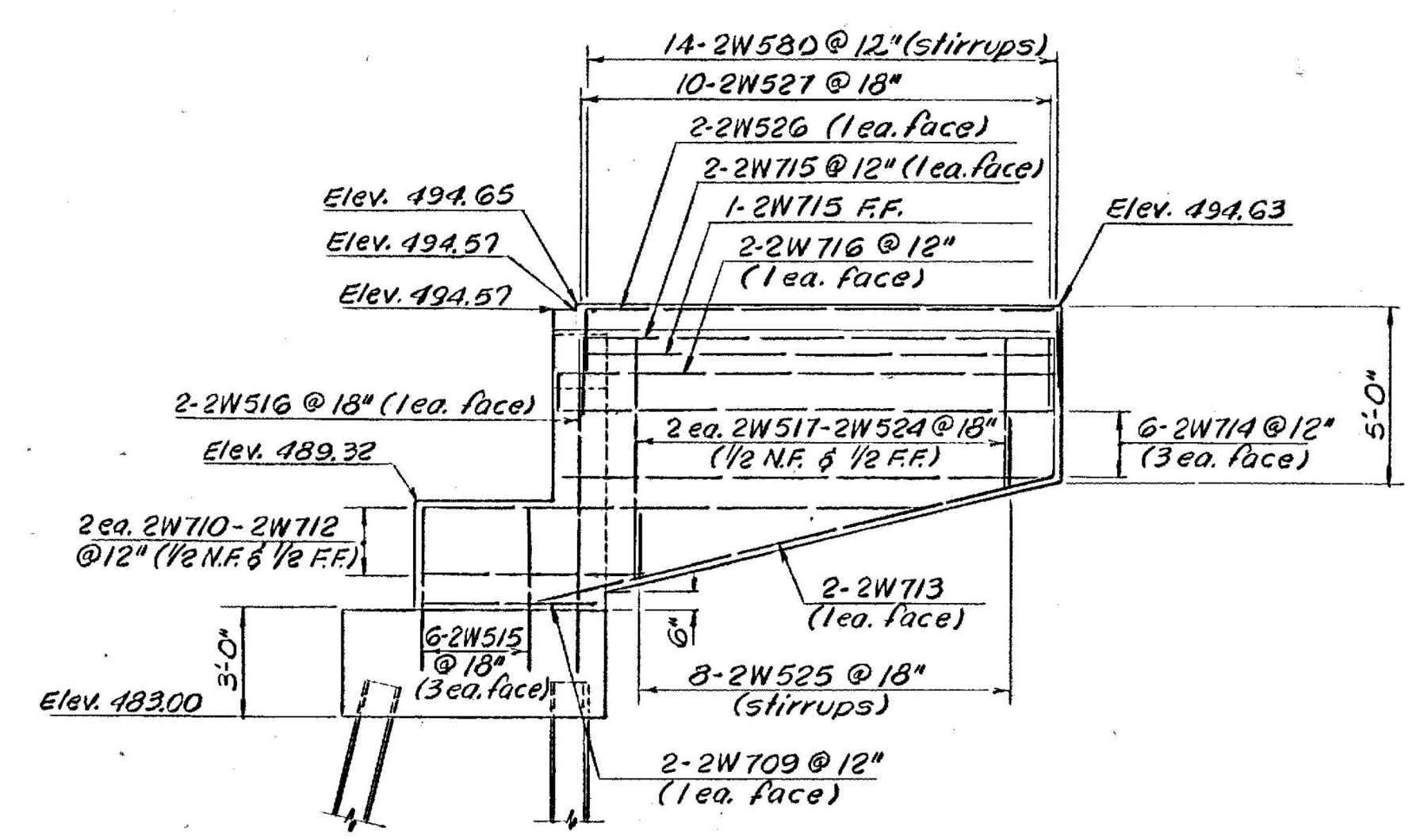
DETAIL B  
ANCHOR BOLT LAYOUT  
No Scale



ELEVATION  
Scale: 1/4" = 1'-0"



ELEVATION-WINGWALL 2A  
Scale: 1/4" = 1'-0"



ELEVATION-WINGWALL 2B  
Scale: 1/4" = 1'-0"

- NOTES
1. For General Notes, see BR 1101.
  2. For sections A-A thru D-D, see BR 1111.
  3. For additional notes, see BR 1111.
  4. For Downspout details, see BR 1108

Added Abutment Excavation and Backfill Detail.  
W. Tripp 1-20-70

Revised Curb Stirrup Bars & Abut. Stem Bar Marks  
W. Tripp 10-29-69

VERMONT  
STATE HIGHWAY DEPARTMENT  
TOWN OF CASTLETON  
U.S. ROUTE 4  
TH-17 RELOC. OVER U.S. RTE. 4 RELOC.  
ABUTMENT NO. 2 DETAILS

McFARLAND-JOHNSON  
CONSULTING ENGINEERS  
BINGHAMTON, NEW YORK

DESIGNED WDS	CHECKED REC	DATE 7-12-68
DRAWN RMG	IN CHARGE HGC	SCALE AS SHOWN
PROJECT NO. F020-1(7) SH 84 OF 204		

CASTLETON-RUTLAND  
BF MEMB (37)  
SHEET 16 OF 28  
BRIDGE NO. D11  
FOR REFERENCE ONLY

CONTRACT NO. BR 1112