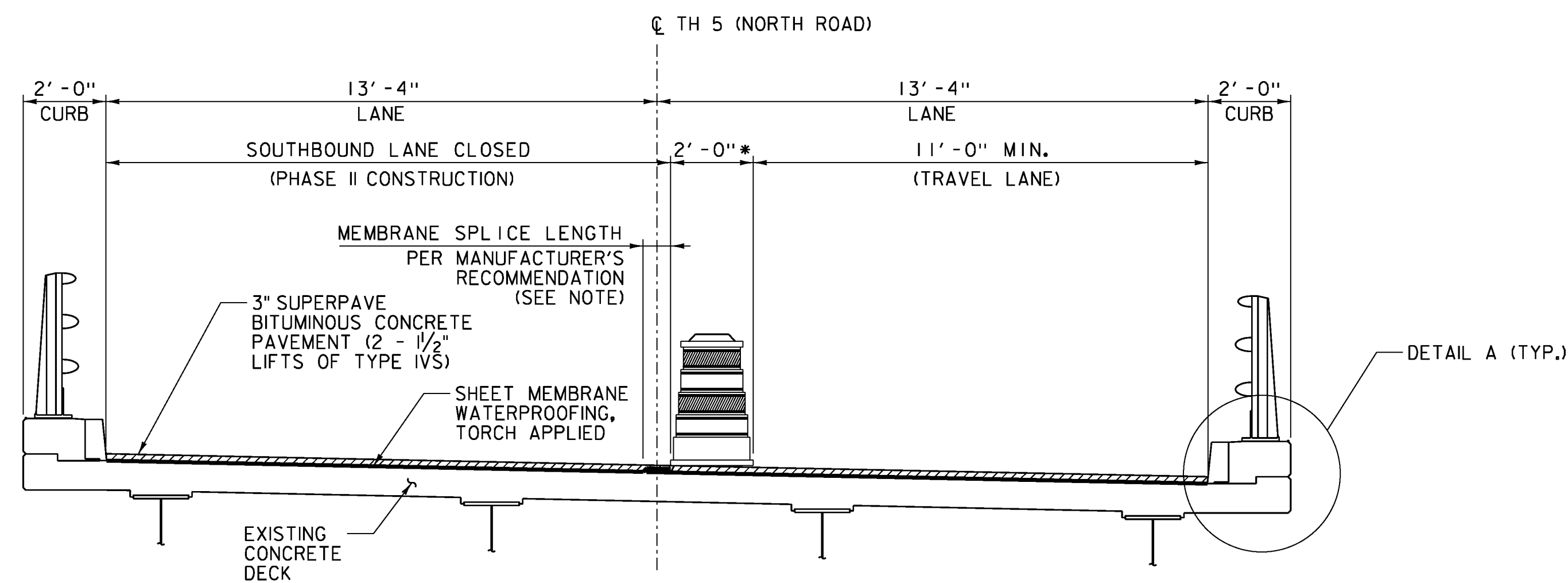
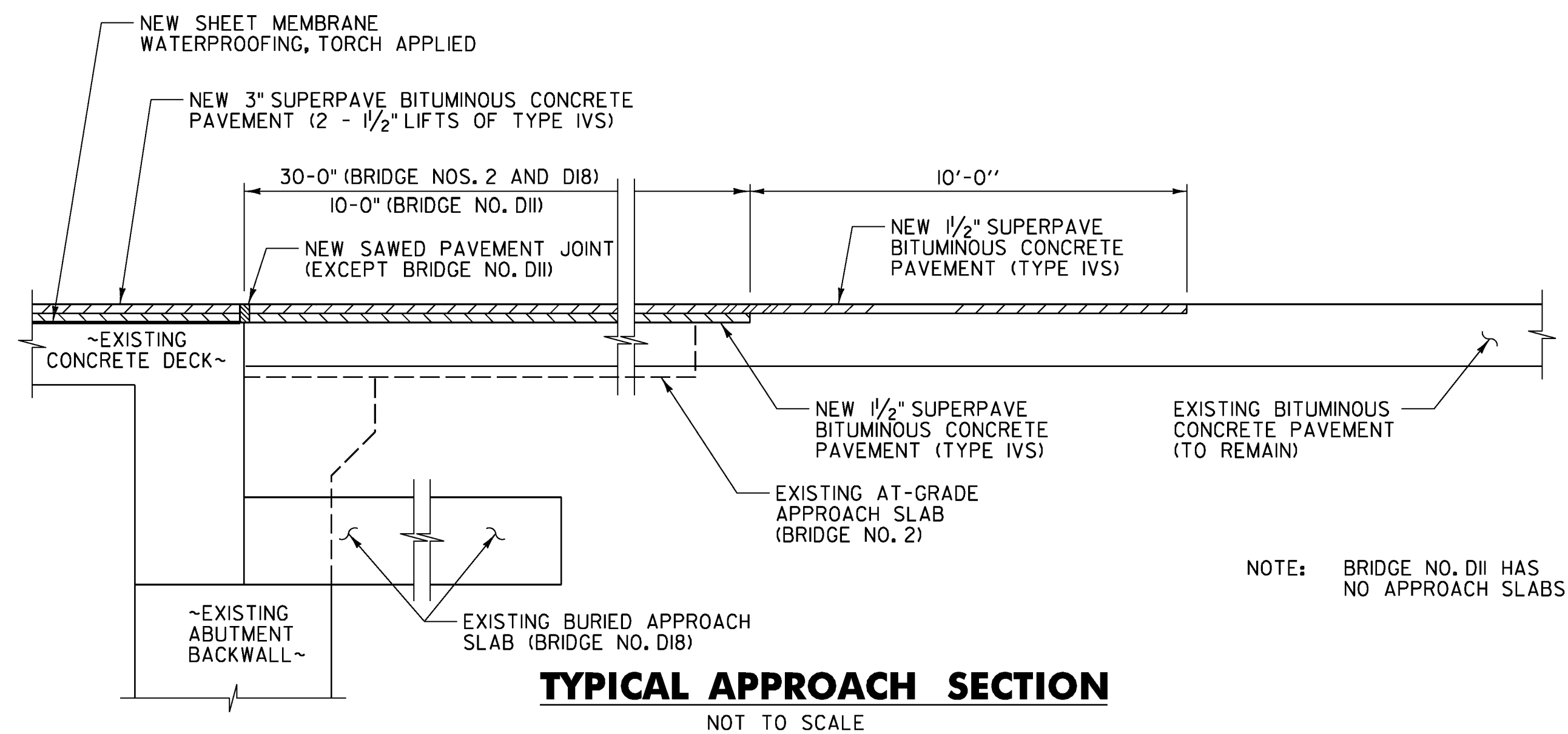


TYPICAL SECTION - PHASE I CONSTRUCTION - BRIDGE NO. D11
NOT TO SCALE

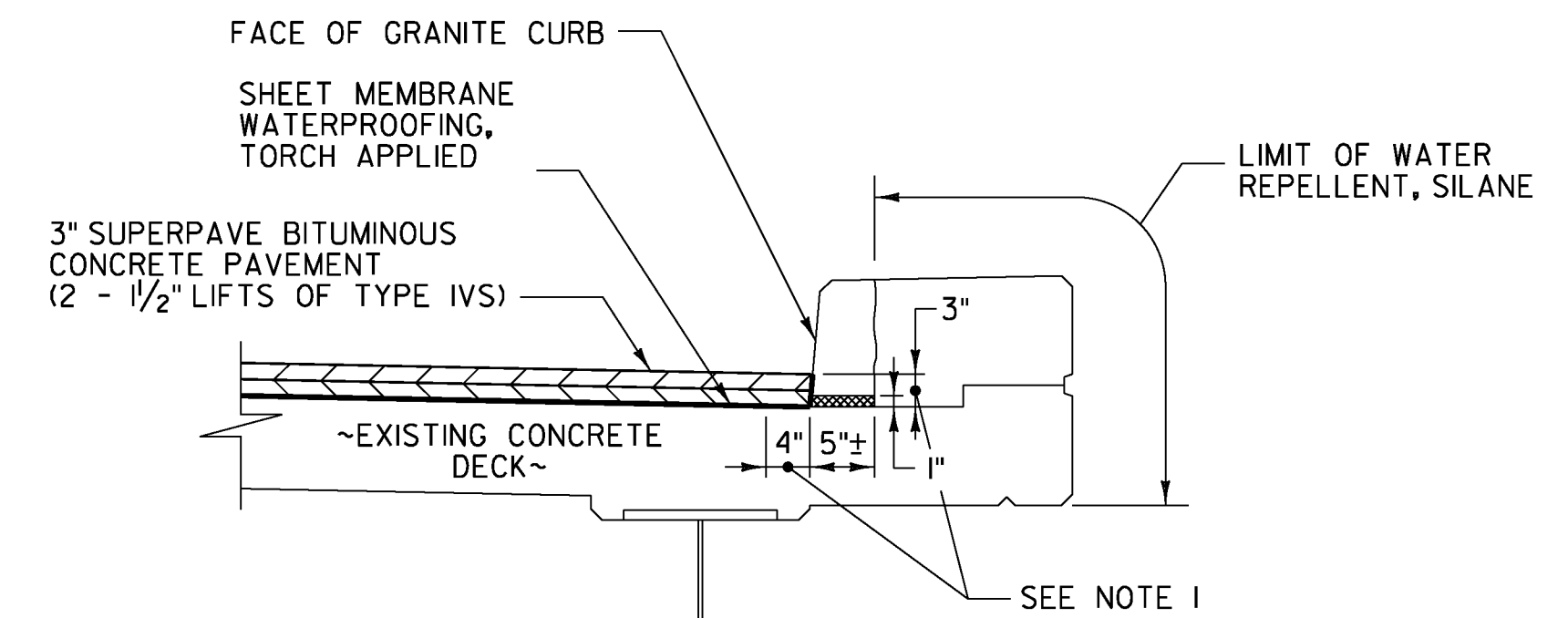


TYPICAL SECTION - PHASE II CONSTRUCTION - BRIDGE NO. D11
NOT TO SCALE

- NOTE: PLACEMENT OF THE MEMBRANE SHALL START AT THE LOW SIDE OF THE BRIDGE. THE MEMBRANE SPLICE SHALL BE AS SHOWN ABOVE, WITH THE HIGH SIDE OVERLAPPING THE LOW SIDE.
- TEMPORARY BARRELS SHALL BE MOVED AND REPLACED AS NECESSARY TO ACCOMMODATE OVERSIZED VEHICLES AND CONSTRUCTION ACTIVITIES. PAYEMENT SHALL BE INCIDENTAL TO ITEM 641.10.



TYPICAL APPROACH SECTION
NOT TO SCALE



DETAIL A NOTES:

- INDICATES AREA ALONG DECK AND UP FACE OF CURB FOR PLACEMENT OF TWO COATS OF POLYURETHANE MEMBRANE.
- POLYURETHANE MEMBRANE AND BLAST CLEANING SHALL BE INCLUDED IN THE UNIT PRICE BID FOR SHEET MEMBRANE WATERPROOFING, TORCH APPLIED.
- SHEET MEMBRANE WATERPROOFING SHALL EXTEND TO FACE OF CURB AS SHOWN.
- IN ADDITION TO THE REQUIREMENTS OF SUBSECTION 519.04, BLAST CLEAN 2 1/2" UP THE FACE OF CURB PRIOR TO PLACING THE MEMBRANE.
- REPOINTING OF THE GRANITE CURB SHALL BE REQUIRED AND PAID FOR UNDER ITEM 616.225, "REPOINTING GRANITE BRIDGE CURB". THE QUANTITY FOR THIS ITEM AS SHOWN ON THE QUANTITY SHEET IS ESTIMATED.

DETAIL A
NOT TO SCALE

MATERIAL TOLERANCES (IF USED ON PROJECT)	
SURFACE	
- PAVEMENT (TOTAL THICKNESS)	+/- 1/4"
- AGGREGATE SURFACE COURSE	+/- 1/2"
SUBBASE	+/- 1"
SAND BORROW	+/- 1"

BRIDGE LENGTH AND WIDTH (CURB TO CURB)		
BRIDGE NO.	WIDTH (CURB TO CURB) (FEET)	LENGTH (FEET)
D11	26.67	408.41
2	30.00	261.11
D18	26.67	371.21

SAWED PAVEMENT JOINT REPLACEMENT SCHEDULE						
BRIDGE NO.	ABUT. 1	PIER 1	PIER 2	PIER 3	PIER 4	ABUT. 2
D11	-	-	-	-	-	-
2	32 LF	-	-	-	-	32 LF
D18	33 LF	-	-	-	-	33 LF

PROJECT NAME: CASTLETON-RUTLAND
 PROJECT NUMBER: BF MEMB(37)
 FILE NAME: z13b116-sect.dgn
 PROJECT LEADER: JPB
 DESIGNED BY: NDC
 BITUMINOUS CONCRETE DETAILS SHEET 1
 PLOT DATE: 3/21/2014
 DRAWN BY: MWS
 CHECKED BY: SRB
 SHEET 7 OF 28