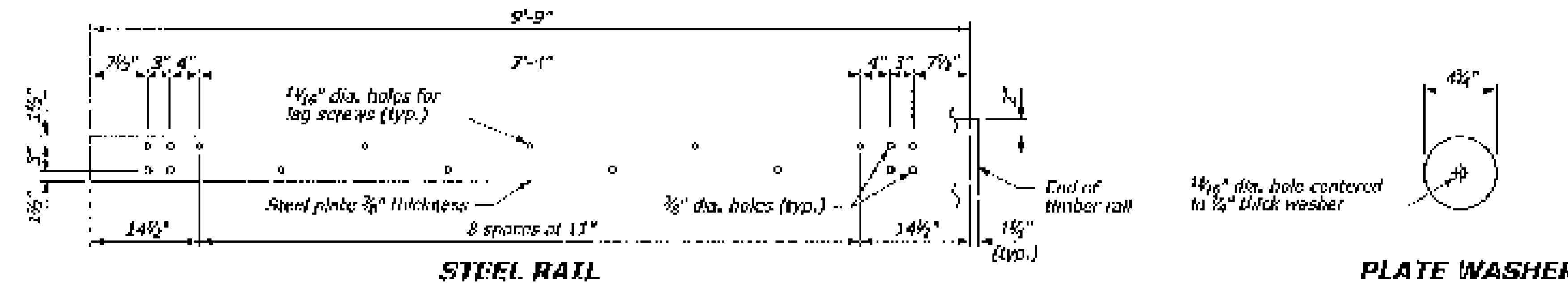
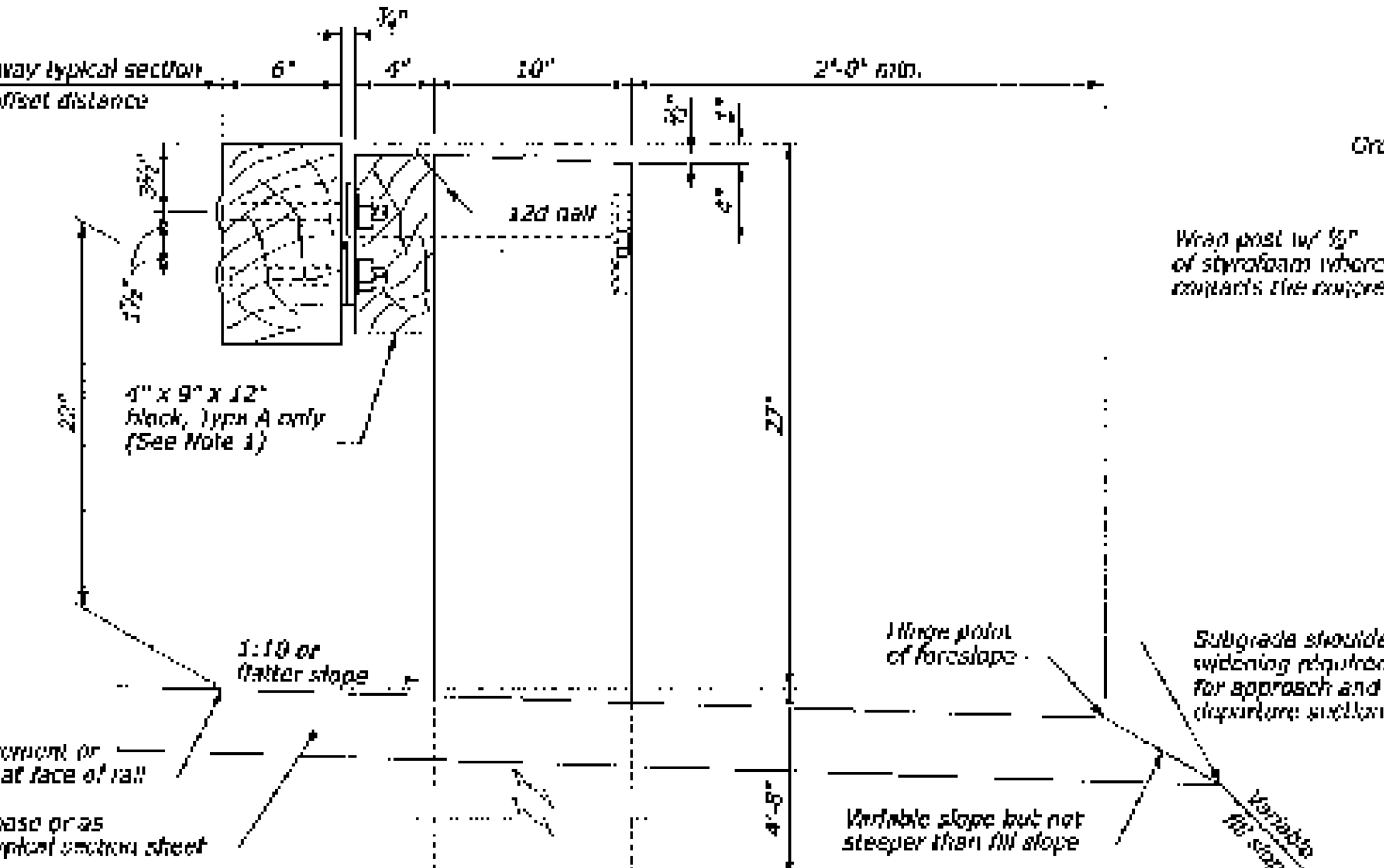
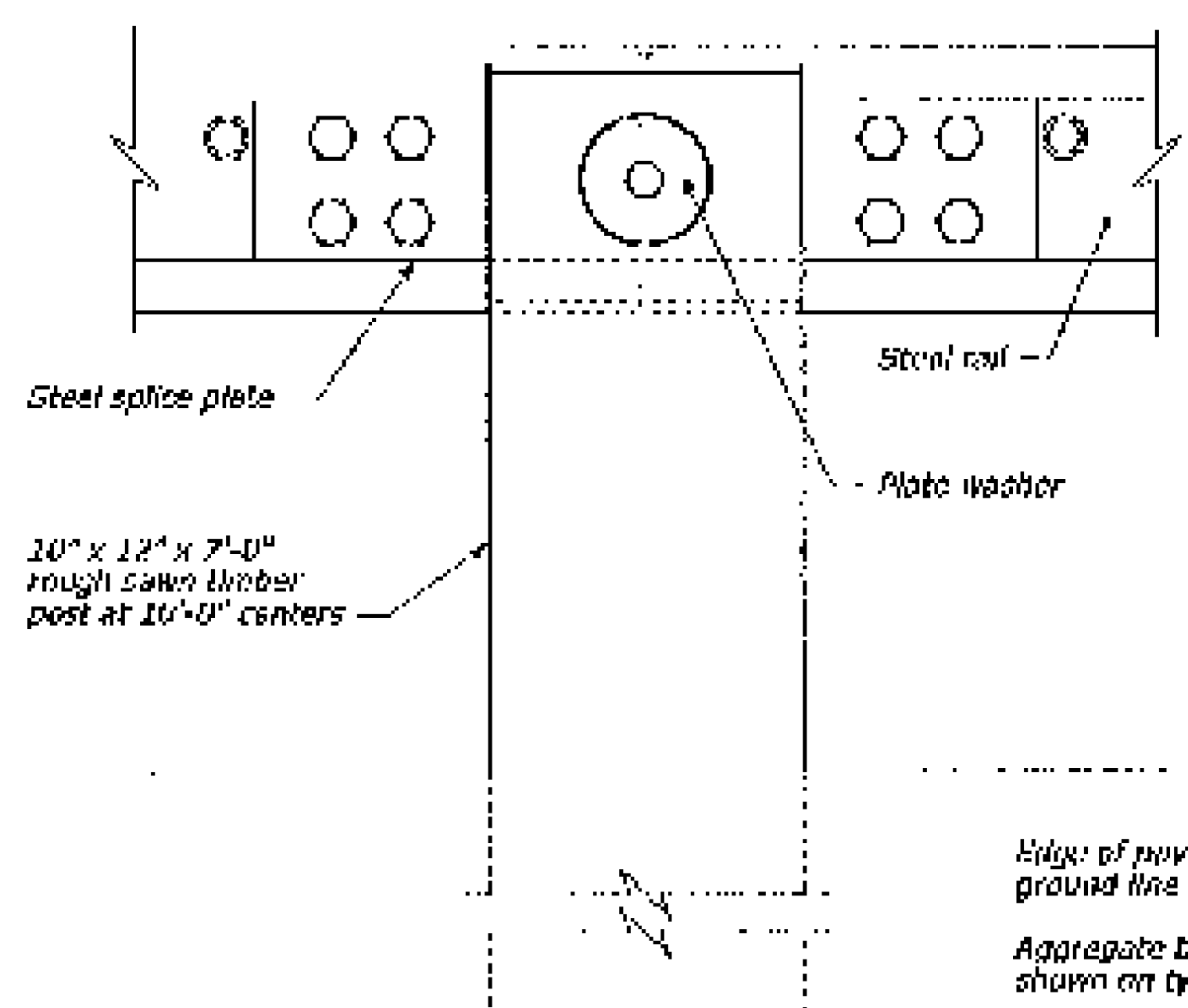
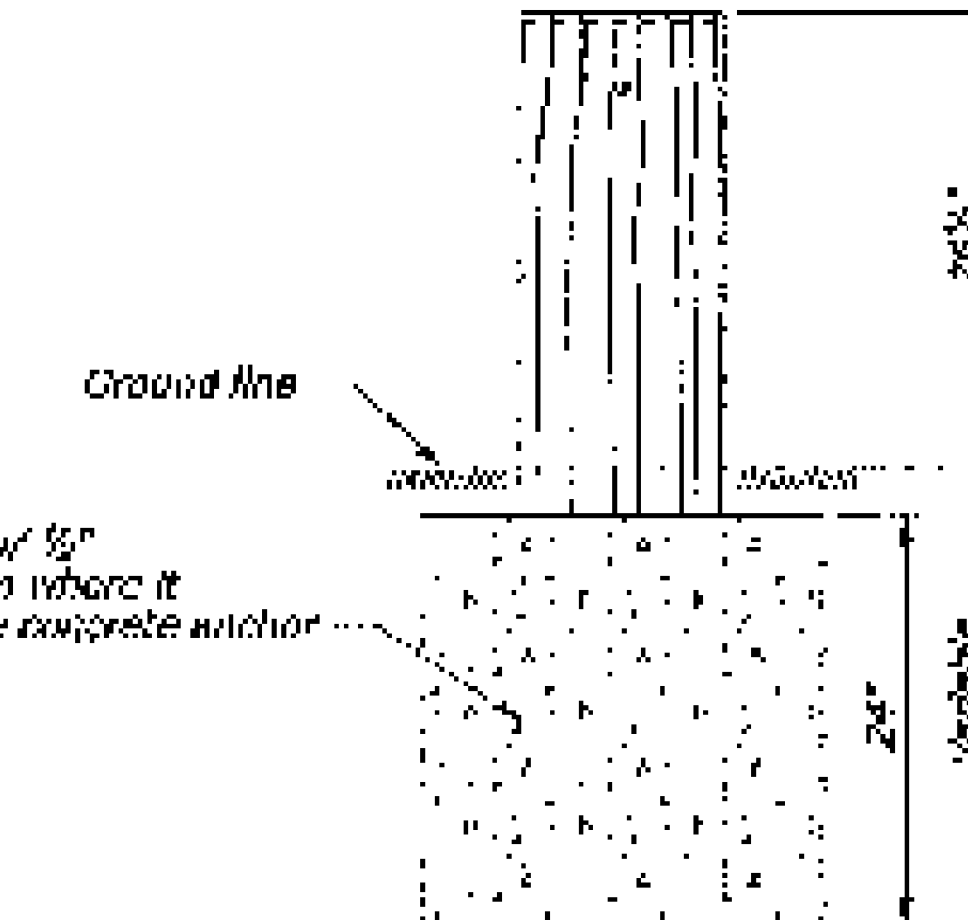
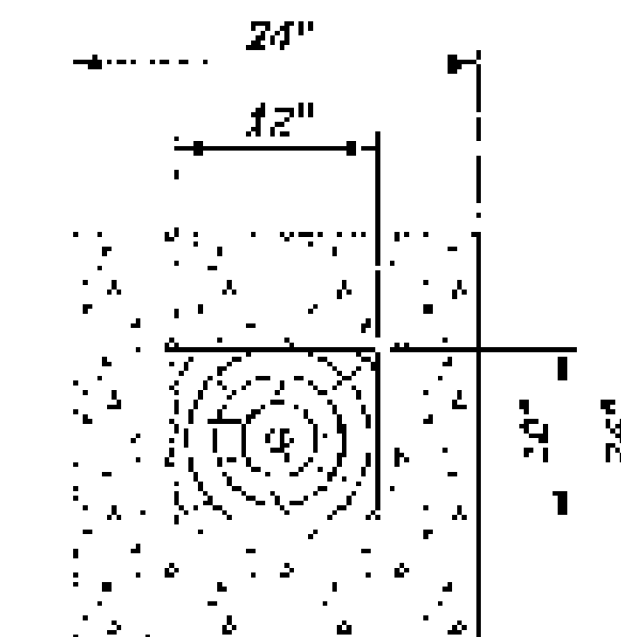
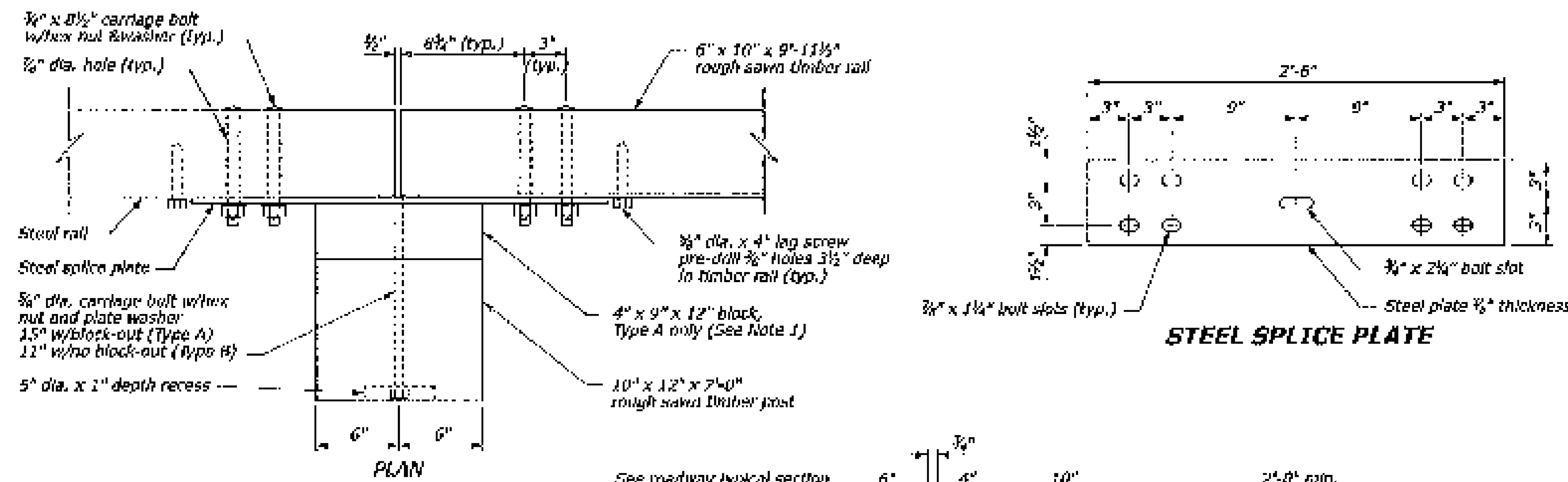


STATE	PROJECT	SHEET NUMBER
-------	---------	--------------



- NOTE:**
1. Use the Type A, blocked-out, system or the Type B, non blocked-out, system as specified in the plans.
 2. Place a terminal section (See Standards 617-61 at non/level approach).
 3. See additional notes on sheet 67.



24" dia. round timber is an acceptable alternative. Reduced size acceptable in solid rock.

CONCRETE ANCHOR FOR SHORT GUARDRAIL POST

U.S. DEPARTMENT OF TRANSPORTATION FEDERAL HIGHWAY ADMINISTRATION FEDERAL LANDS HIGHWAY	
U.S. CUSTOMARY STANDARD	
STEEL-BACKED TIMBER GUARDRAIL TYPE A & TYPE B	
STANDARD APPROVED FOR USE BY AASHTO REVISED 4/1994 6/2004	STANDARD 617-60

PROJECT NAME: Shrewsbury	PLOT DATE: 11-DEC-2014
PROJECT NUMBER: BHO 1444 (43)	DRAWN BY: C. Weeber
FILE NAME: I2J350\Structures\J350SBTC	CHECKED BY: J. Weaver
PROJECT LEADER: M. Sargent	SHEET 16 OF 23
DESIGNED BY: J. Weaver	
SBTCR DETAILS	

ALL DETAILS ON THIS SHEET ARE NTS