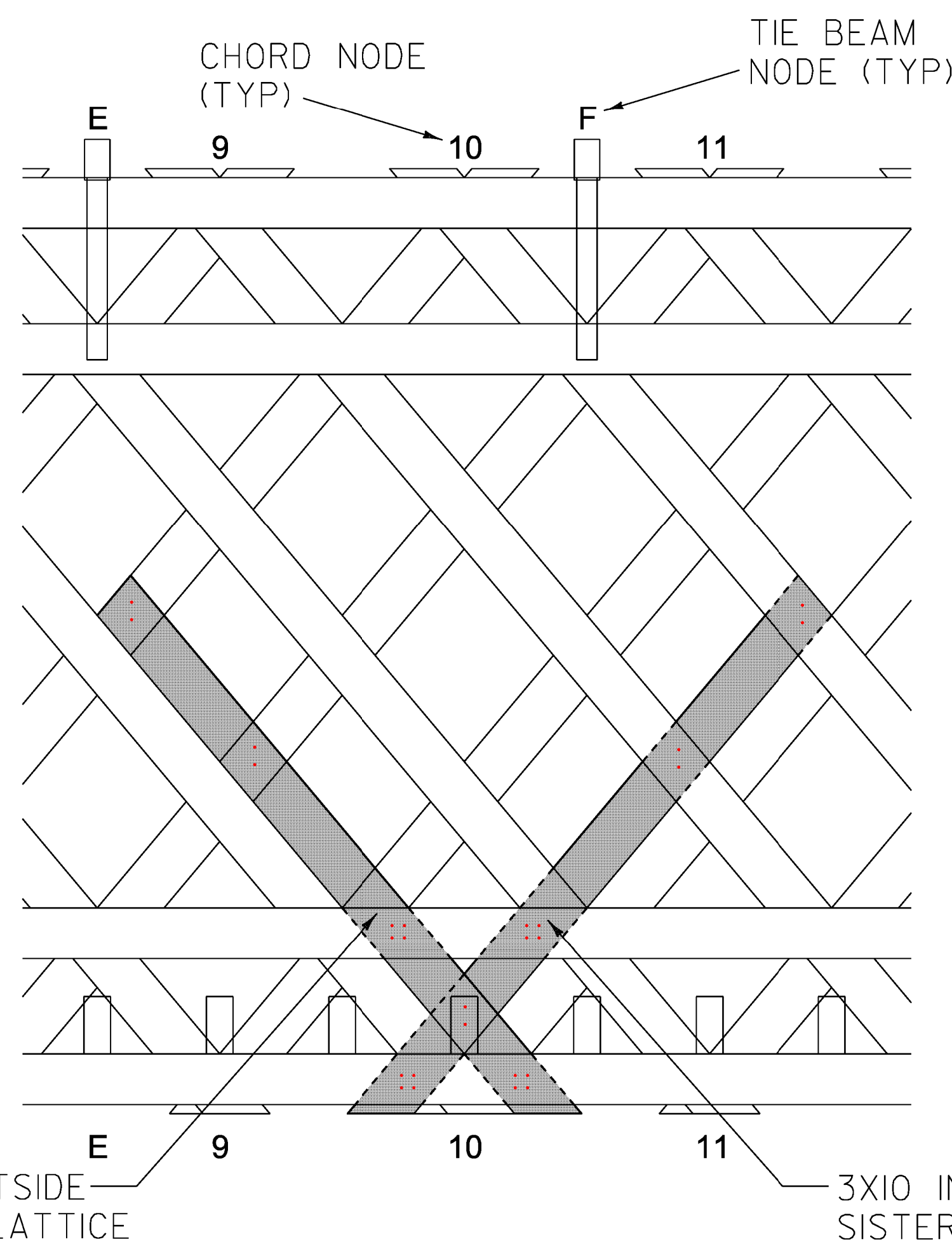


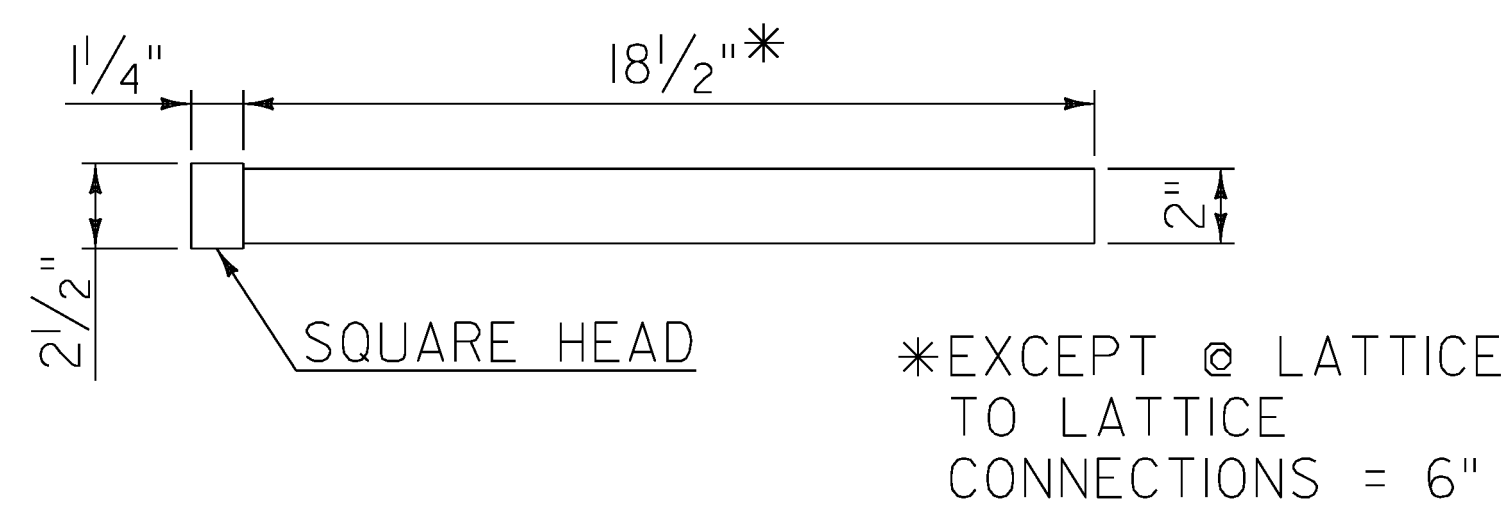
**SOUTH TRUSS ELEVATION (OUTSIDE VIEW)**

⋯~ TRUNNEL LOCATION  
 4 ~ NUMBER OF TRUNNELS @ LOCATION  
 SB~ STITCH BOLT

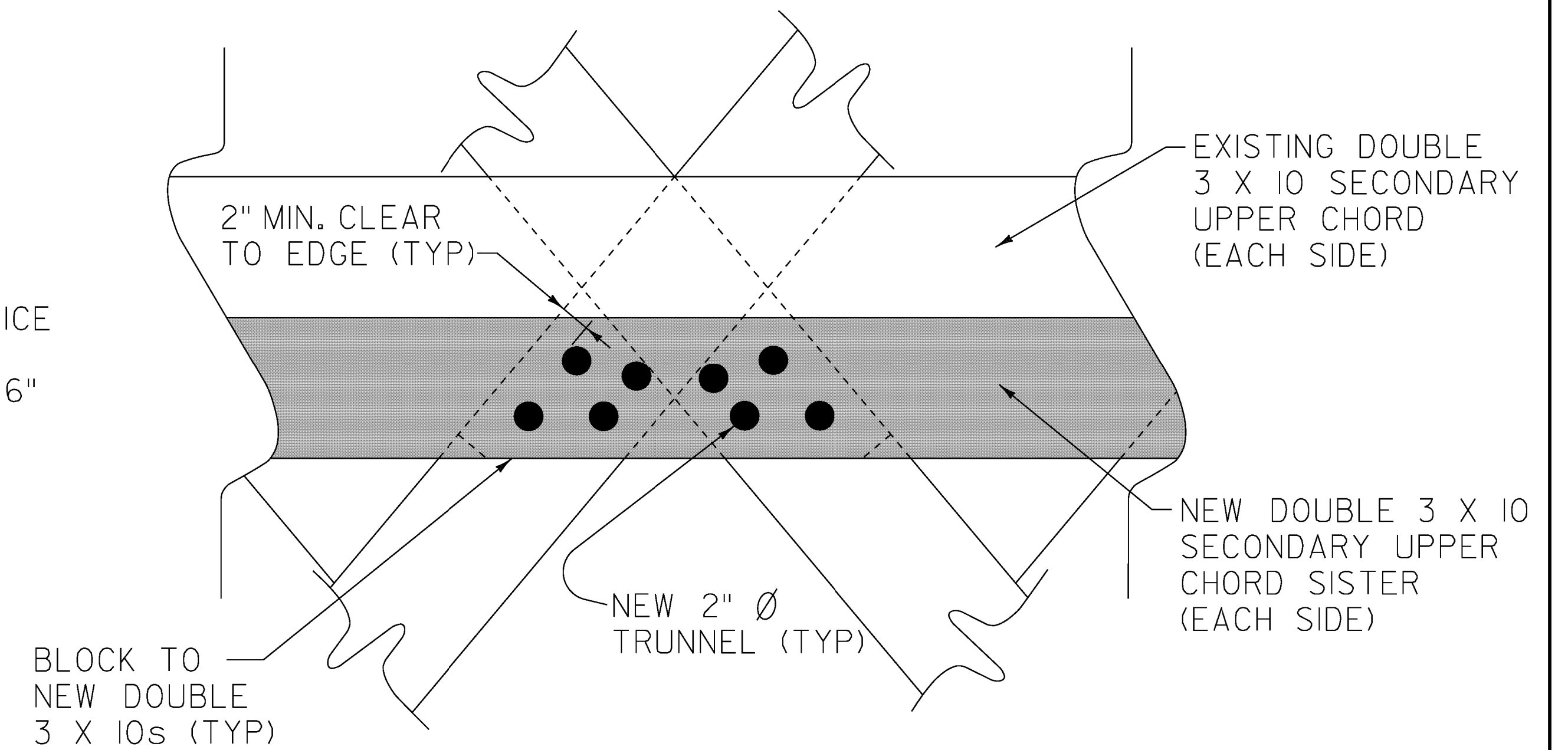


**DETAIL 3**

NTS  
 (ENLARGED ON SHEET 13)



**TRUNNEL DETAIL**  
 NTS



**DETAIL 4**

NTS

LEGEND	
NEW SISTER	
NEW TRUNNEL	

PROJECT NAME:	SHREWSBURY
PROJECT NUMBER:	BHO 1443(29)
FILE NAME:	I2J350BridgeDetails
PROJECT LEADER:	Mark Sargent
DESIGNED BY:	John Weaver
SOUTH TRUSS DETAILS	
PLOT DATE:	18-NOV-2014
DRAWN BY:	STRI
CHECKED BY:	John Weaver
SHEET	12 OF 23