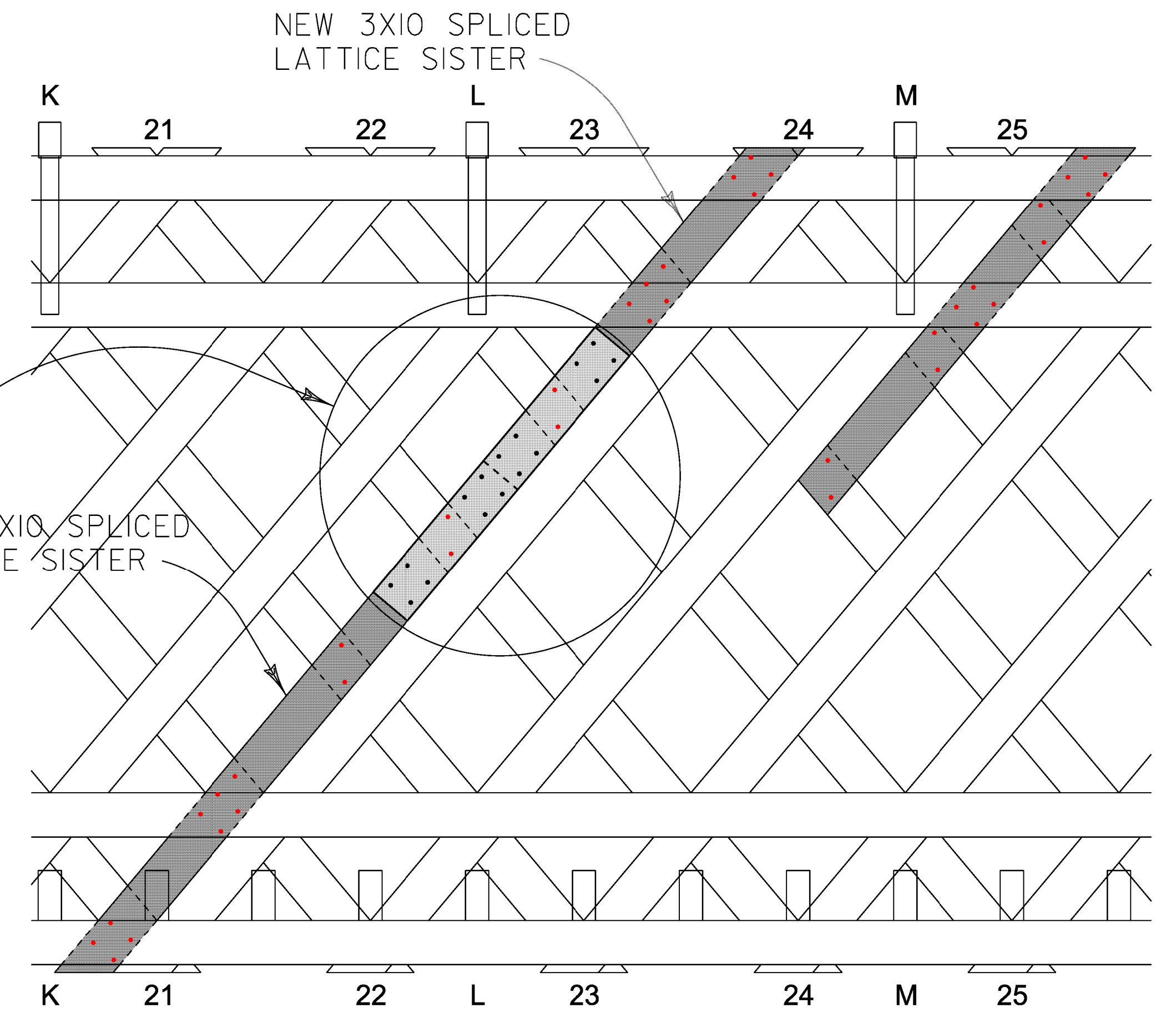
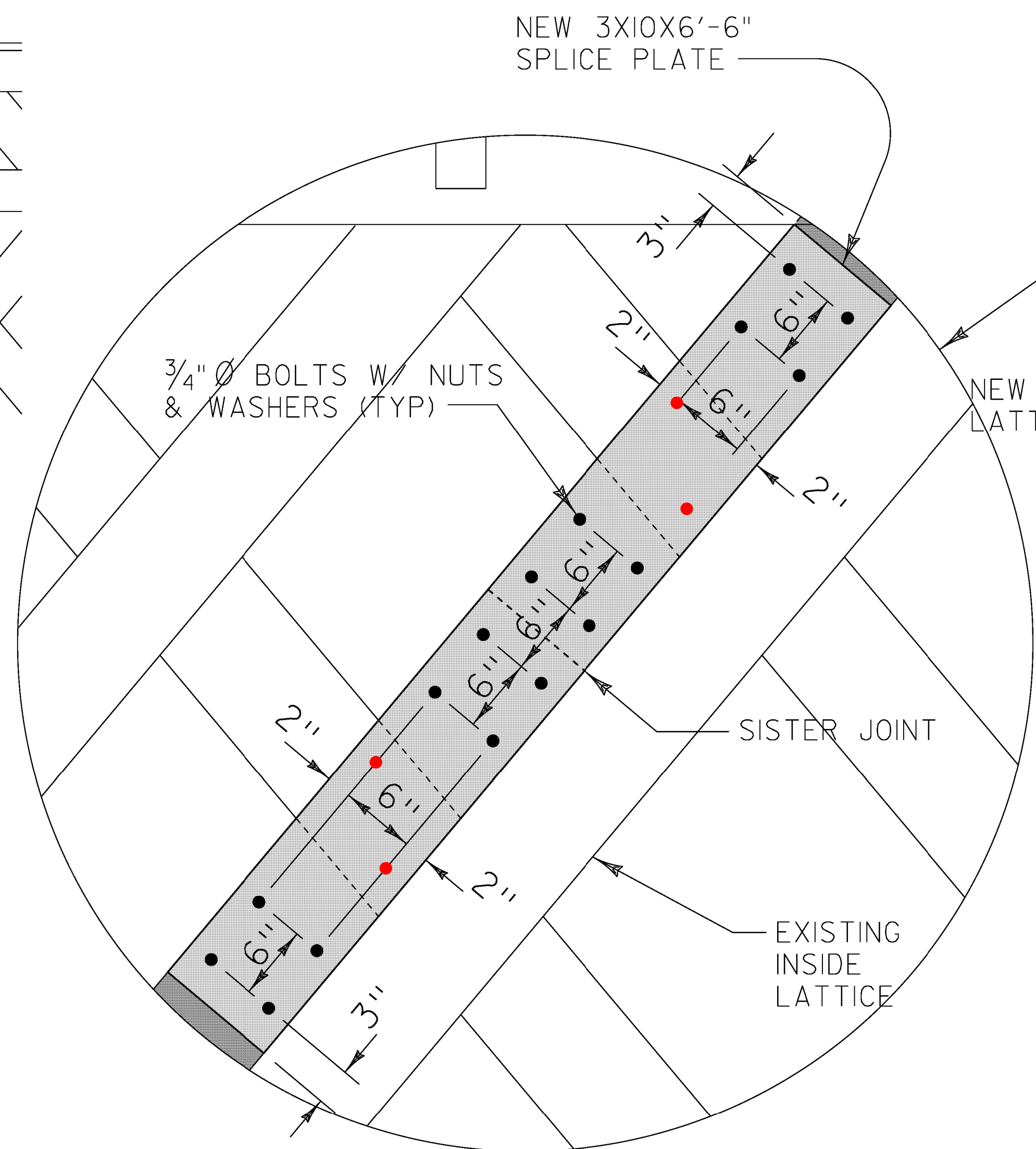
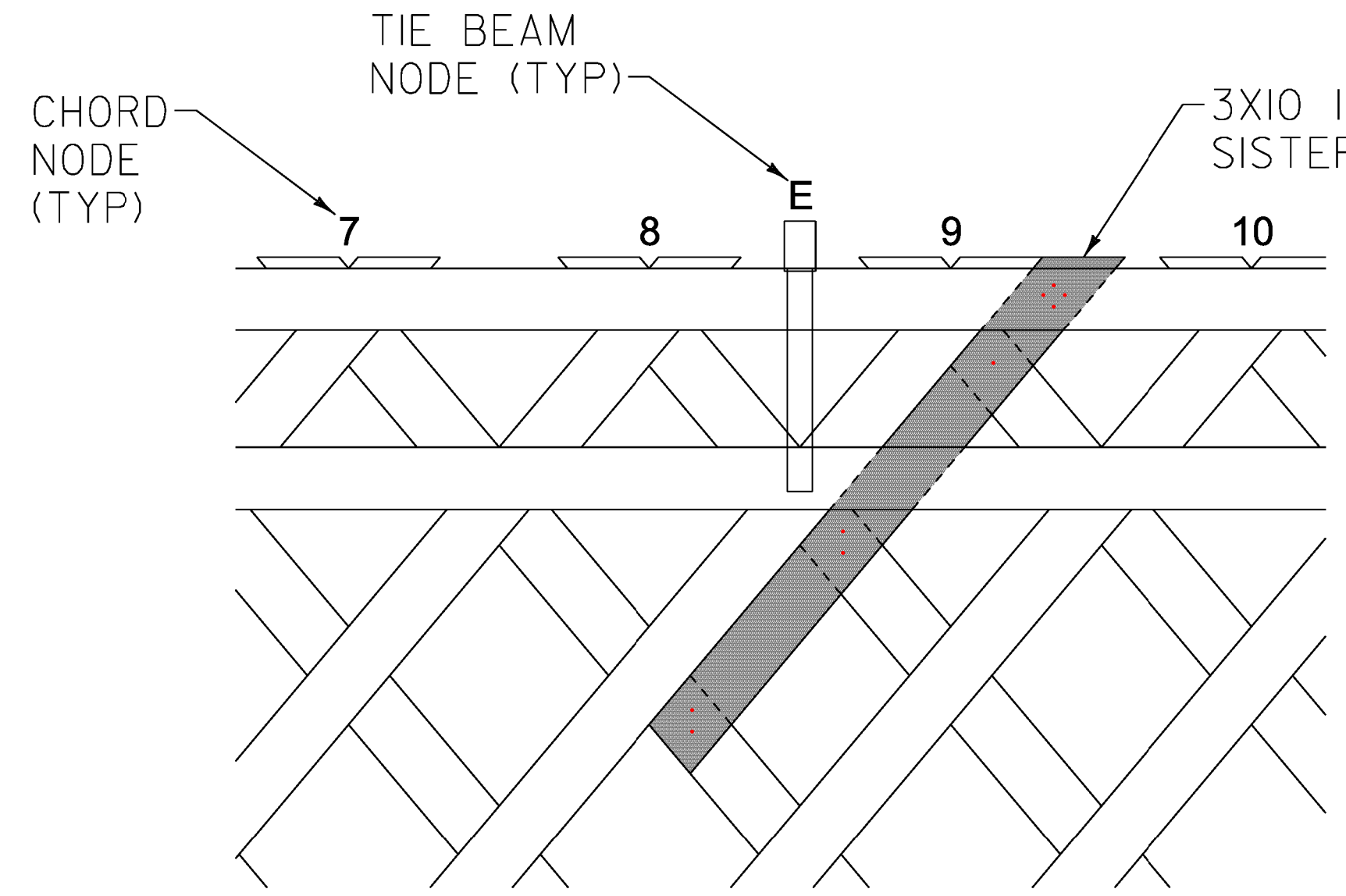


--- TRUNNEL LOCATION
 4 ~ NUMBER OF TRUNNELS @ LOCATION
 SB ~ STITCH BOLT



LEGEND	
NEW SISTER	
NEW SPLICE PLATE	

PROJECT NAME: SHREWSBURY	PLOT DATE: 14-NOV-2014
PROJECT NUMBER: BHO 1443(29)	DRAWN BY: STRI
FILE NAME: I2J350BridgeDetails.dgn	CHECKED BY: John Weaver
PROJECT LEADER: Mark Sargent	SHEET 11 OF 23
DESIGNED BY: John Weaver	
NORTH TRUSS DETAILS	