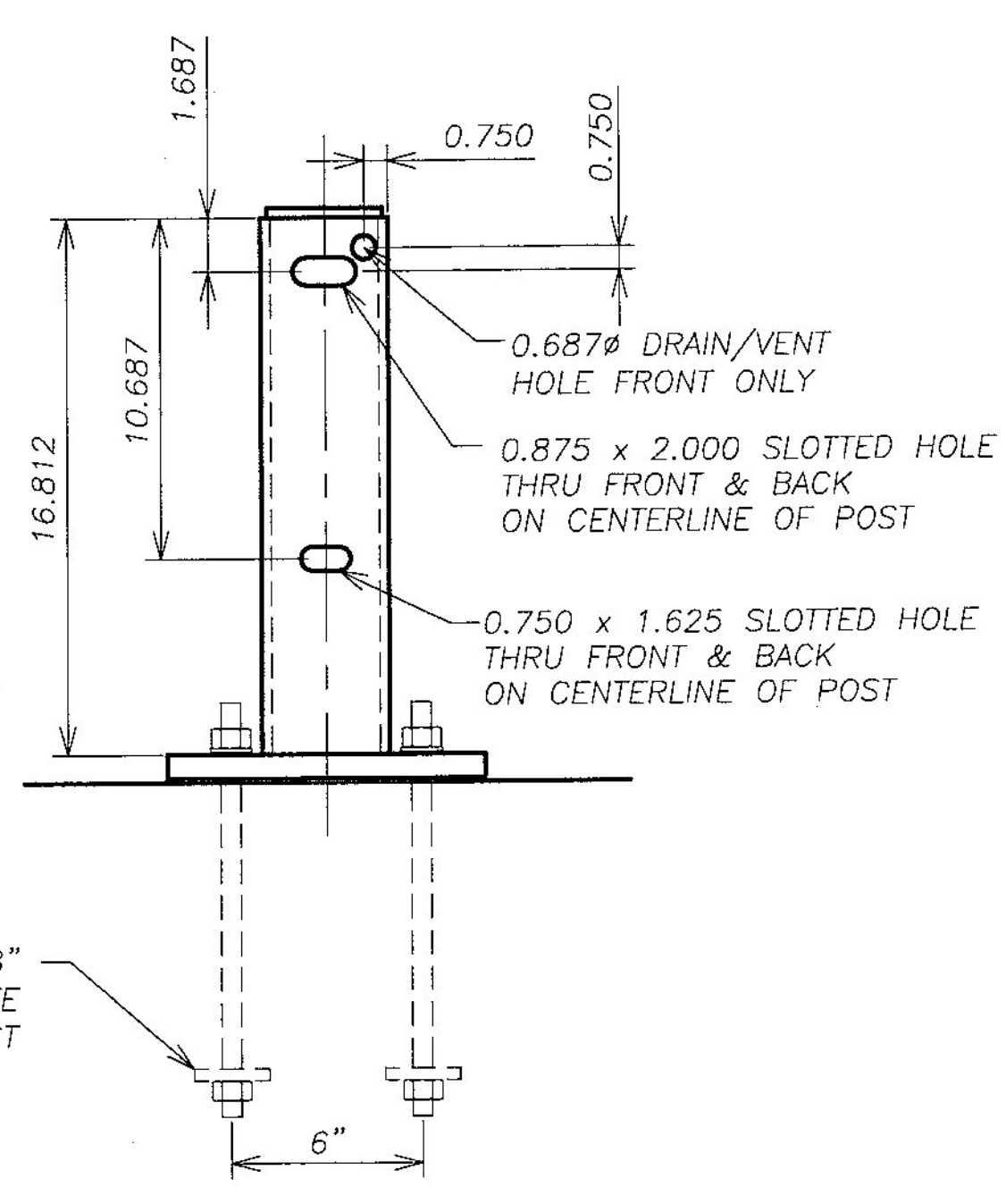
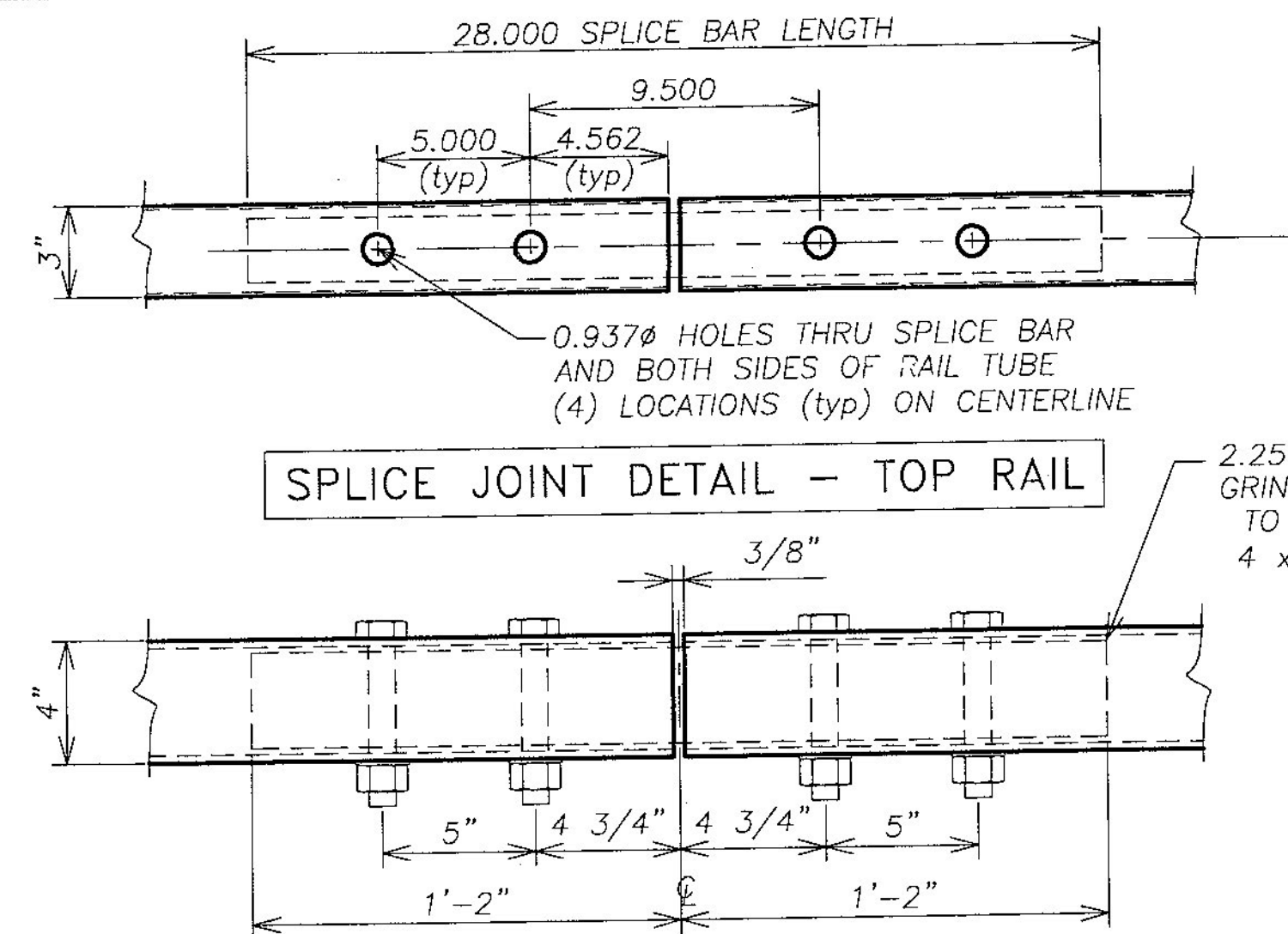


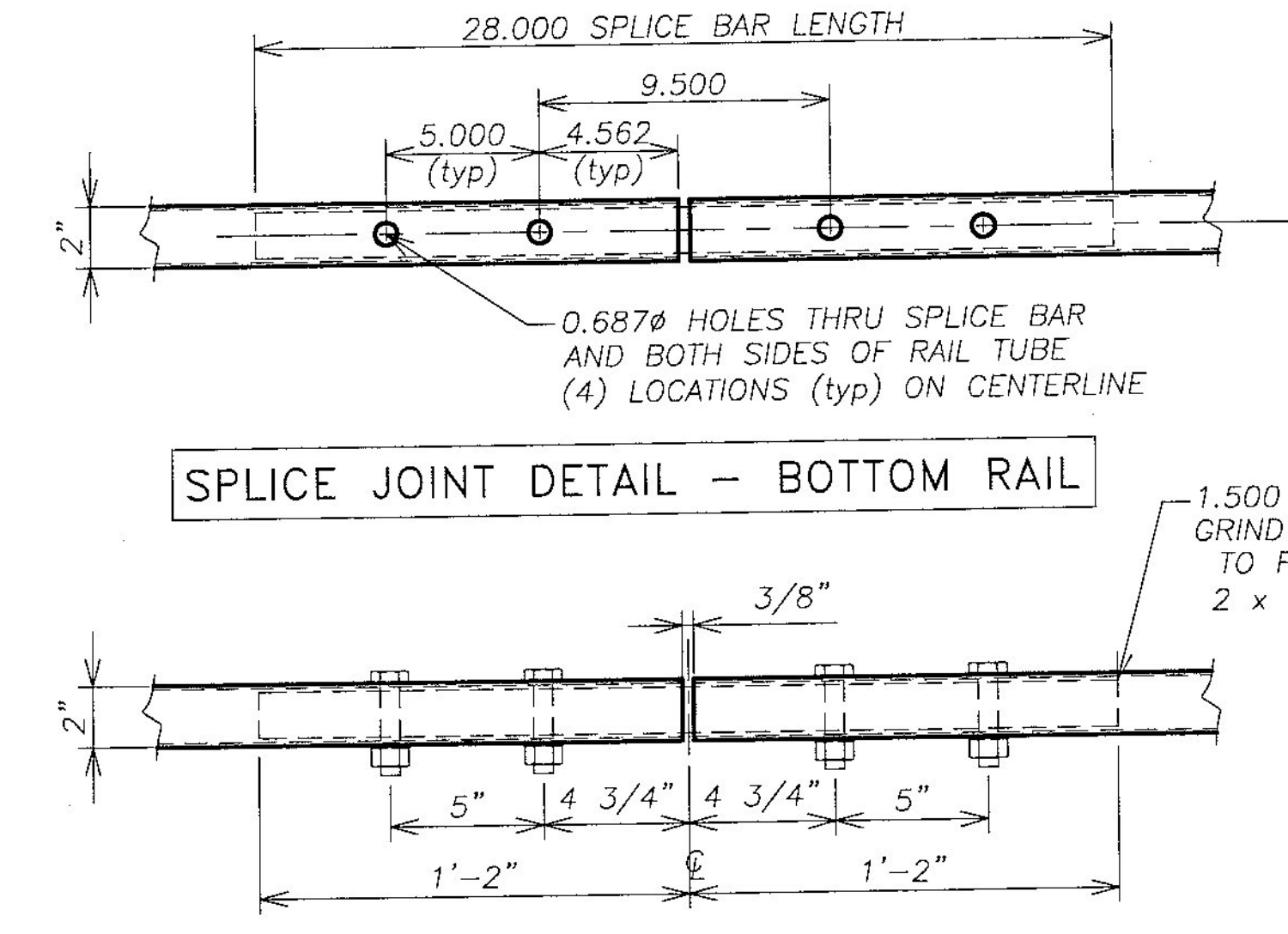
RAIL POST DETAIL
SIDE VIEW



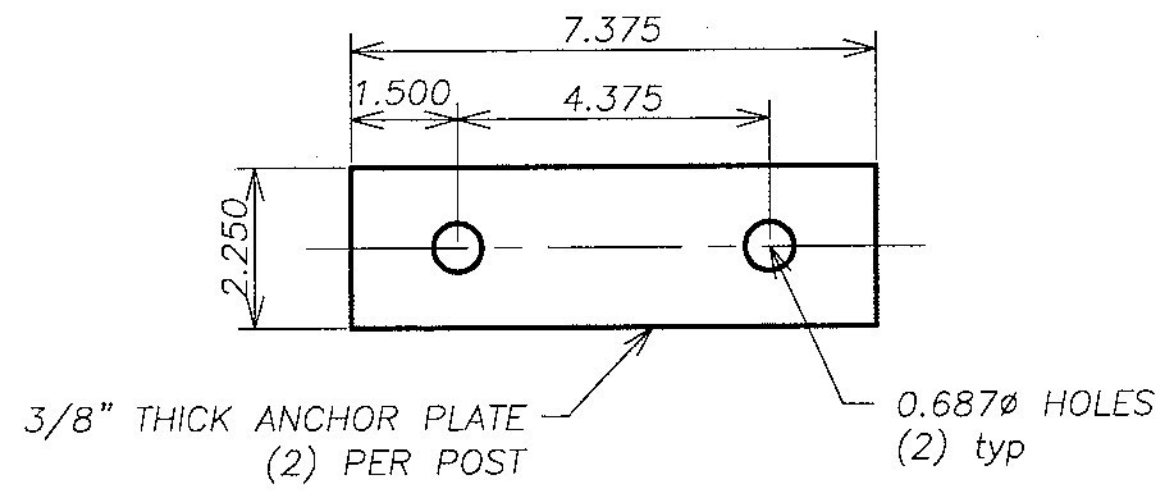
RAIL POST DETAIL
FRONT VIEW



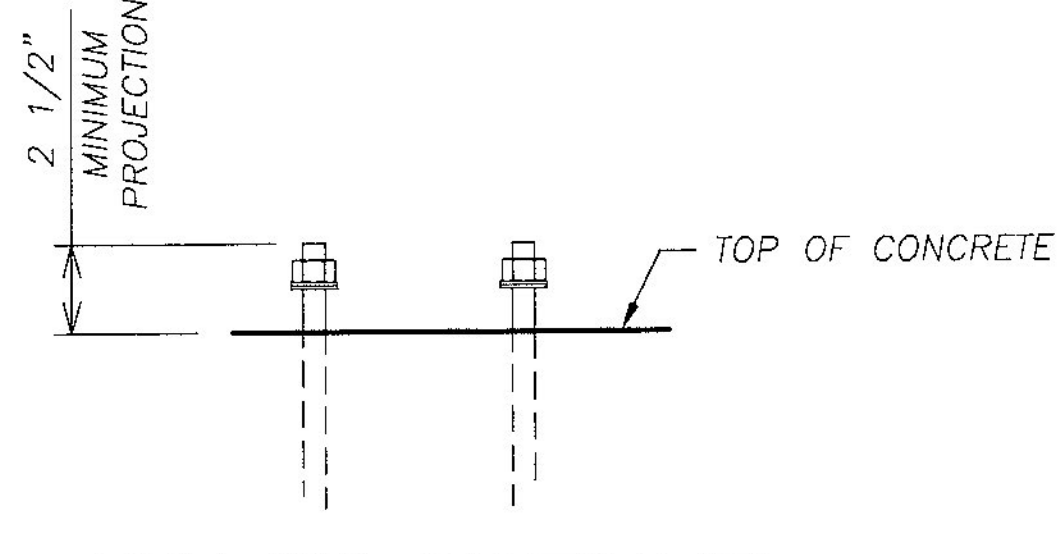
SPLICE JOINT DETAIL - TOP RAIL



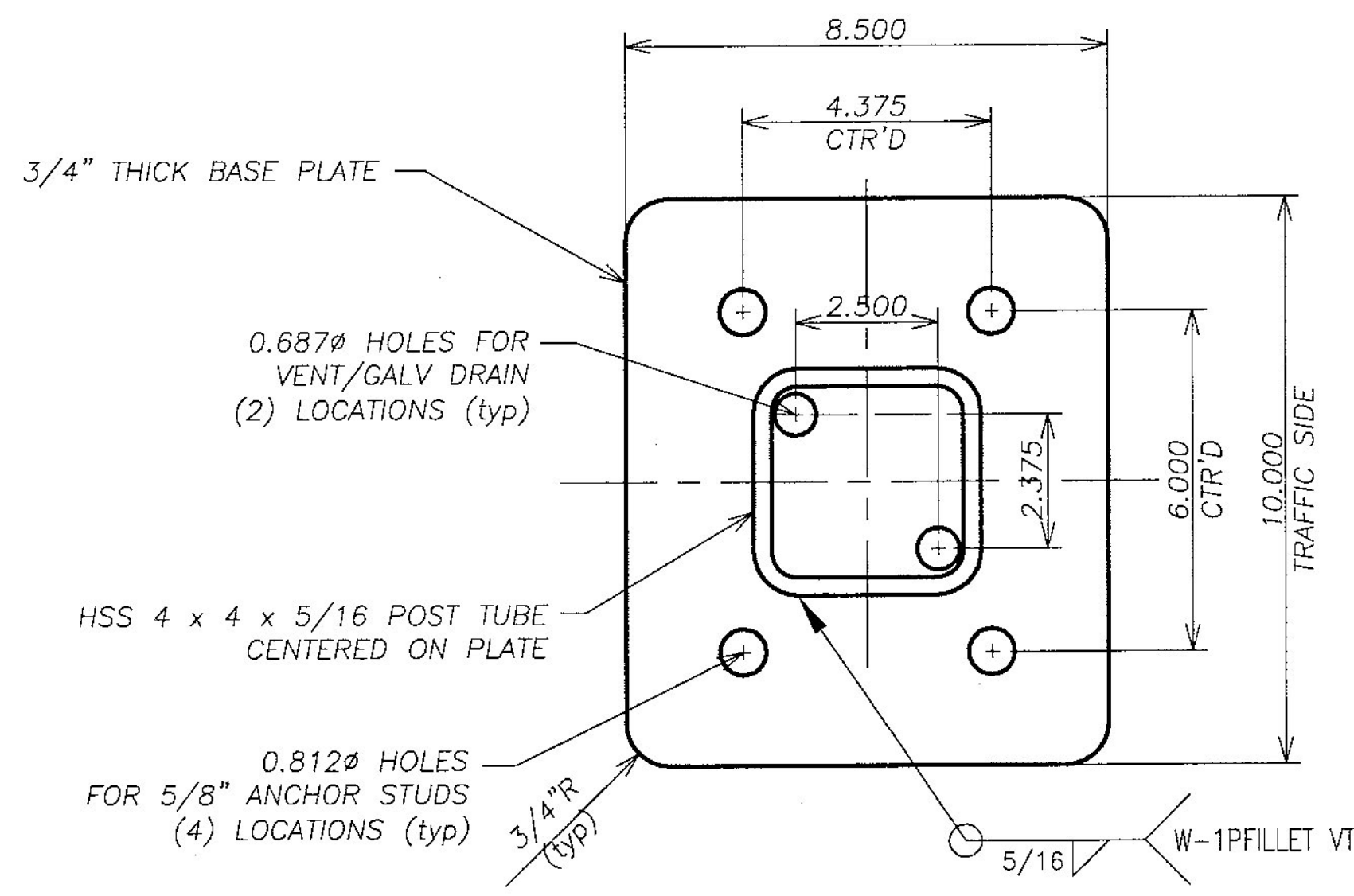
SPLICE JOINT DETAIL - BOTTOM RAIL



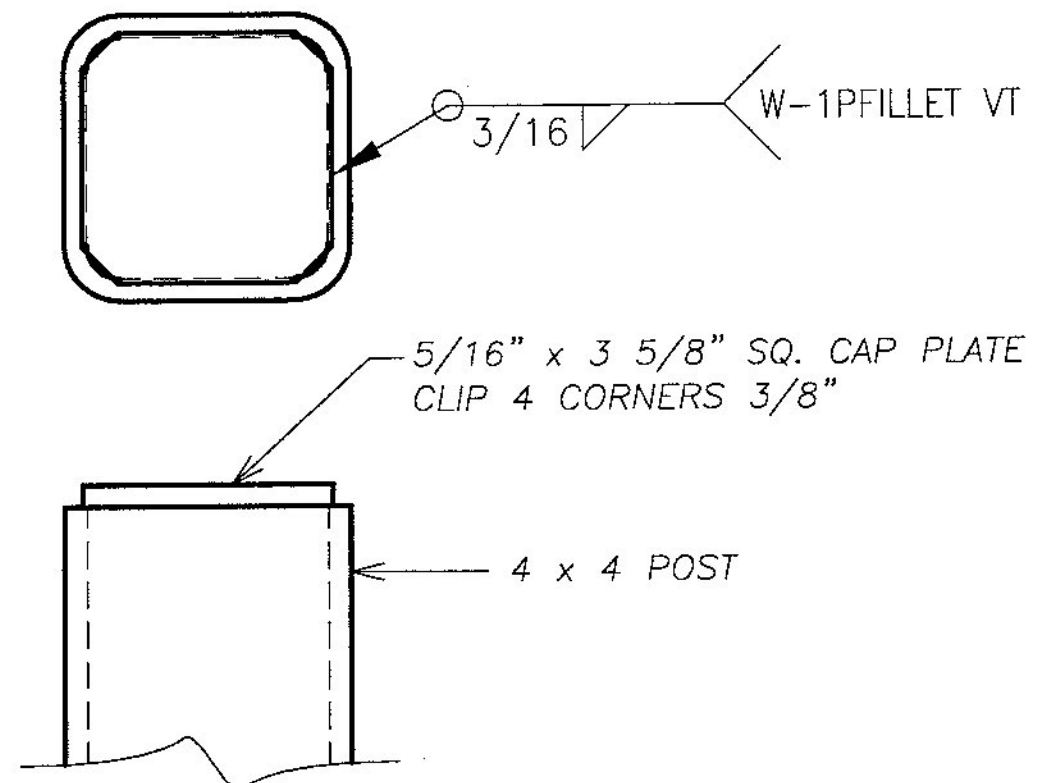
ANCHOR PLATE DETAIL



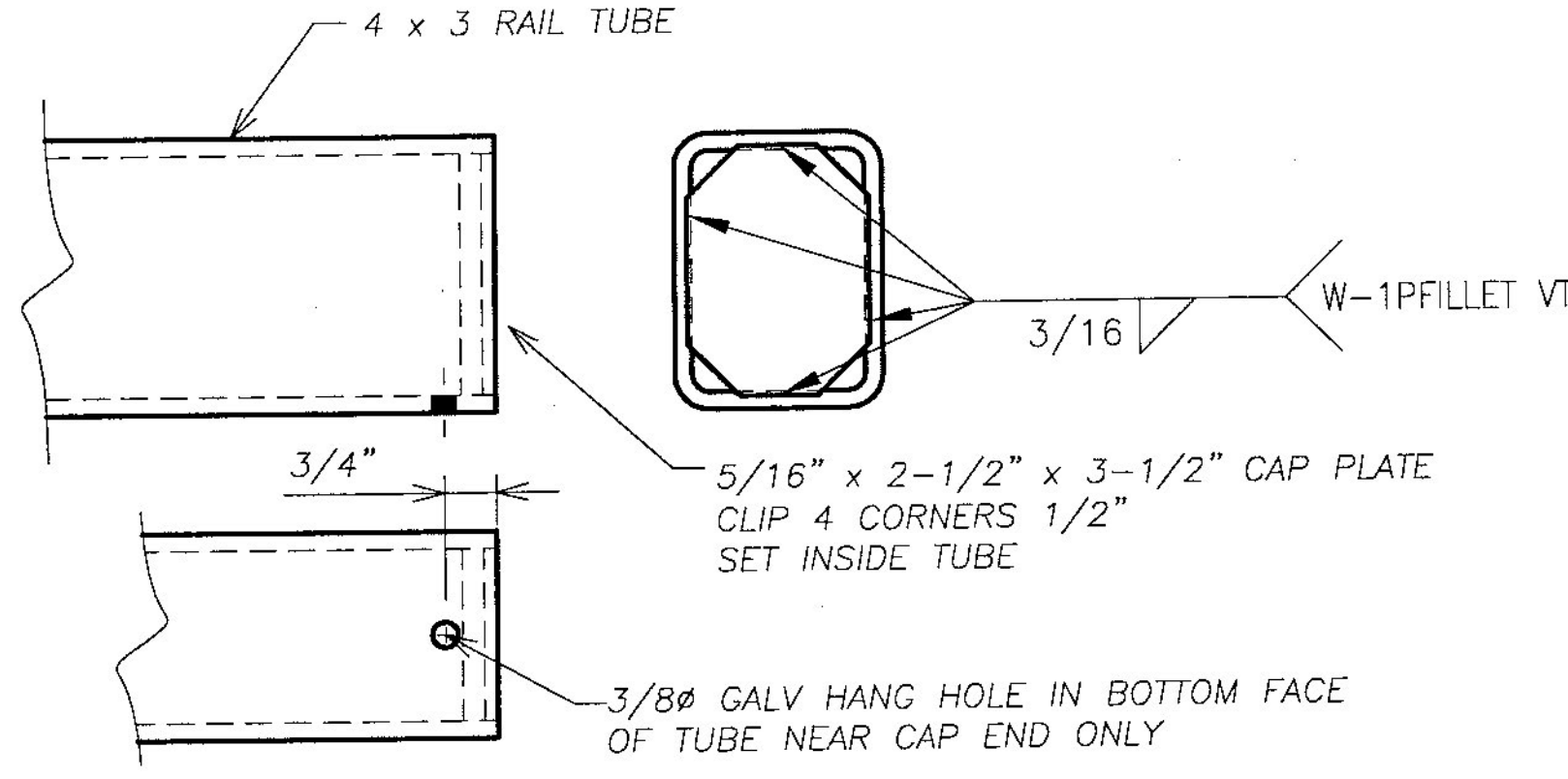
ANCHOR INSTALLATION



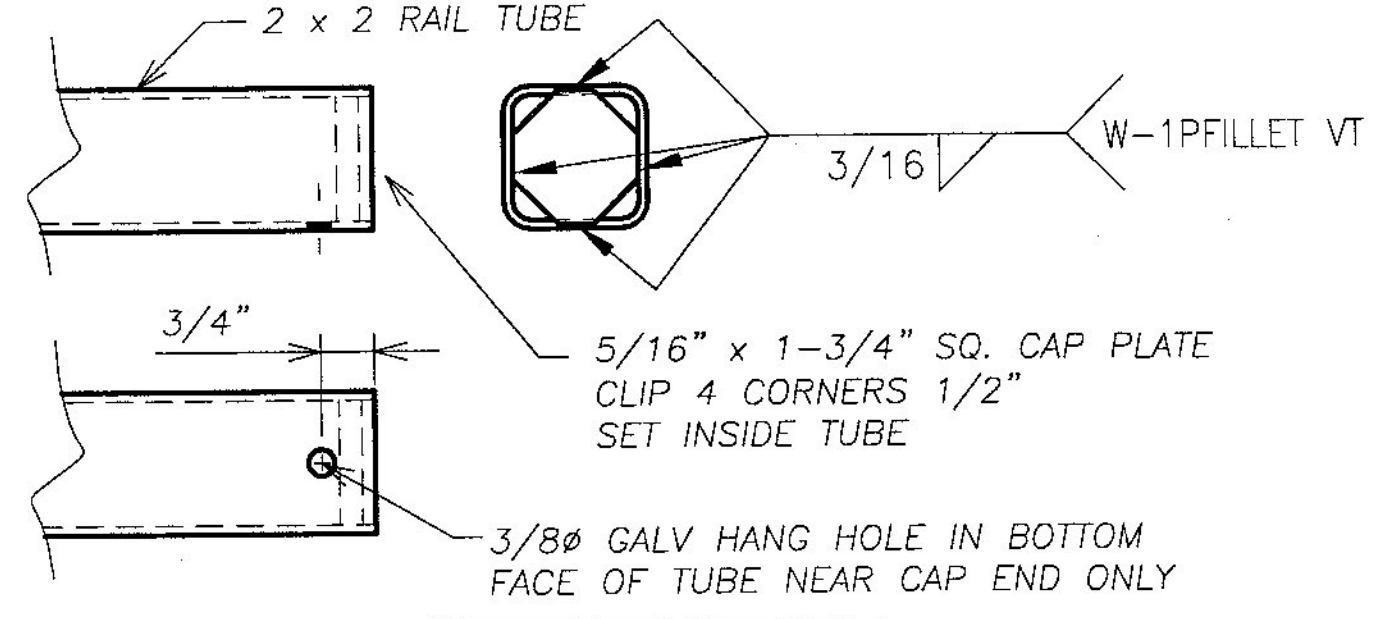
SECTION THRU POST
AT BASE PLATE



POST CAP DETAIL



UPPER RAIL END CAP DETAIL



LOWER RAIL END CAP DETAIL

T.Y. LIN INTERNATIONAL
THE STAMPED DOCUMENTS ARE HEREBY:
 APPROVED
 APPROVED AS NOTED
 REVISE AND RESUBMIT
SEE TRANSMITTAL FOR ADDITIONAL INFORMATION AS APPLICABLE.
THIS REVIEW IS FOR GENERAL CONFORMANCE WITH DESIGN CONCEPT ONLY. ANY DEVIATION FROM THE PLANS OR SPECIFICATIONS NOT CLEARLY NOTED BY THE CONTRACTOR HAS NOT BEEN REVIEWED. REVIEW BY THE ENGINEER SHALL NOT RELIEVE THE CONTRACTOR OF THE CONTRACTUAL RESPONSIBILITY FOR ANY ERRORS OR DEVIATION FROM THE CONTRACT REQUIREMENTS.
JOSH OLUND REVIEWER Feb 28, 2017 DATE

HIGHWAY SAFETY CORP
GLASTONBURY, CT
860-633-9445

ITEM 525.45 BRIDGE RAILING GALVANIZED STEEL TUBING / CONCRETE COMBINATION
TH 2 (GLOVER ROAD) BRIDGE NO. 20
ORLEANS COUNTY
BARTON VILLAGE, VT BHF 0286 (5)

CERTIFIED FABRICATOR

HSC JOB NO. 2149
SHEET NO. 3 of 3

GENERAL CONTRACTOR
SUB CONTRACTOR LAFAYETTE
DRAWN PAR CHECKED DATE 01/23/17 SCALE NONE SIZE B

Vermont Agency of Transportation
RECEIVED
CK'D BY T.Y. Lin International OK'D BY J Olund
February 24, 2017
RESUBMIT No Approved AsNoted
BY D Bonneau DATE 03/14/17