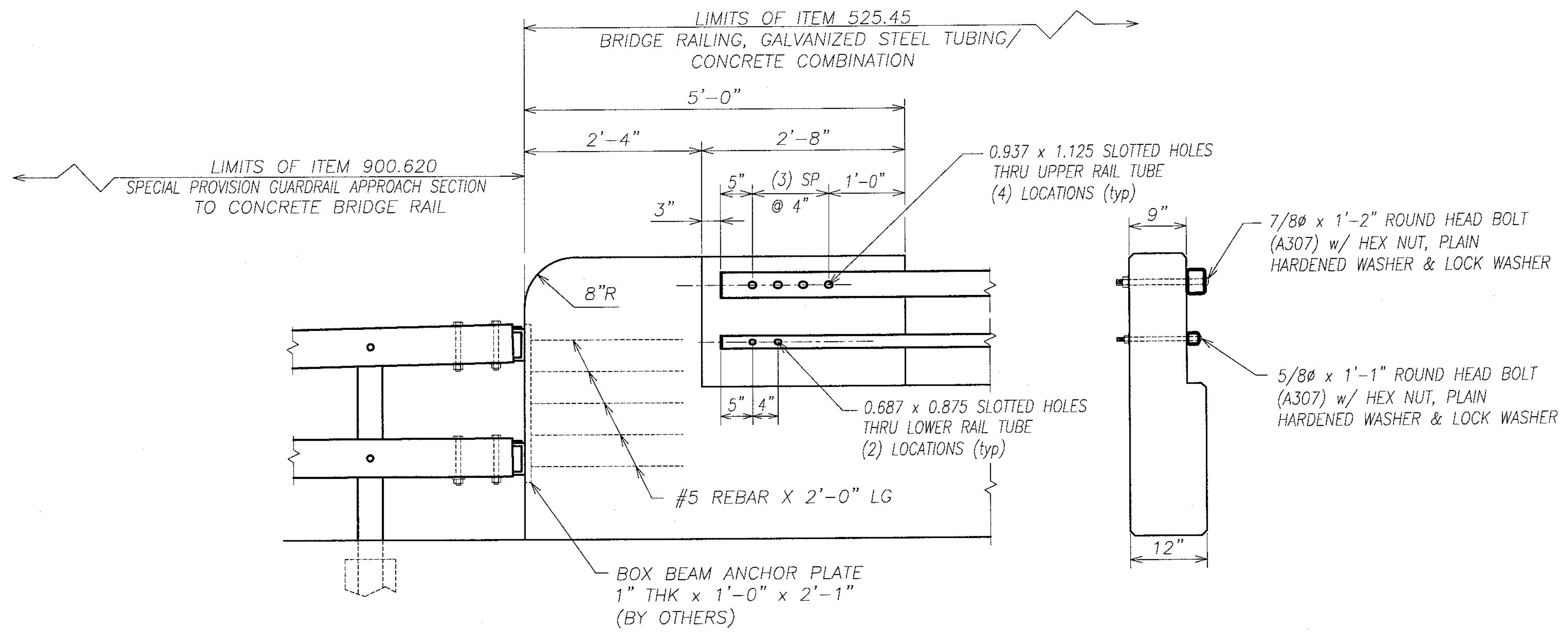


Vermont Agency of Transportation
RECEIVED
CK'D BY T.Y. Lin International OK'D BY J.Olund
February 24, 2017
RESUBMIT No Approved
BY D Bonneau DATE 03/14/17

- NOTES: 1. ALL WORK AND MATERIALS SHALL CONFORM TO SECTION 525.
2. PRIOR TO GALVANIZING THE ASSEMBLED POST, GRIND ALL EDGES TO A MINIMUM RADIUS OF 1/16".
3. ALL POSTS SHALL BE SET NORMAL TO GRADE.
4. SECTIONS OF RAIL TUBE SHALL BE ATTACHED TO A MINIMUM OF TWO BRIDGE POSTS AND PREFERABLY TO AT LEAST 4 POSTS.
5. HOLES IN RAILS FOR TUBE ATTACHMENT MAY BE FIELD-DRILLED. HOLES SHALL BE COATED WITH AN APPROVED ZINC-RICH PAINT PRIOR TO INSTALLATION.
6. BOLTS SHALL BE TORQUED SNUG TIGHT (APPROXIMATELY 100 FT-LB).
7. RAIL TUBES SHALL BE ATTACHED USING 3/4" FULL DIAMETER BODY ASTM A 449 (TYPE D) ROUND HEAD BOLTS INSERTED THROUGH THE FACE OF THE TUBE.
8. SEE STANDARD DRAWING G-1 FOR DETAILS OF DELINEATORS. A DELINEATOR SHALL BE INSTALLED AT 30 FOOT SPACING OR THE NEAREST POST. WHITE IS TO BE INSTALLED ON THE DRIVER'S RIGHT. FOR ONE WAY BRIDGES, YELLOW IS TO BE INSTALLED ON THE DRIVER'S LEFT. PAYMENT FOR DELINEATORS SHALL BE INCIDENTAL TO OTHER ITEMS. (DELINEATORS BY OTHERS)
9. THIS RAILING MEETS THE REQUIREMENTS FOR A NCHRP REPORT 350 TL-4 SERVICE LEVEL.



TYPICAL END WALL DETAIL

| No. | Remarks | Date |
|-----|----------------------|---------|
| A | REVIEWER CORRECTIONS | 2/23/17 |
| 0 | Initial submittal | 1/26/17 |

REVISIONS

T.Y. LIN INTERNATIONAL
THE STAMPED DOCUMENTS ARE HEREBY:
-X- APPROVED
- - APPROVED AS NOTED
- - REVISE AND RESUBMIT
SEE TRANSMITTAL FOR ADDITIONAL INFORMATION AS APPLICABLE.
THIS REVIEW IS FOR GENERAL CONFORMANCE WITH DESIGN CONCEPT ONLY. ANY DEVIATION FROM THE PLANS OR SPECIFICATIONS NOT CLEARLY NOTED BY THE CONTRACTOR HAS NOT BEEN REVIEWED. REVIEW BY THE ENGINEER SHALL NOT RELIEVE THE CONTRACTOR OF THE CONTRACTUAL RESPONSIBILITY FOR ANY ERRORS OR DEVIATION FROM THE CONTRACT REQUIREMENTS.
JOSH OLUND Feb 28, 2017
REVIEWER DATE

HIGHWAY SAFETY CORP
GLASTONBURY, CT
860-633-9445

ITEM 525.45 BRIDGE RAILING GALVANIZED STEEL TUBING / CONCRETE COMBINATION
TH 2 (GLOVER ROAD) BRIDGE NO. 20
ORLEANS COUNTY
BARTON VILLAGE, VT BHF 0286 (5)

CERTIFIED FABRICATOR
HSD JOB NO. 2149
SHEET NO. 1 of 3

GENERAL CONTRACTOR
SUB CONTRACTOR LAFAYETTE
DRAWN PAR CHECKED DATE 01/23/17 SCALE NONE SIZE B