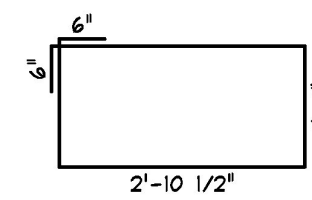
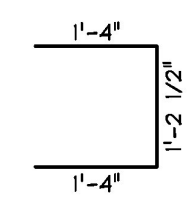


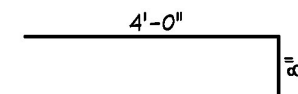
F:\VT-Budget\2016-16 BartonRoaring Brook\Roaring-M1.dwg, 1/4/2017 4:30:28 PM



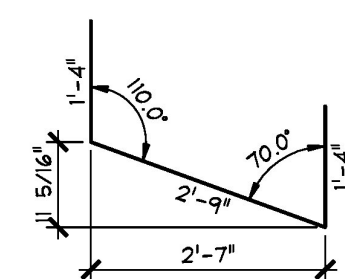
RB-501S
#5 BENT BAR
STAINLESS STEEL
USE 3"Ø PIN
(706) REQ'D.



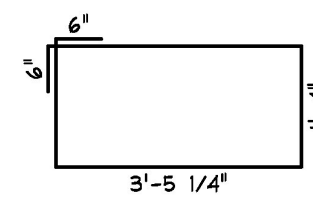
RB-502S
#5 BENT BAR
STAINLESS STEEL
USE 3"Ø PIN
(80) REQ'D.



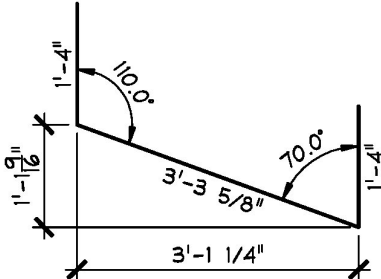
RB-503S
#5 BENT BAR
STAINLESS STEEL
USE 3"Ø PIN
(80) REQ'D.



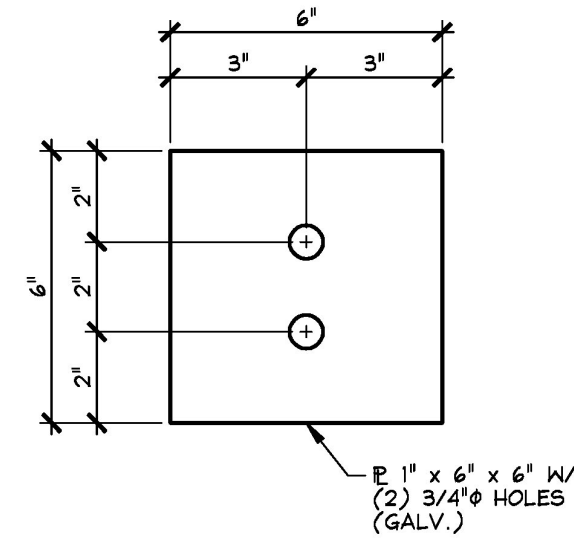
RB-504S
#5 BENT BAR
STAINLESS STEEL
USE 3"Ø PIN
(60) REQ'D.



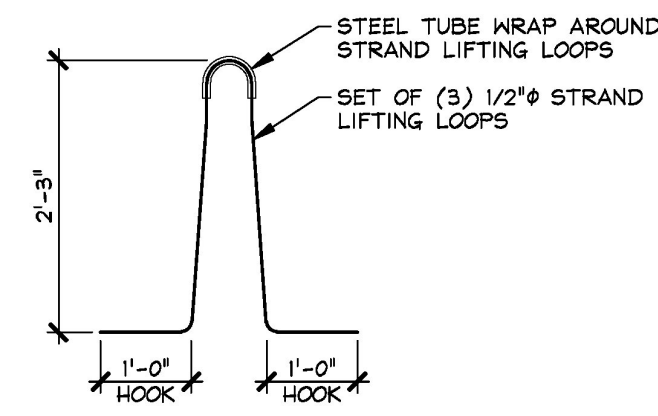
RB-505S
#5 BENT BAR
STAINLESS STEEL
USE 3"Ø PIN
(236) REQ'D.



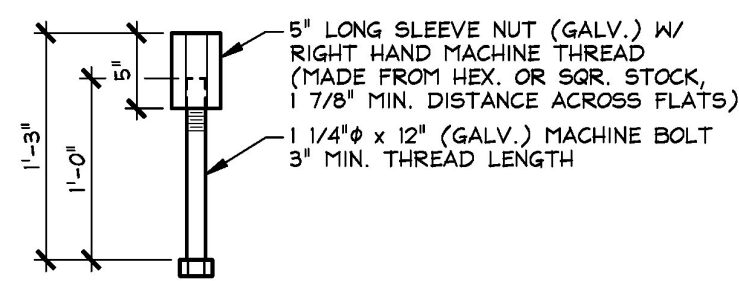
RB-506S
#5 BENT BAR
STAINLESS STEEL
USE 3"Ø PIN
(20) REQ'D.



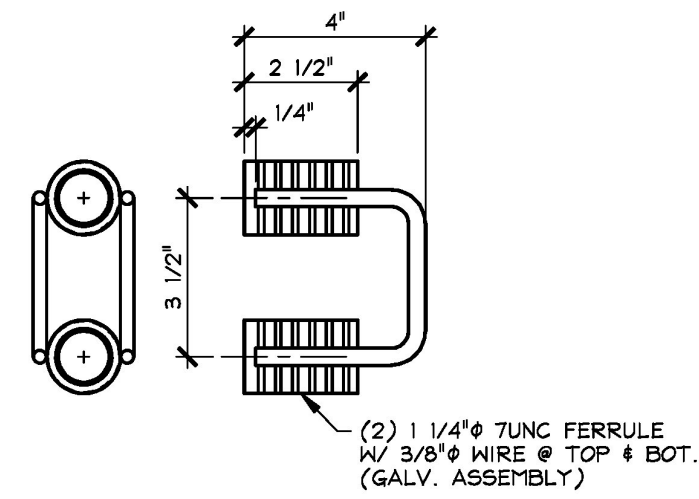
EM-RB1
(12) REQ'D.



MK-RB2
(32) REQ'D.



MK-RB3
(44) REQ'D.



MK-RB4
(22) REQ'D.

MISCELLANEOUS MATERIALS				
ITEM	MARK	QTY.	DESCRIPTION	REMARKS
1	EM-RB1	12	2" x 6" x 6" w/ (2) 3/4" HOLES (GALV.)	FOR ERECTION; SEE DETAIL THIS SHEET
2		12	0.60" x 270 KSI (LOW LAX) x 29'-5" LONG POLY-STRAND	FOR ERECTION
3		24	0.60" SINGLE USE STRESSING CHUCK	FOR ERECTION
4		42	COMPRESSIBLE SEALER SELF ADHESIVE	FOR ERECTION
5				
6	MK-RB2	32	SET OF (3) 1/2"Ø STRAND LIFTING LOOPS	SEE DETAIL THIS SHEET
7	MK-RB3	44	5" LG. SLEEVE NUT (GALV.) # 1 1/4"Ø x 12" MACHINE BOLT	GALVANIZED, SEE DETAIL THIS SHEET
8	MK-RB4	22	2-BOLT FERRULE GUARD RAIL INSERT 1 1/4"Ø-7UNC	GALVANIZED, SEE DETAIL THIS SHEET
9				
10				
11		40	#5 x 65'-0" (STAINLESS STEEL)	
12		24	#5 x 2'-6" (STAINLESS STEEL)	
13		8	#5 x 3'-0" (STAINLESS STEEL)	
14				
15				

Vermont Agency of Transportation
RECEIVED
CHK'D BY T.Y. Lin International OK'D BY J. Olund
January 24, 2017
RESUBMIT No Approved
BY D. Bonneau DATE 01/25/17

T.Y. LIN INTERNATIONAL
THE STAMPED DOCUMENTS ARE HEREBY:
-x APPROVED
- APPROVED AS NOTED
- REVISE AND RESUBMIT
SEE TRANSMITTAL FOR ADDITIONAL INFORMATION AS APPLICABLE.
THIS REVIEW IS FOR GENERAL CONFORMANCE WITH DESIGN CONCEPT ONLY. ANY DEVIATION FROM THE PLANS OR SPECIFICATIONS NOT CLEARLY NOTED BY THE CONTRACTOR HAS NOT BEEN REVIEWED. REVIEW BY THE ENGINEER SHALL NOT RELIEVE THE CONTRACTOR OF THE CONTRACTUAL RESPONSIBILITY FOR ANY ERRORS OR DEVIATION FROM THE CONTRACT REQUIREMENTS.
JOSH OLUND January 25, 2017
REVIEWER DATE

APPROVAL STAMP:	J.P. CARRARA & SONS INC. Precast & Prestress Manufacturer 244 GAGE STR., MIDDLEBURY, VERMONT 05750 Phone: (802)388-6361 Fax: (802)388-9010	J.P. SICARD, INC. CONTRACTOR BARTON, VERMONT
	STATE OF VERMONT AGENCY OF TRANSPORTATION COUNTY OF ORLEANS	DATE: NOV. 18, 2016 SCALE: NOTED
	VILLAGE OF BARTON TH 4 (ROARING BROOK RD.), RURAL MINOR COLLECTOR BRIDGE NO.: 58 PROJECT NO.: BO 1449(33)	CHKD: A.S. DFTM: B.L. JOB NO: 23498-016
	PRESTRESSED SOLID SLAB MATERIALS LIST	DWG. NO: M1 ROARING BROOK RD.

1-3-17 OMIT APPROACH SLAB MATERIALS