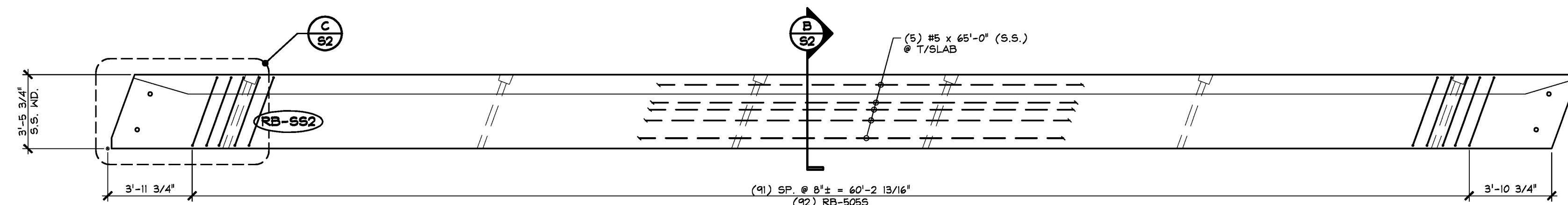
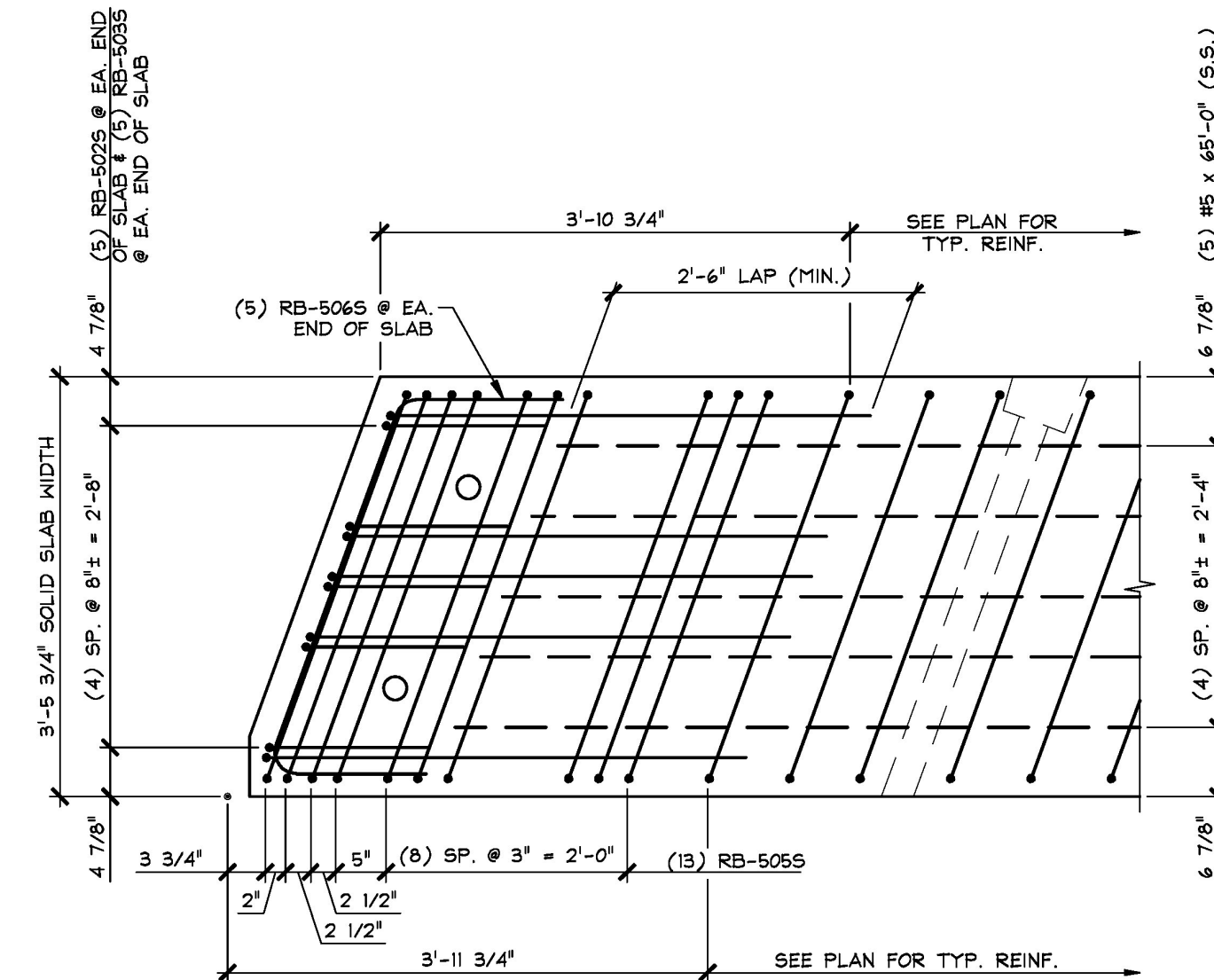


1 DIMENSIONAL PLAN VIEW IN FORM
S2
1/4" = 1'-0"

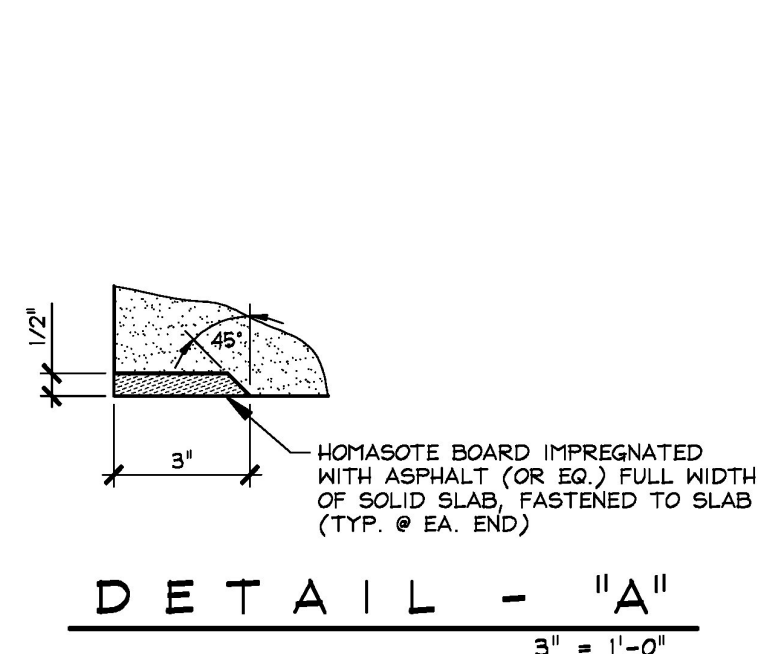


2 REINFORCING PLAN VIEW IN FORM
S2
1/4" = 1'-0"

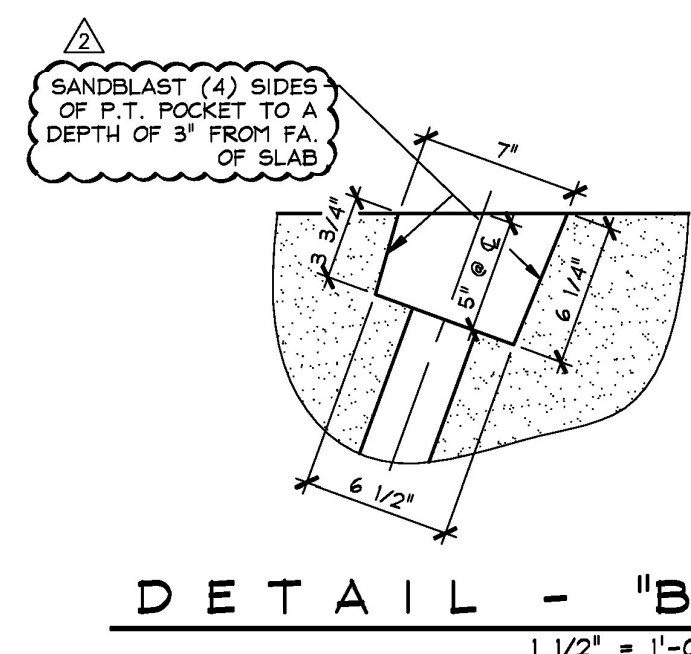
SHOP NOTE:
ADJUST REINFORCING AS REQUIRED TO CLEAR INSERTS, SLEEVES, ETC.



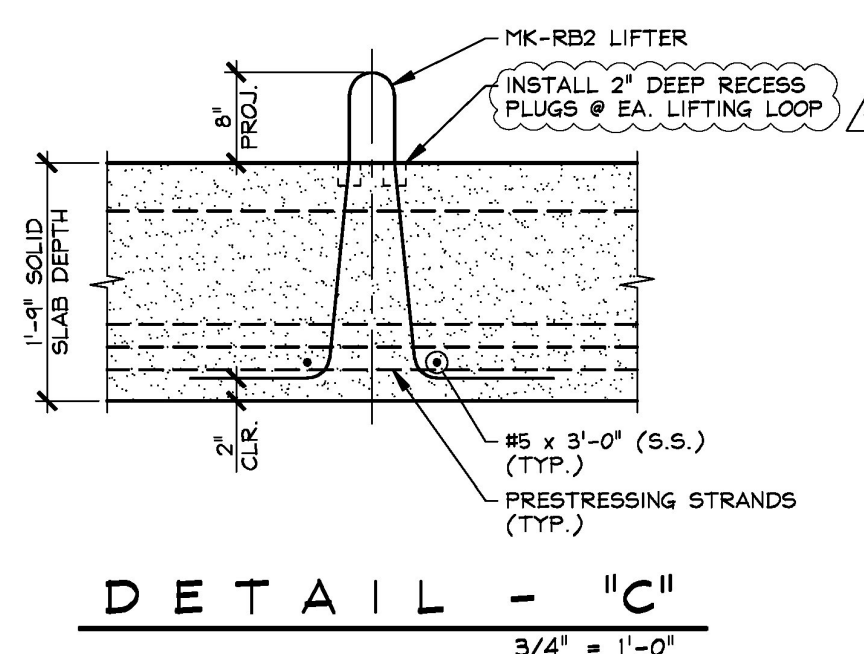
C END BLOCK REINFORCING PLAN
S2
3/4" = 1'-0"



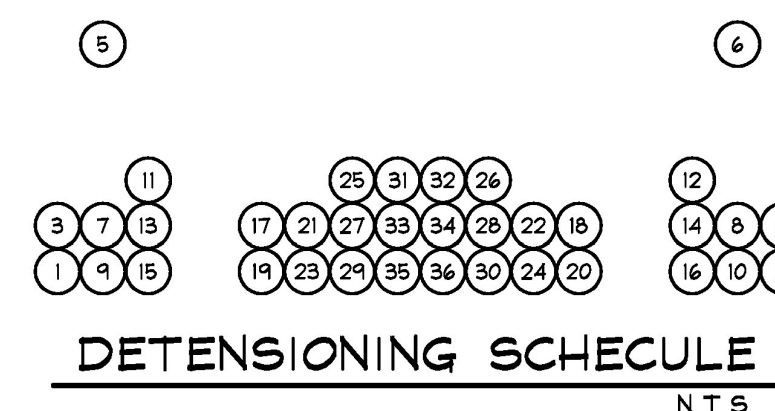
DETAIL - "A"
3" = 1'-0"



DETAIL - "B"
1 1/2" = 1'-0"

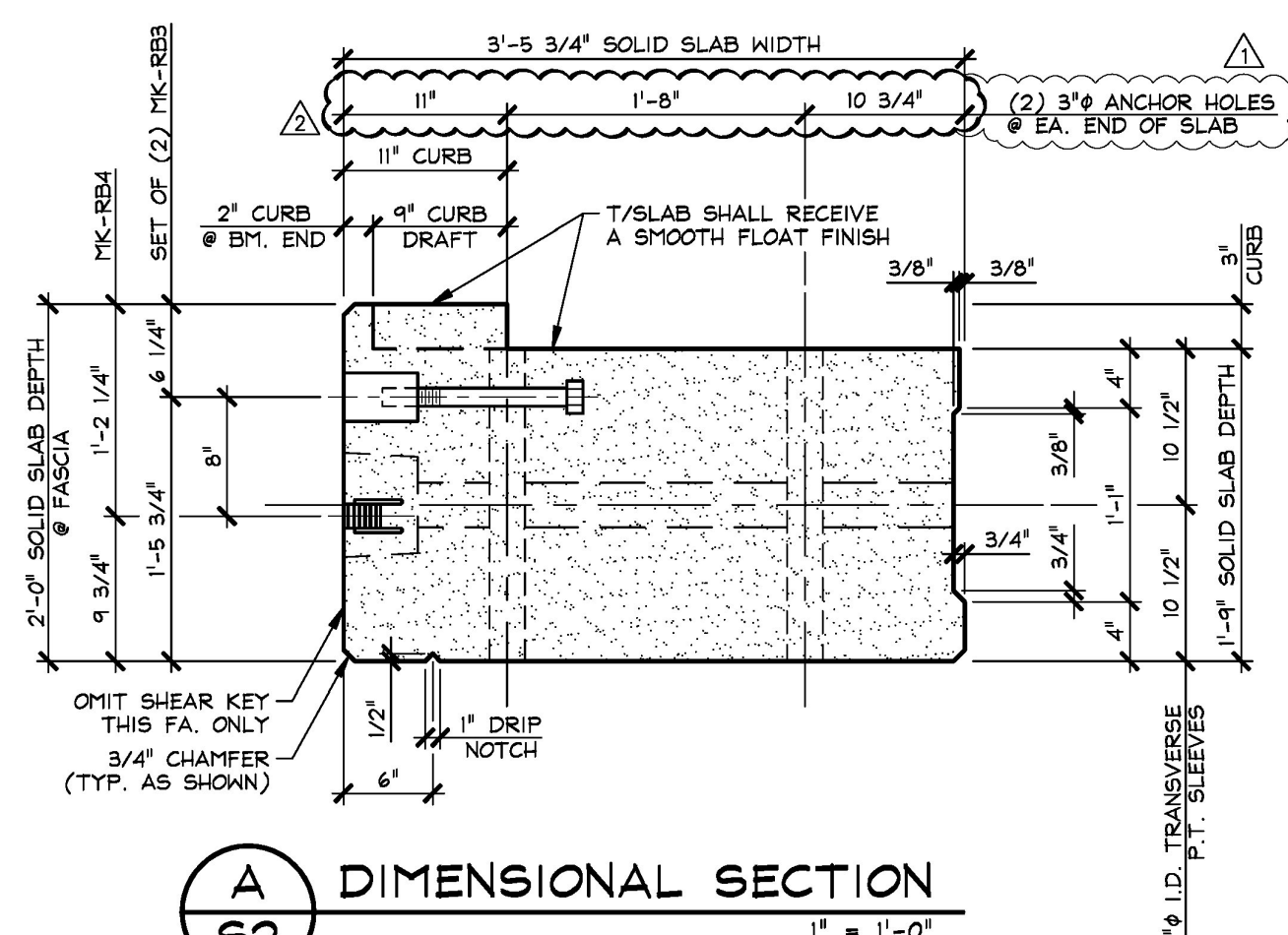


DETAIL - "C"
3/4" = 1'-0"

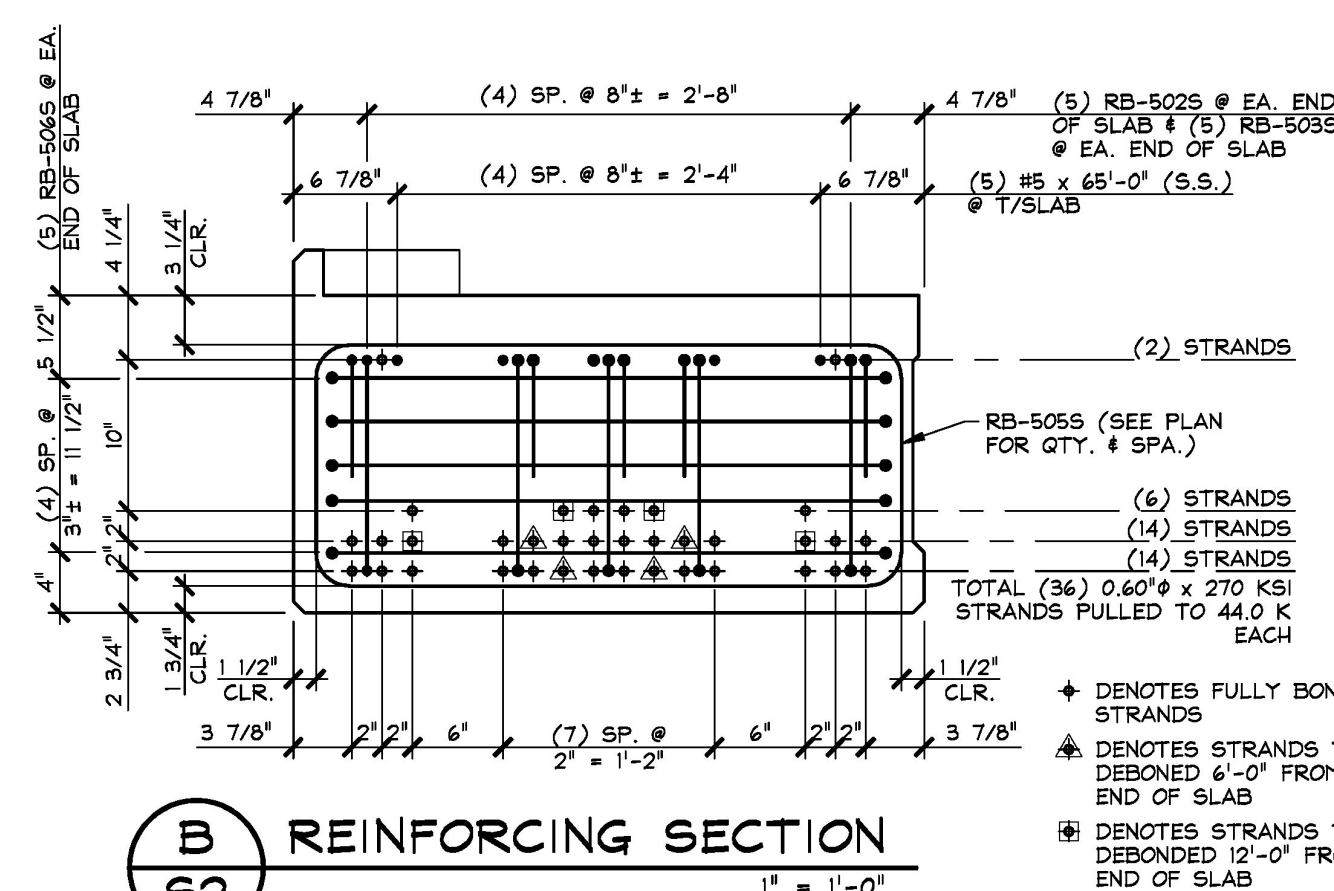


DETENSING SCHEDULE
N.T.S.

SHOP NOTE:
28-DAY STRENGTH = 9,000 PSI
STRESS TRANSFER STRENGTH = 6,000 PSI
DESIGN MIX #430M NC-DCI



A DIMENSIONAL SECTION
S2
1" = 1'-0"



B REINFORCING SECTION
S2
1" = 1'-0"

Vermont Agency of Transportation
RECEIVED
CK'D BY T.Y. Lin International OK'D BY J. Olund
January 24, 2017
RESUBMIT No Approved
BY D. Bonneau DATE 01/25/17

1-24-17 REVISED AS NOTED
1-3-17 REVISED AS NOTED

MATERIAL LIST / SOLID SLAB			
ITEM	MARK	DESCRIPTION	QTY.
1	RB-5025	#5 BENT BAR (STAINLESS STEEL)	10
2	RB-5035	#5 BENT BAR (STAINLESS STEEL)	10
3	RB-5055	#5 BENT BAR (STAINLESS STEEL)	118
4	RB-5065	#5 BENT BAR (STAINLESS STEEL)	10
5		#5 x 65'-0" (STAINLESS STEEL)	5
6		#5 x 3'-0" (STAINLESS STEEL)	4
7	MK-RB2	SET OF (3) 1/2" STRAND LIFTING LOOPS	4
8	MK-RB3	5" LG. SLEEVE NUT (GALV.) # 1 1/4" x 12" MACHINE BOLT (GALV.)	22
9	MK-RB4	2-BOLT FERRULE GUARD RAIL INSERT 1 1/4" TUNG (GALV.)	11
10			

T.Y. LIN INTERNATIONAL
THE STAMPED DOCUMENTS ARE HEREBY:
APPROVED
APPROVED AS NOTED
REVISE AND RESUBMIT
SEE TRANSMITTAL FOR ADDITIONAL INFORMATION AS APPLICABLE.
THIS REVIEW IS FOR GENERAL CONFORMANCE WITH DESIGN CONCEPT ONLY. ANY DEVIATION FROM THE PLANS OR SPECIFICATIONS NOT CLEARLY NOTED BY THE CONTRACTOR HAS NOT BEEN REVIEWED. REVIEW BY THE ENGINEER SHALL NOT RELIEVE THE CONTRACTOR OF THE CONTRACTUAL RESPONSIBILITY FOR ANY ERRORS OR DEVIATION FROM THE CONTRACT REQUIREMENTS.
JOSH OLUND
REVIEWER
January 25, 2017
DATE

APPROVAL STAMP:
1-24-17 REVISED AS NOTED
1-3-17 REVISED AS NOTED

J.P. CARRARA & SONS INC.
Precast & Prestress Manufacturer
244 GAGE STR., WOODBURY, VERMONT 05753 Phone: (802) 388-6361 Fax: (802) 388-9010
STATE OF VERMONT AGENCY OF TRANSPORTATION
COUNTY OF ORLEANS
DATE: NOV. 18, 2016
SCALE: NOTED
VILLAGE OF BARTON
TH 4 (ROARING BROOK RD.), RURAL MINOR COLLECTOR
BRIDGE NO.: 58 PROJECT NO.: BO 1449(33)
CHKD: A.S. DFTM: B.L.
JOB NO: 23498-016
PRESTRESSED SOLID SLAB DETAILS
DWG. NO: **S2**
ROARING BROOK RD.