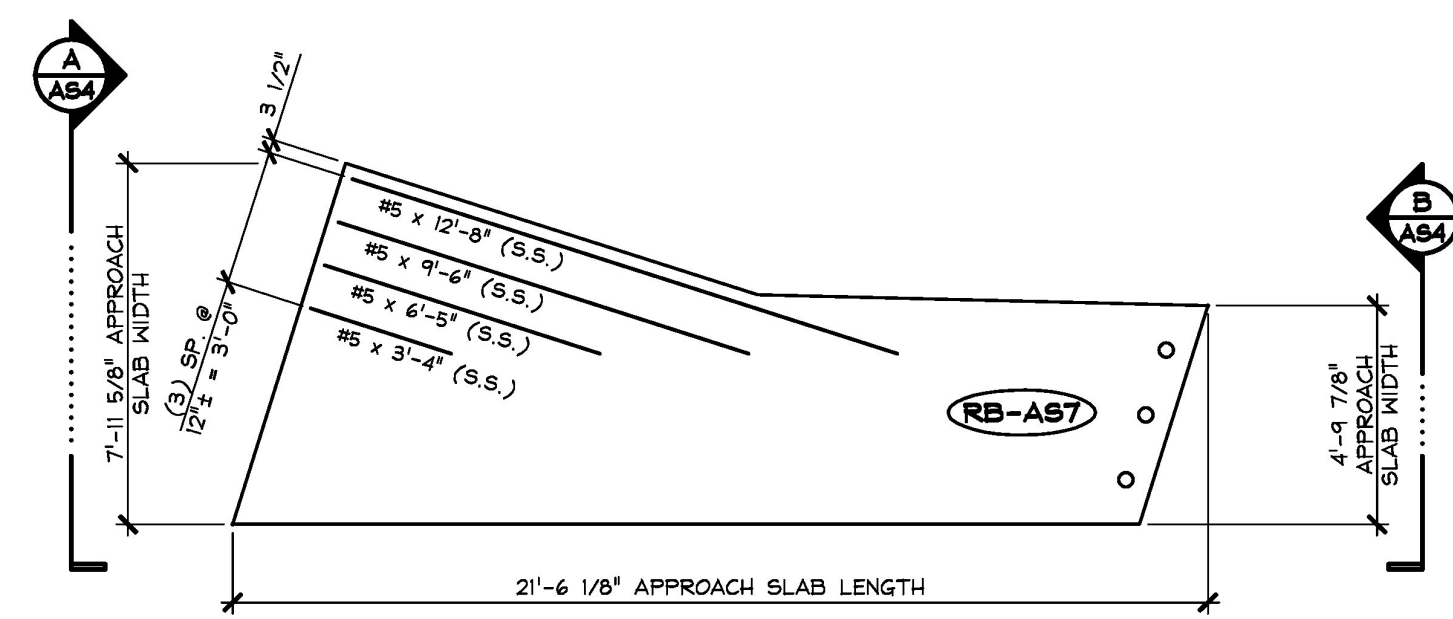
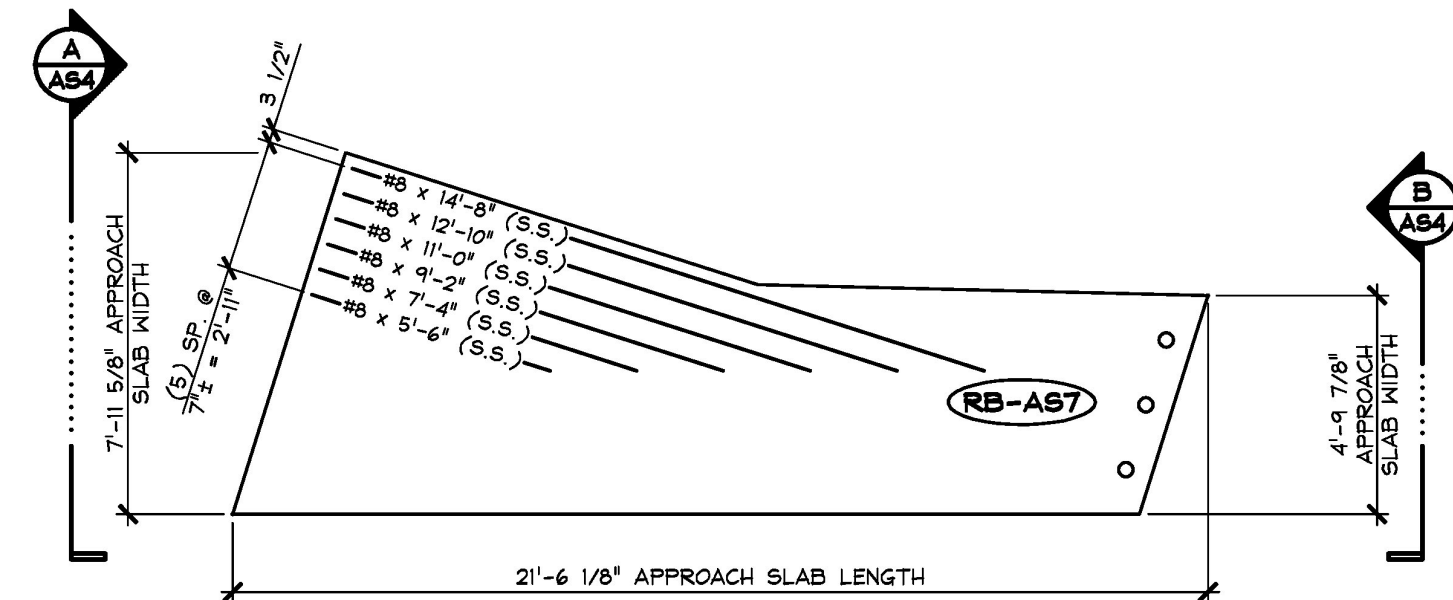


**1 PLAN VIEW IN FORM**  
AS4  
1/2" = 1'-0"

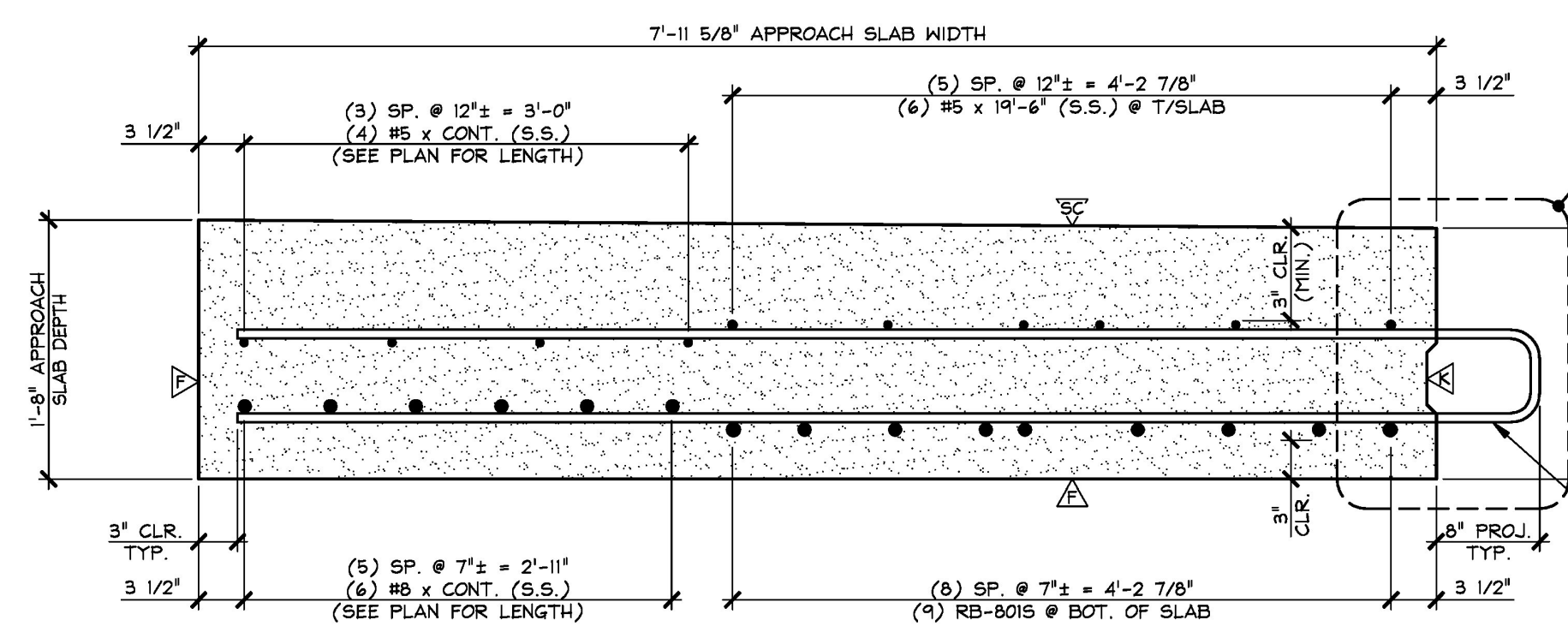


**TOP MAT REINFORCING**

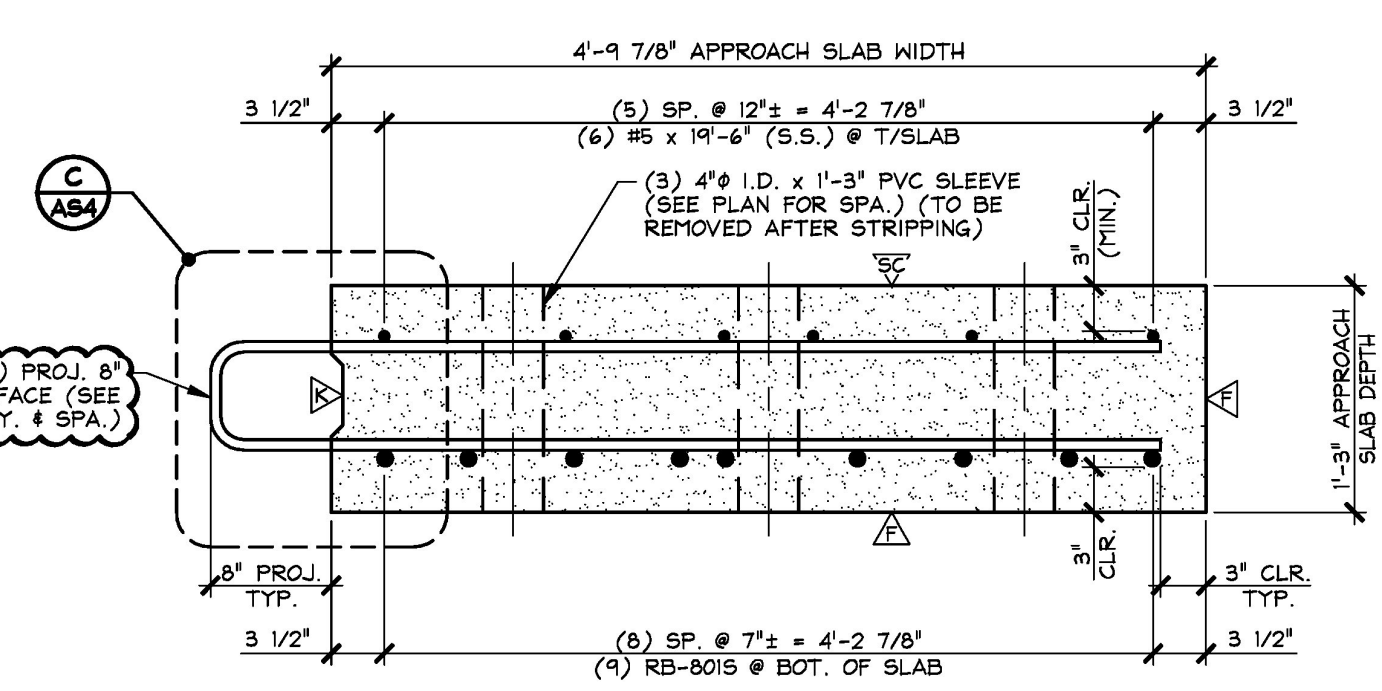


**BOTTOM MAT REINFORCING**

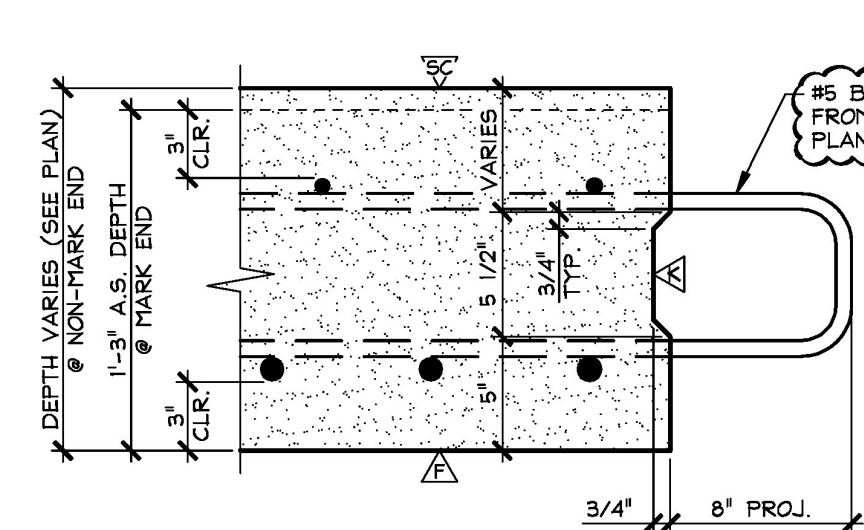
**2 ADDITIONAL REINFORCING PLANS**  
AS4  
1/4" = 1'-0"



**A TRANSVERSE SECTION**  
AS4  
1" = 1'-0"



**B TRANSVERSE SECTION**  
AS4  
1" = 1'-0"



**C SHEAR KEY SECTION**  
AS4  
1 1/2" = 1'-0"

△ DENOTES FORM FINISH  
▽ DENOTES SMOOTH SCREED FINISH  
△ DENOTES ROUGHENED FINISH (SEE GENERAL NOTE #8, SHEET F2)

**SHOP NOTE:**  
28-DAY STRENGTH = 5,000 PSI  
HANDLING STRENGTH = 3,500 PSI  
DESIGN MIX #445MSCC

MARK: RB-AS7	QTY.: 1	WT.: 12.52 T	VOL.: 6.18 cy
MARK:	QTY.:	WT.:	VOL.:

MATERIAL LIST / APPROACH SLAB			
ITEM	MARK	DESCRIPTION	QTY./SLAB
1	RB-5075	#8 BENT BAR (STAINLESS STEEL)	10
2	RB-5145	#5 BENT BAR (STAINLESS STEEL)	1
3	RB-5155	#5 BENT BAR (STAINLESS STEEL)	1
4	RB-5165	#5 BENT BAR (STAINLESS STEEL)	1
5	RB-5175	#5 BENT BAR (STAINLESS STEEL)	1
6	RB-5185	#5 BENT BAR (STAINLESS STEEL)	1
7	RB-5195	#5 BENT BAR (STAINLESS STEEL)	1
8	RB-5205	#5 BENT BAR (STAINLESS STEEL)	1
9	RB-5215	#5 BENT BAR (STAINLESS STEEL)	1
10	RB-5225	#5 BENT BAR (STAINLESS STEEL)	1
11	RB-5235	#5 BENT BAR (STAINLESS STEEL)	1
12		#5 x 1'-0" (STAINLESS STEEL)	1
13		#5 x 1'-0" (STAINLESS STEEL)	1
14		#5 x 19'-6" (STAINLESS STEEL)	6
15		#5 x 12'-8" (STAINLESS STEEL)	1
16		#5 x 9'-6" (STAINLESS STEEL)	1
17		#5 x 6'-5" (STAINLESS STEEL)	1
18		#5 x 3'-4" (STAINLESS STEEL)	1
19		#5 x 4'-6 1/2" (STAINLESS STEEL)	1
20			
21	RB-5015	#8 BENT BAR (STAINLESS STEEL)	9
22		#8 x 14'-8" (STAINLESS STEEL)	1
23		#8 x 12'-10" (STAINLESS STEEL)	1
24		#8 x 11'-0" (STAINLESS STEEL)	1
25		#8 x 9'-2" (STAINLESS STEEL)	1
26		#8 x 7'-4" (STAINLESS STEEL)	1
27		#8 x 5'-6" (STAINLESS STEEL)	1
28			
29	MK-RB5	4T x 7 1/8" SWIFT LIFT LIFTER (GALV.)	4
30		4" I.D. x 1'-3" PVC SLEEVE	3

**T.Y. LIN INTERNATIONAL**  
THE STAMPED DOCUMENTS ARE HEREBY:  
-x- APPROVED  
-o- APPROVED AS NOTED  
-r- REVISE AND RESUBMIT  
SEE TRANSMITTAL FOR ADDITIONAL INFORMATION AS APPLICABLE.  
THIS REVIEW IS FOR GENERAL CONFORMANCE WITH DESIGN CONCEPT ONLY. ANY DEVIATION FROM THE PLANS OR SPECIFICATIONS NOT CLEARLY NOTED BY THE CONTRACTOR HAS NOT BEEN REVIEWED. REVIEW BY THE ENGINEER SHALL NOT RELIEVE THE CONTRACTOR OF THE CONTRACTUAL RESPONSIBILITY FOR ANY ERRORS OR DEVIATION FROM THE CONTRACT REQUIREMENTS.  
JOSH OLUND January 25, 2017  
REVIEWER DATE

1-3-17 REVISED AS NOTED

APPROVAL STAMP:

<p><b>J.P. CARRARA &amp; SONS INC.</b> Precast &amp; Prestress Manufacturer 244 GAGE ST., MIDDLEBURY, VERMONT 05750 Phone: (802)388-6361 Fax: (802)388-9010</p>	<p>J.P. SICARD, INC. CONTRACTOR BARTON, VERMONT</p>
	<p>STATE OF VERMONT AGENCY OF TRANSPORTATION COUNTY OF ORLEANS</p>
	<p>VILLAGE OF BARTON TH 4 (ROARING BROOK RD.), RURAL MINOR COLLECTOR BRIDGE NO.: 58 PROJECT NO.: BO 1449(33)</p>
<p>PRECAST APPROACH SLAB DETAILS</p>	<p>DATE: NOV. 18, 2016 SCALE: NOTED CHKD: A.S. DFTM: B.L. JOB NO: 23498-016 DWG. NO: AS4 RDARING BROOK RD.</p>

Vermont Agency of Transportation  
**RECEIVED**  
CK'D BY T.Y. Lin International OK'D BY J. Olund  
January 24, 2017  
RESUBMIT No Approved  
BY D. Bonneau DATE 01/25/17