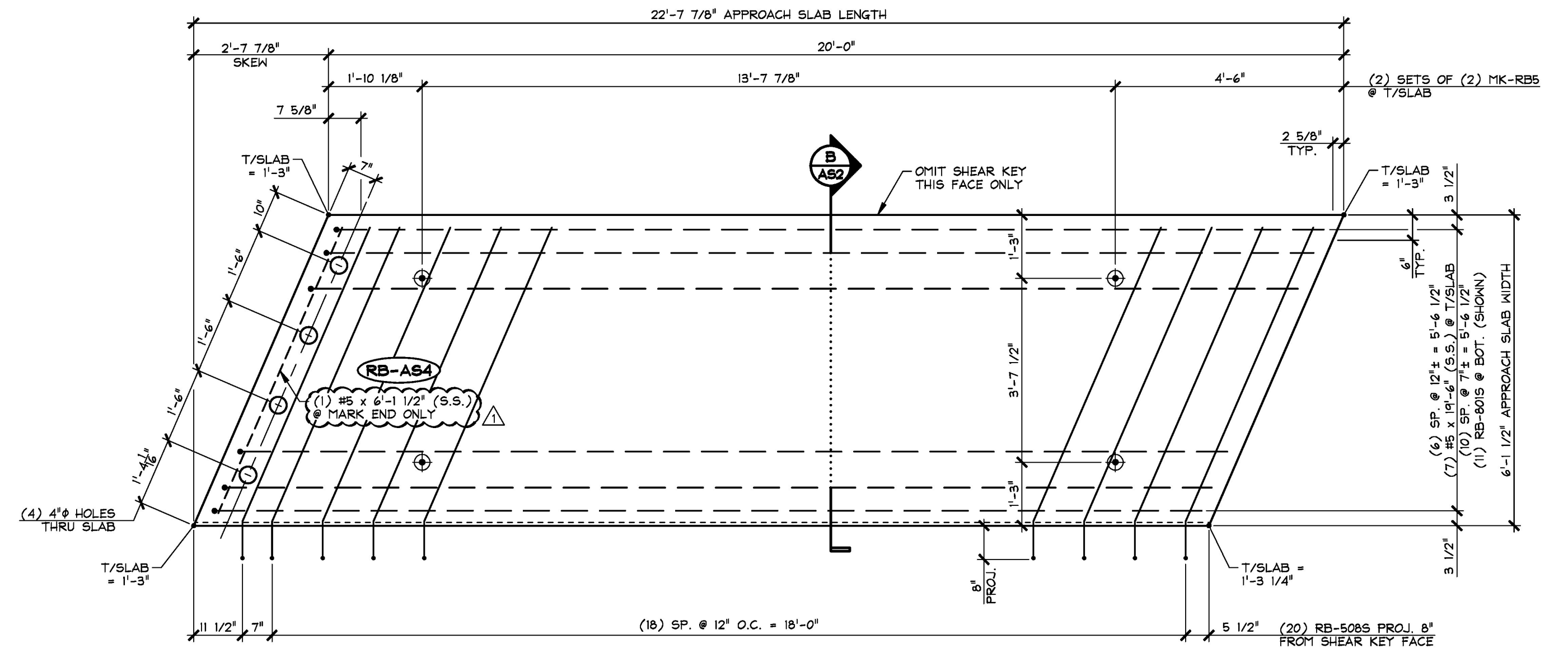
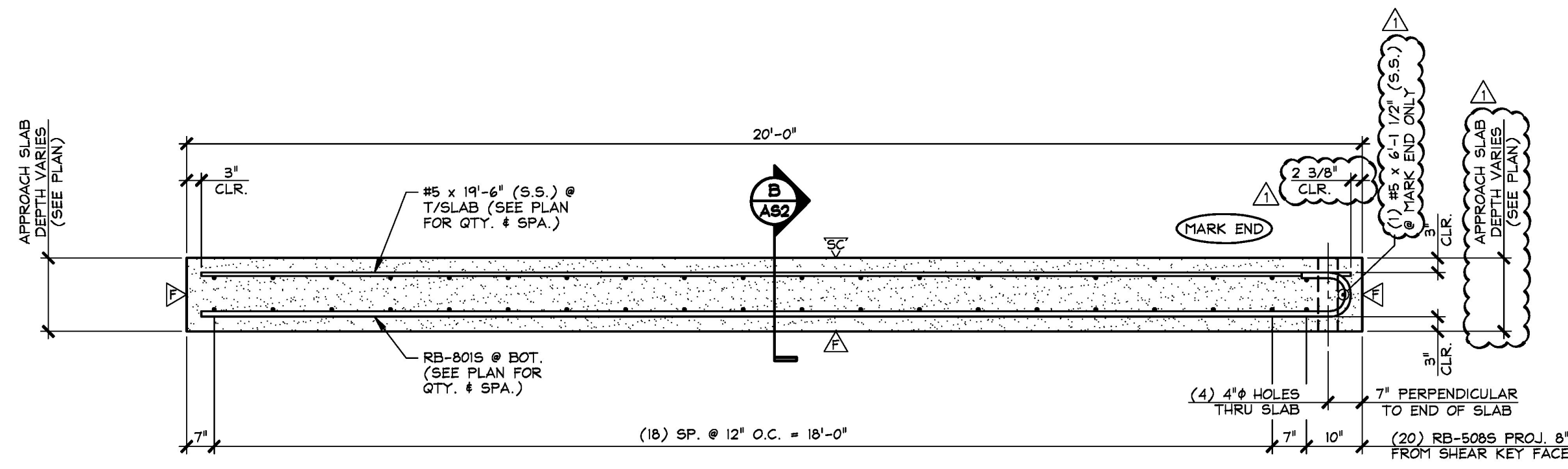


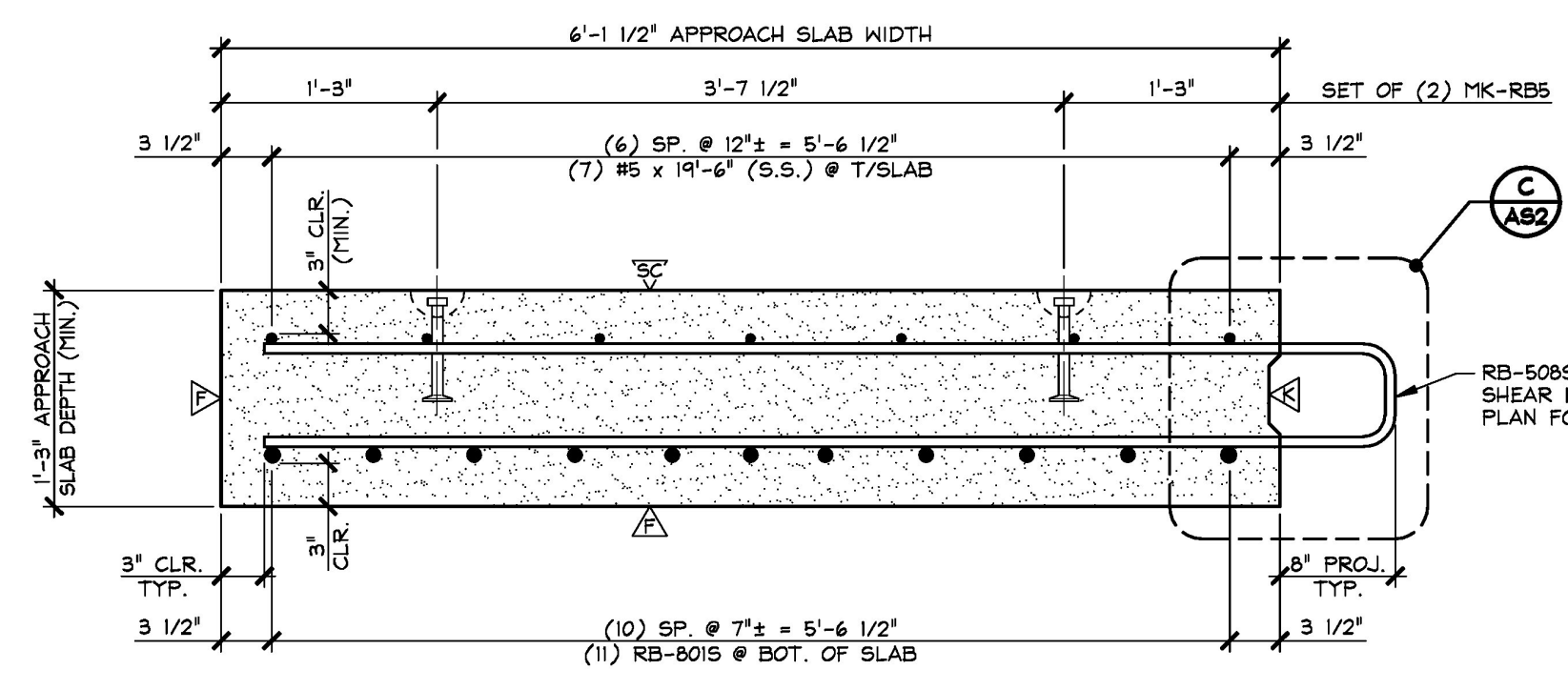
**1 PLAN VIEW IN FORM**  
AS2  
1/2" = 1'-0"



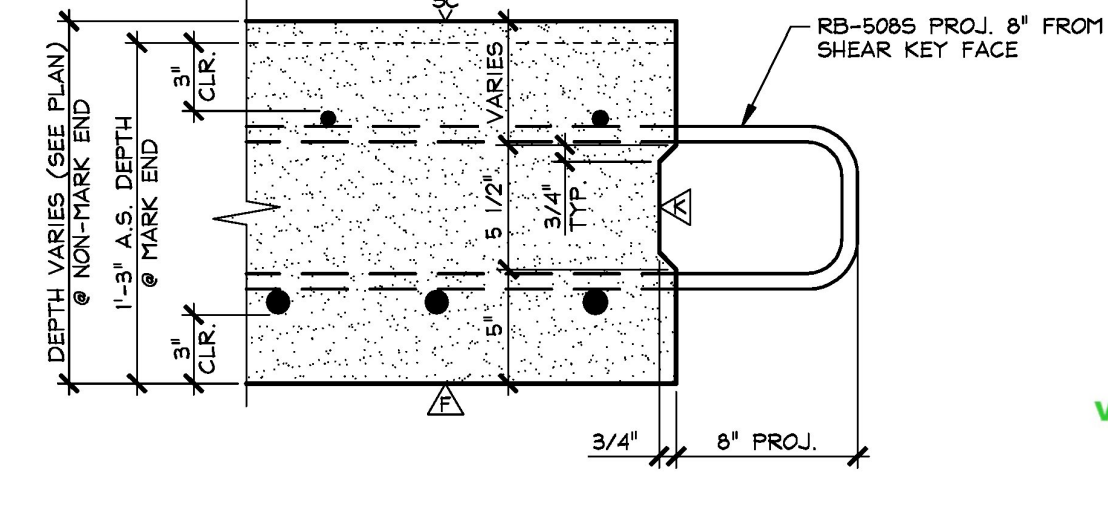
**2 PLAN VIEW IN FORM**  
AS2  
1/2" = 1'-0"



**A LONGITUDINAL SECTION**  
AS2  
1/2" = 1'-0"



**B TRANSVERSE SECTION**  
AS2  
1" = 1'-0"



**C SHEAR KEY SECTION**  
AS2  
1/2" = 1'-0"

△ DENOTES FORM FINISH  
▽ DENOTES SMOOTH SCREED FINISH  
△ DENOTES ROUGHENED FINISH (SEE GENERAL NOTE #9, SHEET P2)  
**SHOP NOTE:**  
28-DAY STRENGTH = 5,000 PSI  
HANDLING STRENGTH = 3,500 PSI  
DESIGN MIX #445MCC

MARK: RB-AS3	QTY.: 1	WT.: 11.69 T	VOL.: 5.77 cy
MARK: RB-AS4	QTY.: 1	WT.: 11.54 T	VOL.: 5.70 cy

MATERIAL LIST / APPROACH SLAB				
ITEM	MARK	DESCRIPTION	QTY./SLAB	
			AS3	AS4
1	RB-5085	#5 BENT BAR (STAINLESS STEEL)	20	20
2		#5 x 19'-6" (STAINLESS STEEL)	7	7
3		#5 x 6'-1 1/2" (STAINLESS STEEL)	1	1
4				
5	RB-5015	#8 BENT BAR (STAINLESS STEEL)	11	11
6				
7				
8	MK-RB5	4T x 7 1/8" SWIFT LIFT LIFTER (GALV.)	4	4
9		4" I.D. x 1'-3" PVC SLEEVE	4	4
10				

**T.Y. LIN INTERNATIONAL**  
THE STAMPED DOCUMENTS ARE HEREBY:  
-X- APPROVED  
- - - APPROVED AS NOTED  
- - - REVISE AND RESUBMIT  
SEE TRANSMITTAL FOR ADDITIONAL INFORMATION AS APPLICABLE.  
THIS REVIEW IS FOR GENERAL CONFORMANCE WITH DESIGN CONCEPT ONLY. ANY DEVIATION FROM THE PLANS OR SPECIFICATIONS NOT CLEARLY NOTED BY THE CONTRACTOR HAS NOT BEEN REVIEWED. REVIEW BY THE ENGINEER SHALL NOT RELIEVE THE CONTRACTOR OF THE CONTRACTUAL RESPONSIBILITY FOR ANY ERRORS OR DEVIATION FROM THE CONTRACT REQUIREMENTS.  
JOSH OLUND  
REVIEWER  
January 25, 2017  
DATE

1-3-17 REVISED AS NOTED

APPROVAL STAMP:  
**RECEIVED**  
Vermont Agency of Transportation  
CK'D BY T.Y. Lin International OK'D BY J. Olund  
January 24, 2017  
RESUBMIT No Approved  
BY D. Bonneau DATE 01/25/17

**J.P. CARRARA & SONS INC.**  
Precast & Prestress Manufacturer  
2464 GAGE ST., WOODSBOURNE, VERMONT 05753 Phone: (802)388-6361 Fax: (802)388-9010  
**STATE OF VERMONT AGENCY OF TRANSPORTATION**  
COUNTY OF ORLEANS  
VILLAGE OF BARTON  
TH 4 (ROARING BROOK RD.), RURAL MINOR COLLECTOR  
BRIDGE NO.: 58 PROJECT NO.: BO 1449(33)  
**PRECAST APPROACH SLAB DETAILS**

**J.P. SICARD, INC.**  
CONTRACTOR  
BARTON, VERMONT  
DATE: NOV. 18, 2016  
SCALE: NOTED  
CHKD: A.S. DFTM: B.L.  
JOB NO: 2349B-016  
DWG. NO: AS2  
ROARING BROOK RD.