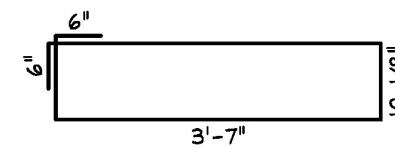
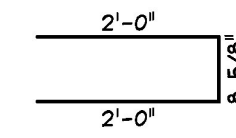


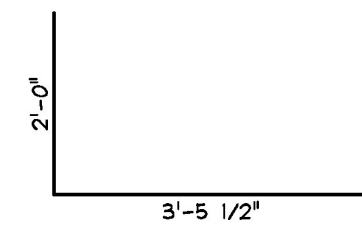
**GR-401S**  
#4 BENT BAR  
STAINLESS STEEL  
USE 3/8" PIN  
(130) REQ'D.



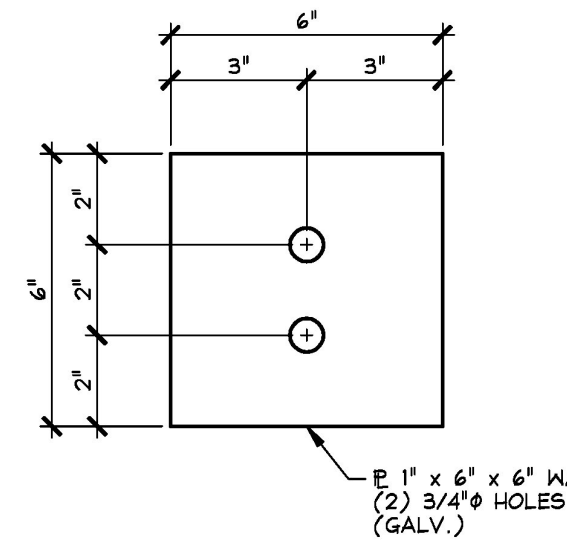
**GR-501S**  
#5 BENT BAR  
STAINLESS STEEL  
USE 3/8" PIN  
(664) REQ'D.



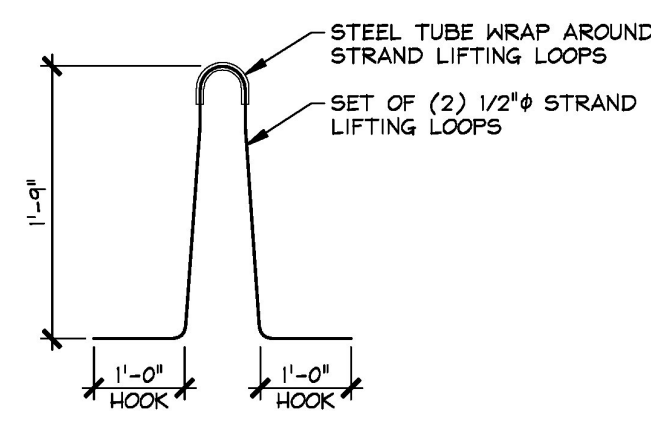
**GR-502S**  
#5 BENT BAR  
STAINLESS STEEL  
USE 3/8" PIN  
(80) REQ'D.



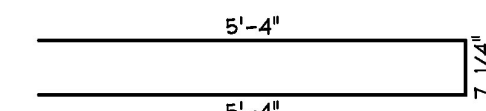
**GR-503S**  
#5 BENT BAR  
STAINLESS STEEL  
USE 3/8" PIN  
(64) REQ'D.



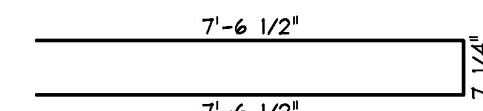
**EM - G R 1**  
(10) REQ'D.



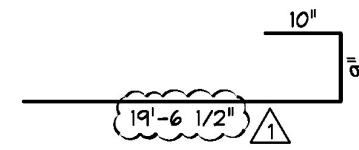
**M K - G R 2**  
(32) REQ'D.



**GR-504S**  
#5 BENT BAR  
STAINLESS STEEL  
USE 3/8" PIN  
(156) REQ'D.



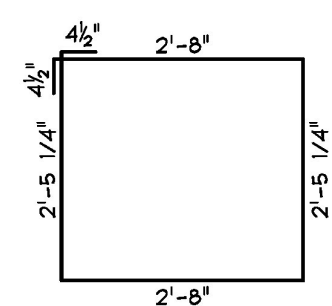
**GR-505S**  
#5 BENT BAR  
STAINLESS STEEL  
USE 3/8" PIN  
(76) REQ'D.



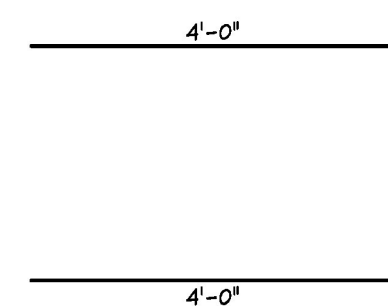
**GR-601S**  
#6 BENT BAR  
STAINLESS STEEL  
USE 4/8" PIN  
(88) REQ'D.

**PRESTRESSED SOLID SLABS**

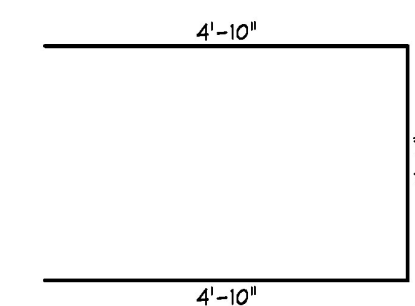
**PRECAST APPROACH SLABS**



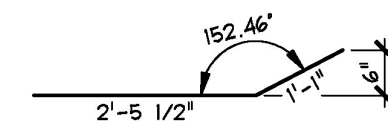
**GR-402S**  
#4 BENT BAR  
STAINLESS STEEL  
USE 3/8" PIN  
(40) REQ'D.



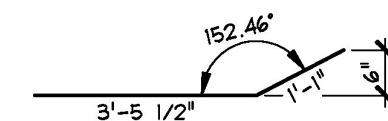
**GR-506S**  
#5 BENT BAR  
STAINLESS STEEL  
USE 3/8" PIN  
(70) REQ'D.



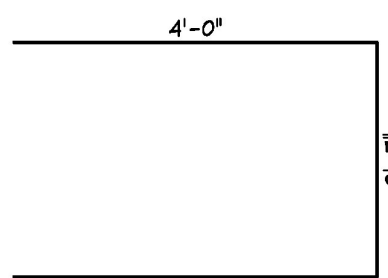
**GR-507S**  
#5 BENT BAR  
STAINLESS STEEL  
USE 3/8" PIN  
(18) REQ'D.



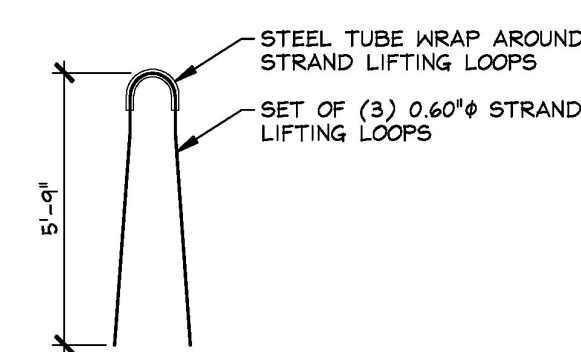
**GR-508S**  
#5 BENT BAR  
STAINLESS STEEL  
USE 3/8" PIN  
(9) REQ'D.



**GR-509S**  
#5 BENT BAR  
STAINLESS STEEL  
USE 3/8" PIN  
(6) REQ'D.



**GR-601S**  
#6 BENT BAR  
STAINLESS STEEL  
USE 4/8" PIN  
(130) REQ'D.



**M K - G R 7**  
(8) REQ'D.

**PRECAST ABUTMENTS**

MISCELLANEOUS MATERIALS				
ITEM	MARK	QTY.	DESCRIPTION	REMARKS
1	EM-GR1	10	E 1' x 6' x 6' W/ (2) 3/4" HOLES (GALV.)	FOR ERECTION; SEE DETAIL THIS SHEET
2		10	0.60" SINGLE USE STRESSING CHUCK	FOR ERECTION
3		20	0.60" SINGLE USE STRESSING CHUCK	FOR ERECTION
4		35	COMPRESSIBLE SEALER SELF ADHESIVE	FOR ERECTION
5				
6	MK-GR2	32	SET OF (2) 1/2" STRAND LIFTING LOOPS	SEE DETAIL THIS SHEET
7	MK-GR3	22	DAYTON C-24 TYPE 4-APR DECK FORM HANGER	GALVANIZED
8	MK-GR4	22	DAYTON 3/4" LOOP FERRULE INSERT	GALVANIZED
9				
10				
11		40	#5 x 44'-8" (STAINLESS STEEL)	
12		32	#5 x 3'-6" (STAINLESS STEEL)	
13				
14				
15				
16	MK-GR5	32	4T x 7 1/8" SWIFT LIFT LIFTER	GALVANIZED
17		40	4" I.D. x 1'-3" PVC SLEEVE	
18				
19				
20		60	#5 x 19'-6" (STAINLESS STEEL)	
21				
22				
23				
24				
25				
26	MK-GR6	13	DAYTON #5 x 2'-2" D101A DOWEL BAR	STAINLESS STEEL (INCLUDES (3) FOR TESTING)
27	MK-GR7	8	SET OF (3) 0.60" STRAND LIFTING LOOPS	SEE DETAIL THIS SHEET
28				
29		8	2'-0" x 3'-0" CORRUGATED STEEL PIPE	GALVANIZED
30		32	4" x 1'-0" CORRUGATED STEEL SLEEVE	GALVANIZED
31		2	4" x 2'-2 3/16" CORRUGATED STEEL PIPE	GALVANIZED
32		2	4" x 2'-4 3/8" CORRUGATED STEEL PIPE	GALVANIZED
33		2	4" x 2'-2 13/16" CORRUGATED STEEL PIPE	GALVANIZED
34		2	4" x 2'-4 15/16" CORRUGATED STEEL PIPE	GALVANIZED
35		2	4" x 2'-1 1/4" CORRUGATED STEEL PIPE	GALVANIZED
36		2	4" x 2'-3 3/8" CORRUGATED STEEL PIPE	GALVANIZED
37		2	4" x 2'-1 7/8" CORRUGATED STEEL PIPE	GALVANIZED
38		2	4" x 2'-4" CORRUGATED STEEL PIPE	GALVANIZED
39				
40		10	#5 x 37'-6 3/4" (STAINLESS STEEL)	
41		4	#5 x 1'-6" (STAINLESS STEEL)	
42		25	#5 x 3'-5" (STAINLESS STEEL)	
43		6	#5 x 4'-5" (STAINLESS STEEL)	
44		4	#5 x 2'-6" (STAINLESS STEEL)	
45		10	#5 x 39'-6" (STAINLESS STEEL)	
46				
47		40	#8 x 3'-0" (STAINLESS STEEL)	
48		8	#8 x 37'-6 3/4" (STAINLESS STEEL)	
49		8	#8 x 39'-6" (STAINLESS STEEL)	
50				

PRESTRESSED SOLID SLABS  
PRECAST APPROACH SLABS  
PRECAST ABUTMENTS

Vermont Agency of Transportation  
**RECEIVED**  
CK'D BY T.Y. Lin International OK'D BY J. Olund  
January 24, 2017  
RESUBMIT No Approved  
BY D. Bonneau DATE 01/25/17

**T.Y. LIN INTERNATIONAL**  
THE STAMPED DOCUMENTS ARE HEREBY:  
- X - APPROVED  
- APPROVED AS NOTED  
- REVISE AND RESUBMIT  
SEE TRANSMITTAL FOR ADDITIONAL INFORMATION AS APPLICABLE.  
THIS REVIEW IS FOR GENERAL CONFORMANCE WITH DESIGN CONCEPT ONLY. ANY DEVIATION FROM THE PLANS OR SPECIFICATIONS NOT CLEARLY NOTED BY THE CONTRACTOR HAS NOT BEEN REVIEWED. REVIEW BY THE ENGINEER SHALL NOT RELIEVE THE CONTRACTOR OF THE CONTRACTUAL RESPONSIBILITY FOR ANY ERRORS OR DEVIATION FROM THE CONTRACT REQUIREMENTS.  
JOSH OLUND REVIEWER January 25, 2017 DATE

1-3-17 REVISED AS NOTED

APPROVAL STAMP:	<b>J.P. CARRARA &amp; SONS INC.</b> Precast & Prestress Manufacturer 244 GAGE STR., MIDDLEBURY, VERMONT 05750 Phone: (802)388-6361 Fax: (802)388-9010	J.P. SICARD, INC. CONTRACTOR BARTON, VERMONT
STATE OF VERMONT AGENCY OF TRANSPORTATION COUNTY OF ORLEANS		DATE: NOV. 18, 2016 SCALE: NOTED
VILLAGE OF BARTON TH 2 (GLOVER ROAD), RURAL MAJOR COLLECTOR BRIDGE NO.: 20 PROJECT NO.: BHF 0286(5)		CHKD: A.S. DFTM: B.L. JOB NO.: 2349B-016
MATERIALS LIST		DWG. NO: M1 GLOVER ROAD