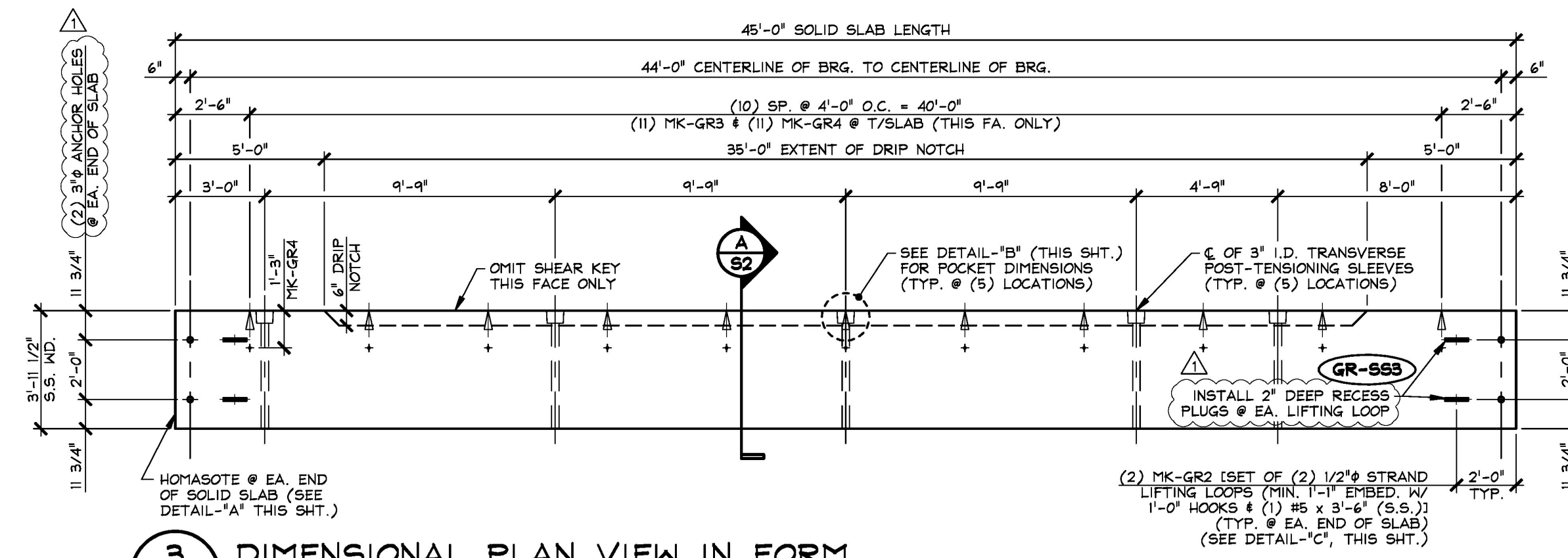
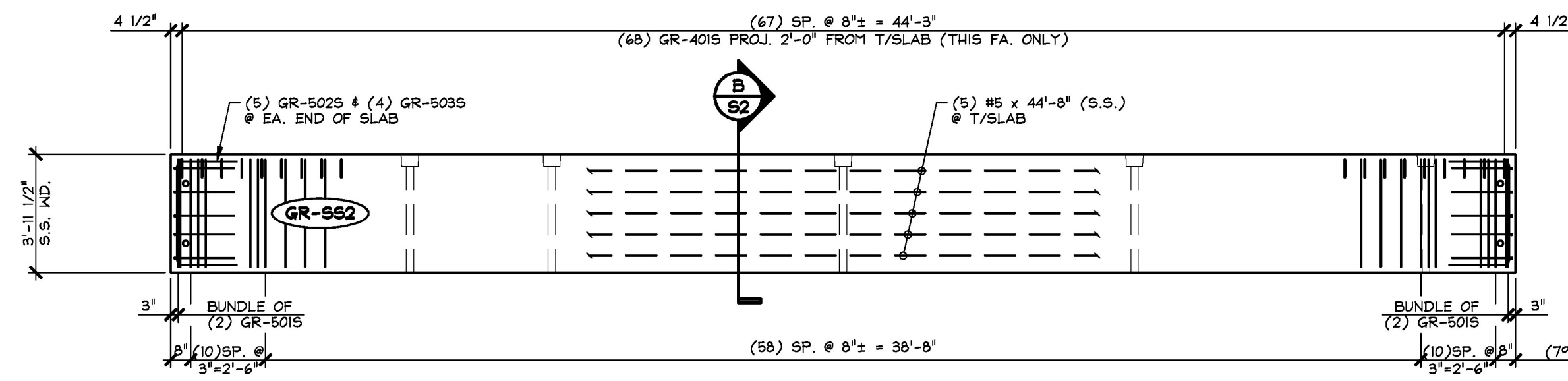


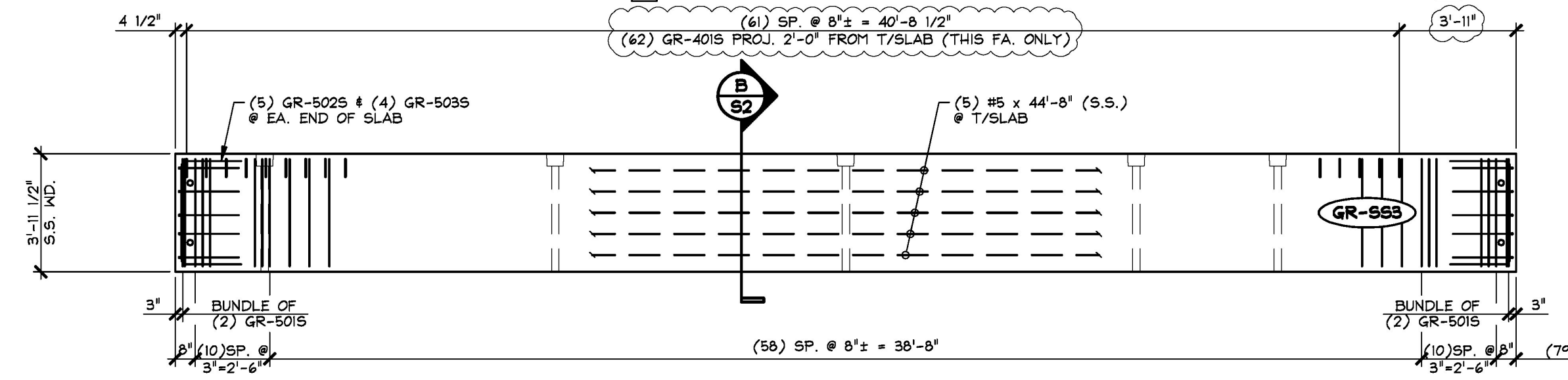
1 DIMENSIONAL PLAN VIEW IN FORM
S2
1/4" = 1'-0"



3 DIMENSIONAL PLAN VIEW IN FORM
S2
1/4" = 1'-0"



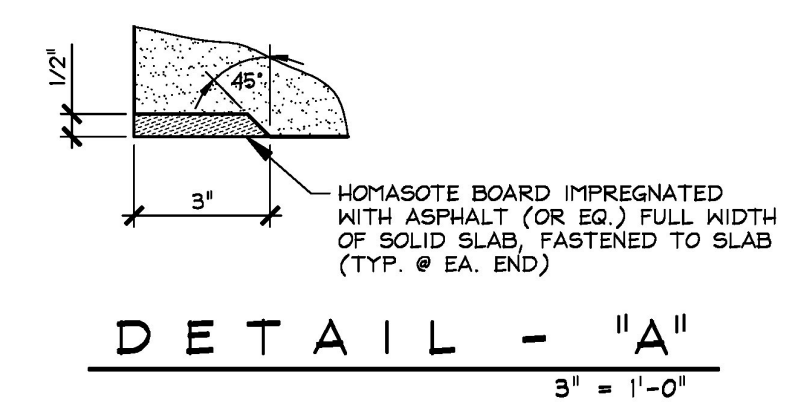
2 REINFORCING PLAN VIEW IN FORM
S2
1/4" = 1'-0"



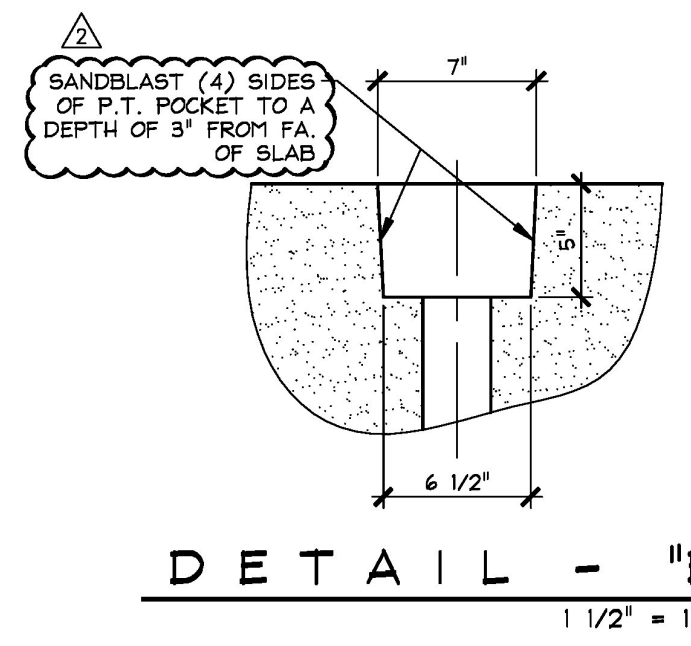
4 REINFORCING PLAN VIEW IN FORM
S2
1/4" = 1'-0"

SHOP NOTE:
ADJUST REINFORCING AS REQUIRED TO CLEAR INSERTS, SLEEVES, ETC.

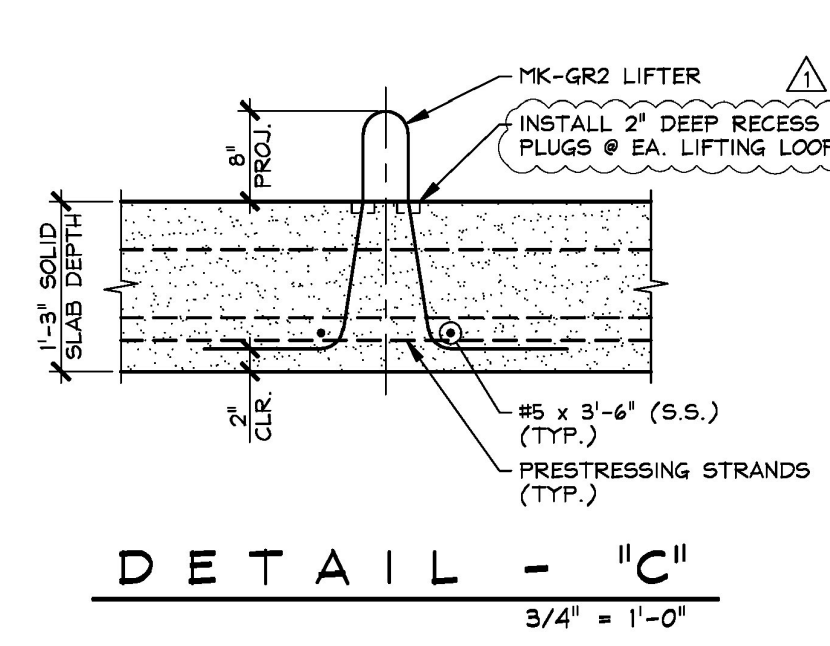
SHOP NOTE:
ADJUST REINFORCING AS REQUIRED TO CLEAR INSERTS, SLEEVES, ETC.



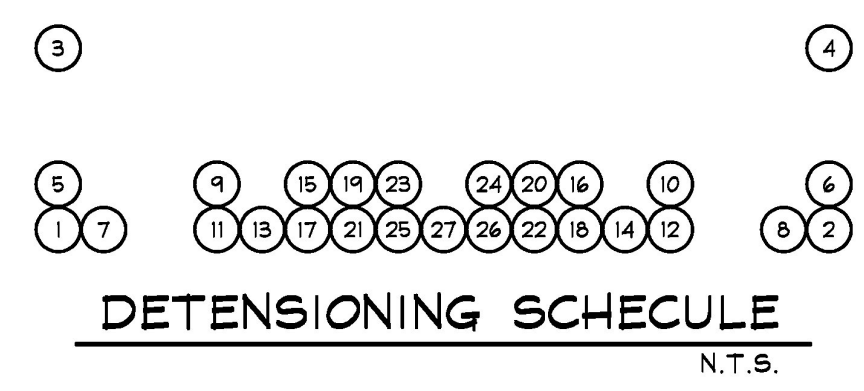
DETAIL - "A"
3" = 1'-0"



DETAIL - "B"
1 1/2" = 1'-0"



DETAIL - "C"
3/4" = 1'-0"



DETENSIONING SCHEDULE
N.T.S.

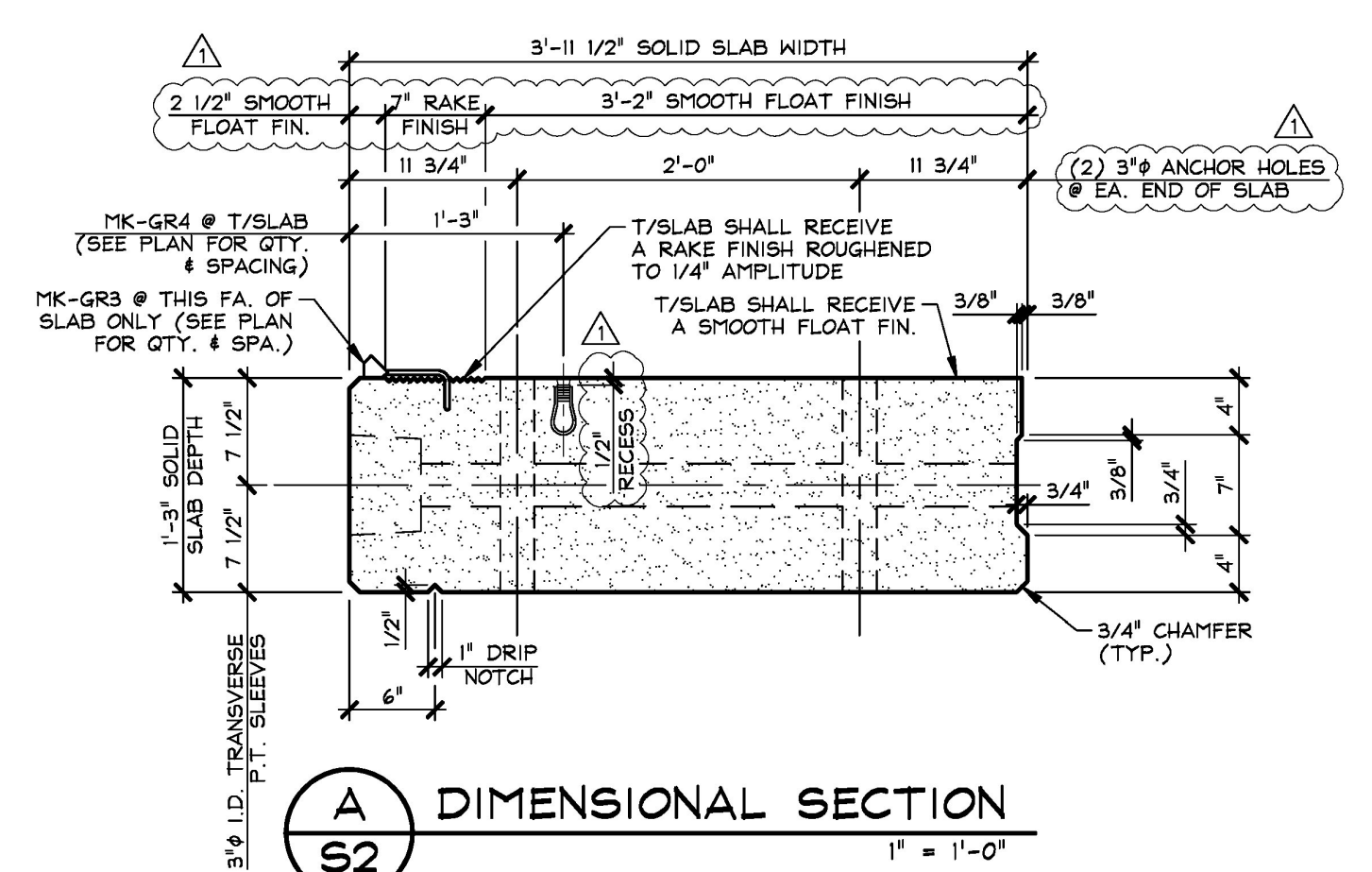
T.Y. LIN INTERNATIONAL
THE STAMPED DOCUMENTS ARE HEREBY:
- APPROVED AS NOTED
- REVISED AND RESUBMIT
SEE TRANSMITTAL FOR ADDITIONAL INFORMATION AS APPLICABLE.
THIS REVIEW IS FOR GENERAL CONFORMANCE WITH DESIGN CONCEPT ONLY. ANY DEVIATION FROM THE PLANS OR SPECIFICATIONS NOT CLEARLY NOTED BY THE CONTRACTOR HAS NOT BEEN REVIEWED. REVIEW BY THE ENGINEER SHALL NOT RELIEVE THE CONTRACTOR OF THE CONTRACTUAL RESPONSIBILITY FOR ANY ERRORS OR DEVIATION FROM THE CONTRACT REQUIREMENTS.
JOSH OLUND January 25, 2017
REVIEWER DATE

1-24-17 REVISED AS NOTED
1-3-17 REVISED AS NOTED

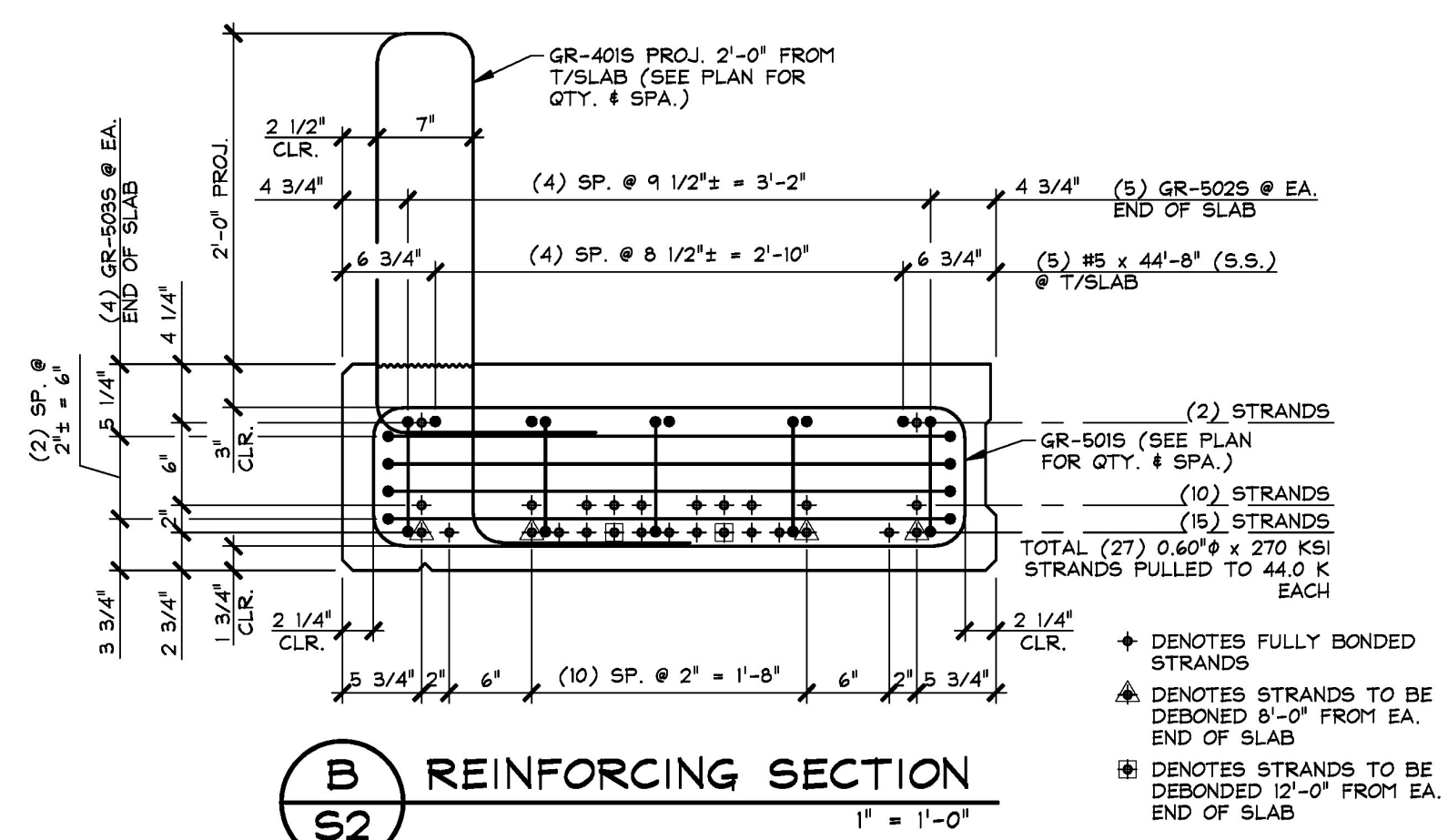
Vermont Agency of Transportation
RECEIVED
CK'D BY T.Y. Lin International OK'D BY J. Olund
January 24, 2017
RESUBMIT No Approved
BY D. Bonneau DATE 01/25/17
SHOP NOTE:
28-DAY STRENGTH = 9,000 PSI
STRESS TRANSFER STRENGTH = 6,000 PSI
(DESIGN MIX #430M NG-DC)

MARK:	GR-SS2	QTY.:	1	WT.:	16.53 T	VOL.:	8.16 cy
MARK:	GR-SS3	QTY.:	1	WT.:	16.53 T	VOL.:	8.16 cy

MATERIAL LIST / SOLID SLAB				
ITEM	MARK	DESCRIPTION	QTY./SLAB	
			SS2	SS3
1	GR-4015	#4 BENT BAR (STAINLESS STEEL)	68	62
2				
3	GR-5015	#5 BENT BAR (STAINLESS STEEL)	83	83
4	GR-5025	#5 BENT BAR (STAINLESS STEEL)	10	10
5	GR-5035	#5 BENT BAR (STAINLESS STEEL)	8	8
6		#5 x 44'-8" (STAINLESS STEEL)	5	5
7		#5 x 3'-6" (STAINLESS STEEL)	4	4
8	MK-GR2	SET OF (2) 1/2" STRAND LIFTING LOOPS	4	4
9	MK-GR3	DAYTON C-24 TYPE 4-APR DECK FORM HANGER (GALV.)	11	11
10	MK-GR4	DAYTON 3/4" LOOP FERRULE INSERT (GALV.)	11	11



A DIMENSIONAL SECTION
S2
1" = 1'-0"



B REINFORCING SECTION
S2
1" = 1'-0"

APPROVAL STAMP:

J.P. CARRARA & SONS INC.
Precast & Prestress Manufacturer
244 GAGE ST., WOODSBURY, VERMONT 05753 Phone: (802)388-6361 Fax: (802)388-9010
STATE OF VERMONT AGENCY OF TRANSPORTATION
COUNTY OF ORLEANS
VILLAGE OF BARTON
TH 2 (GLOVER ROAD), RURAL MAJOR COLLECTOR
BRIDGE NO.: 20 PROJECT NO.: BHF 0286(5)
PRESTRESSED SOLID SLAB DETAILS

J.P. SICARD, INC.
CONTRACTOR
BARTON, VERMONT
DATE: NOV. 18, 2016
SCALE: NOTED
CHKD: A.S. DFTM: B.L.
JOB NO: 23498-016
DWG. NO: **S2**
GLOVER ROAD