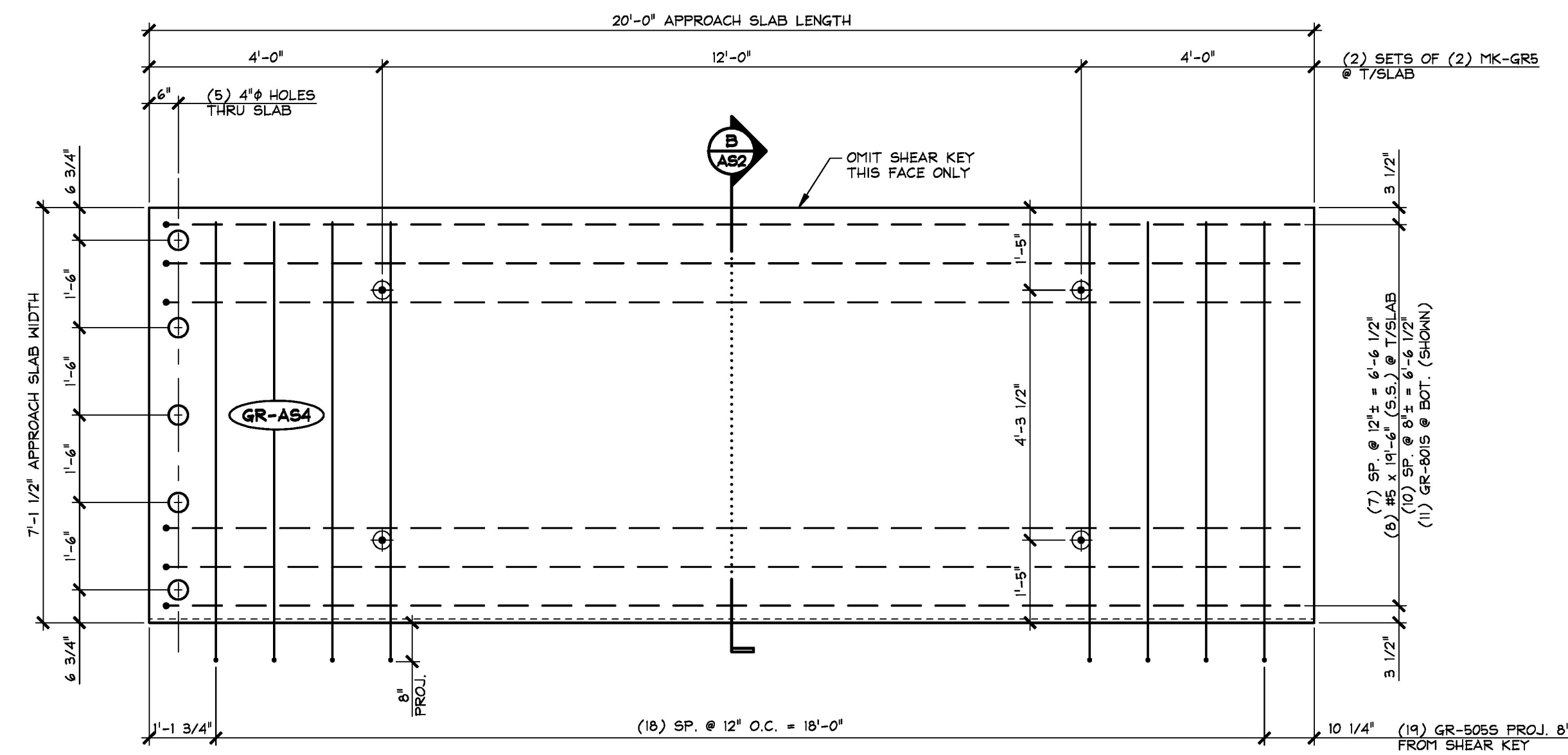
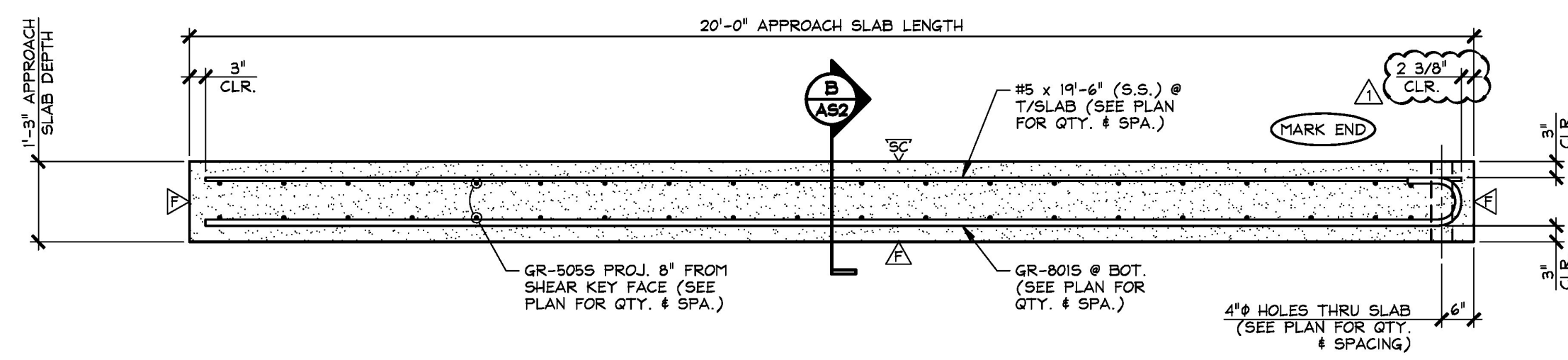


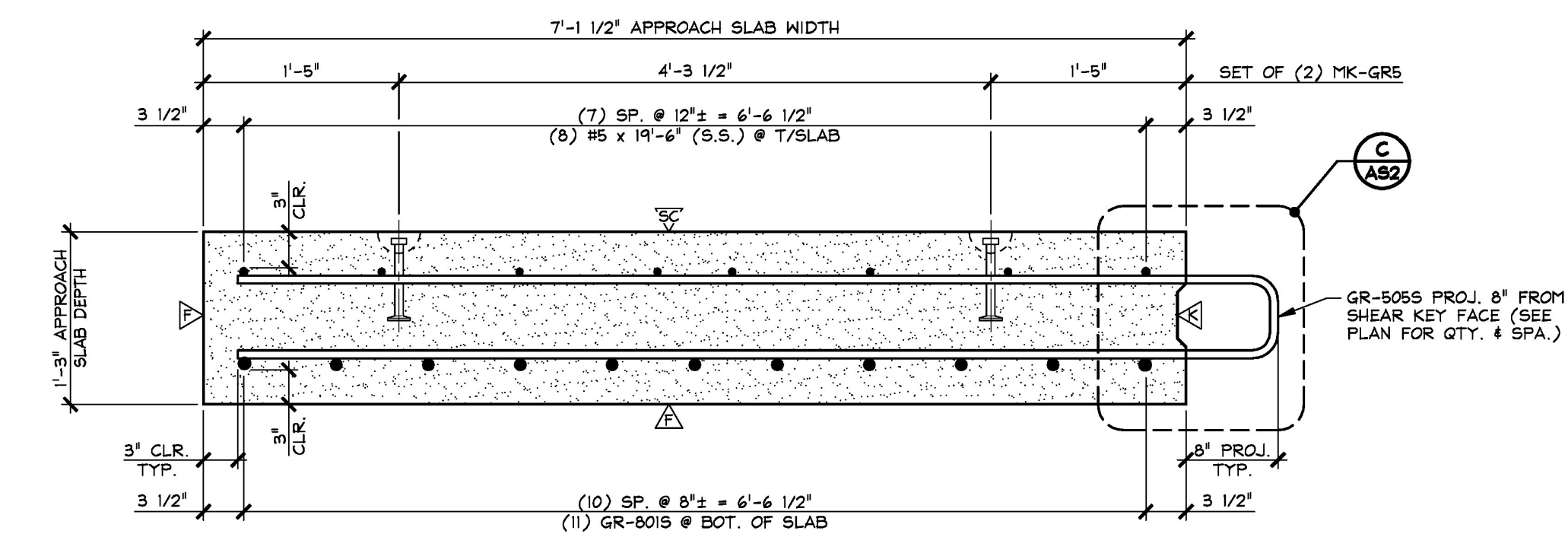
1 PLAN VIEW IN FORM  
AS2 1/2" = 1'-0"



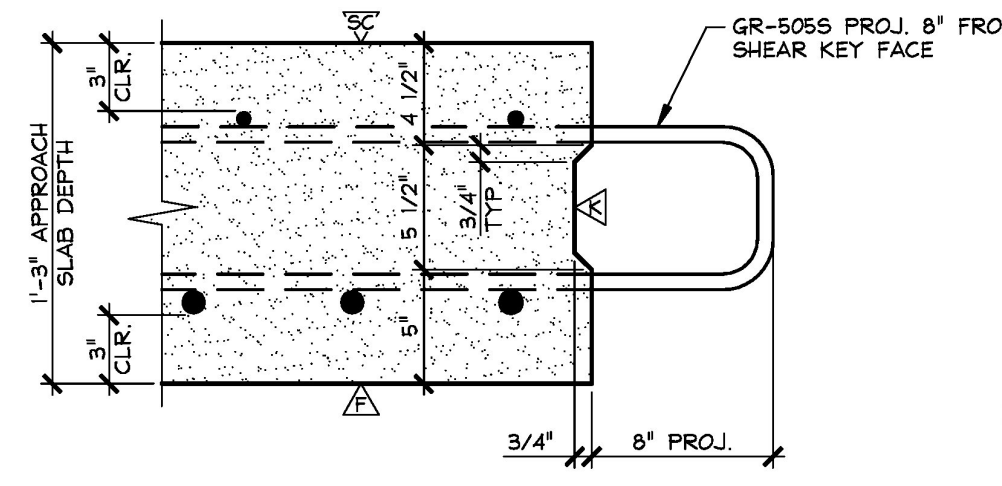
2 PLAN VIEW IN FORM  
AS2 1/2" = 1'-0"



A LONGITUDINAL SECTION  
AS2 1/2" = 1'-0"



B TRANSVERSE SECTION  
AS2 1" = 1'-0"



C SHEAR KEY SECTION  
AS2 1/2" = 1'-0"

△ DENOTES FORM FINISH  
▽ DENOTES SMOOTH SCREED FINISH  
▲ DENOTES ROUGHENED FINISH (SEE APPROACH SLAB GENERAL NOTE #9, SHEET 122)

**SHOP NOTE:**  
28-DAY STRENGTH = 5,000 PSI  
HANDLING STRENGTH = 3,500 PSI  
DESIGN MIX #445MCC

MARK: GR-AS3	QTY.: 2	WT.: 13.32 T	VOL.: 6.58 cy
MARK: GR-AS4	QTY.: 2	WT.: 13.32 T	VOL.: 6.58 cy

MATERIAL LIST / APPROACH SLAB				
ITEM	MARK	DESCRIPTION	QTY./SLAB	
			AS3	AS4
1	GR-5055	#5 BENT BAR (STAINLESS STEEL)	20	19
2		#5 x 19'-6" (S.S.) @ T/SLAB (SEE PLAN FOR QTY. & SPA.)	8	8
3				
4	GR-8015	#6 BENT BAR (STAINLESS STEEL)	11	11
5				
6				
7	MK-GR5	4T x 7 1/8" SWIFT LIFT LIFTER (GALV.)	4	4
8		4" I.D. x 1'-3" PVC SLEEVE	5	5
9				
10				

**T.Y. LIN INTERNATIONAL**  
THE STAMPED DOCUMENTS ARE HEREBY:  
-X- APPROVED  
- - - APPROVED AS NOTED  
- - - REVISE AND RESUBMIT  
SEE TRANSMITTAL FOR ADDITIONAL INFORMATION AS APPLICABLE.  
THIS REVIEW IS FOR GENERAL CONFORMANCE WITH DESIGN CONCEPT ONLY. ANY DEVIATION FROM THE PLANS OR SPECIFICATIONS NOT CLEARLY NOTED BY THE CONTRACTOR HAS NOT BEEN REVIEWED. REVIEW BY THE ENGINEER SHALL NOT RELIEVE THE CONTRACTOR OF THE CONTRACTUAL RESPONSIBILITY FOR ANY ERRORS OR DEVIATION FROM THE CONTRACT REQUIREMENTS.  
JOSH OLUND, REVIEWER, January 25, 2017, DATE

1-3-17 REVISED AS NOTED

APPROVAL STAMP:

**J.P. CARRARA & SONS INC.**  
Precast & Prestress Manufacturer  
244 GAGE ST., WOODBURY, VERMONT 05753 Phone: (802)388-6361 Fax: (802)388-9010

**J.P. SICARD, INC.**  
CONTRACTOR  
BARTON, VERMONT

STATE OF VERMONT AGENCY OF TRANSPORTATION  
COUNTY OF ORLEANS

VILLAGE OF BARTON  
TH 2 (GLOVER ROAD), RURAL MAJOR COLLECTOR  
BRIDGE NO.: 20 PROJECT NO.: BHF 0286(5)

DATE: NOV. 18, 2016  
SCALE: NOTED  
CHKD: A.S. DFTM: B.L.  
JOB NO: 23498-016  
DWG. NO: AS2  
GLOVER ROAD

Vermont Agency of Transportation  
**RECEIVED**  
CK'D BY T.Y. Lin International OK'D BY J. Olund  
January 24, 2017  
RESUBMIT No Approved  
BY D. Bonneau DATE 01/25/17