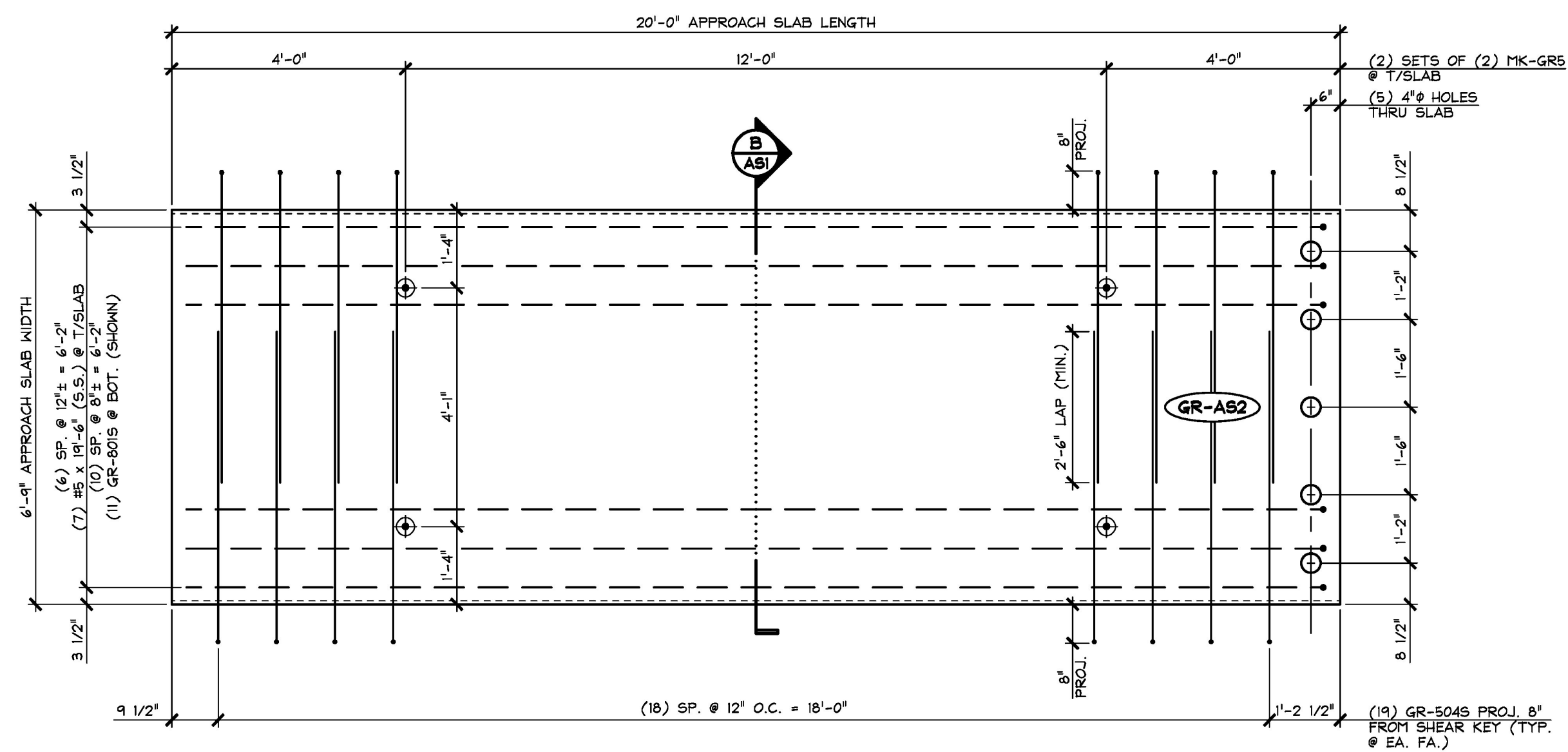
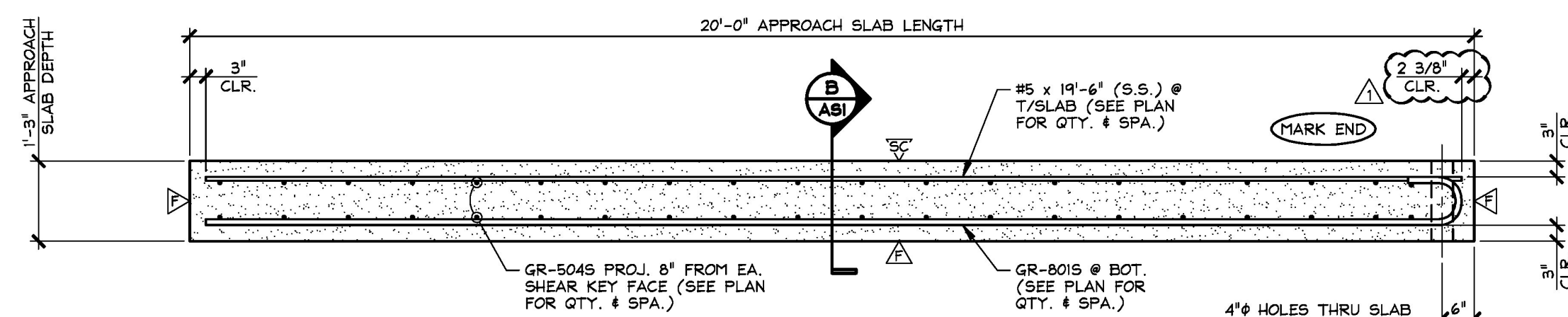


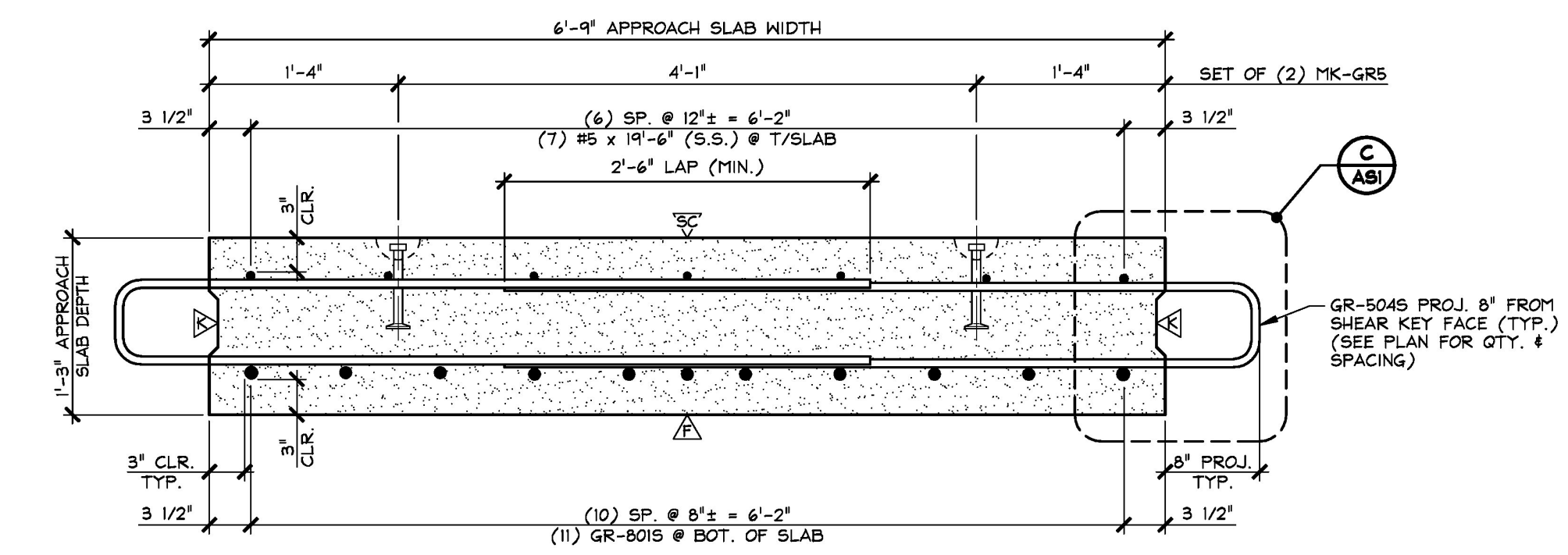
1 PLAN VIEW IN FORM
ASI 1/2" = 1'-0"



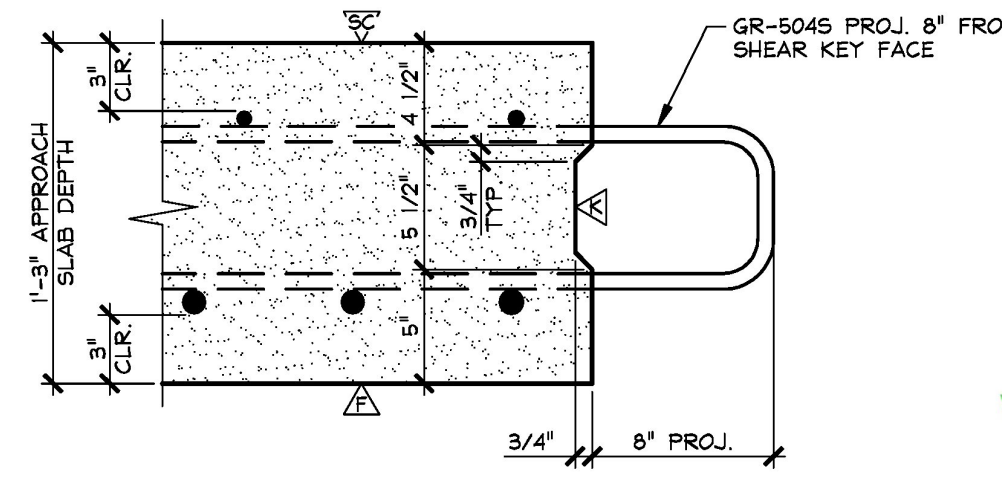
2 PLAN VIEW IN FORM
ASI 1/2" = 1'-0"



A LONGITUDINAL SECTION
ASI 1/2" = 1'-0"



B TRANSVERSE SECTION
ASI 1" = 1'-0"



C SHEAR KEY SECTION
ASI 1/2" = 1'-0"

▲ DENOTES FORM FINISH
 ▽ DENOTES SMOOTH SCREED FINISH
 △ DENOTES ROUGHENED FINISH (SEE APPROACH SLAB GENERAL NOTE #8, SHEET T2)
SHOP NOTE:
 28-DAY STRENGTH = 5,000 PSI
 HANDLING STRENGTH = 3,500 PSI
 DESIGN MIX #445M5CC

MARK: GR-AS1	QTY.: 2	WT.: 12.58 T	VOL.: 6.21 cy
MARK: GR-AS2	QTY.: 2	WT.: 12.58 T	VOL.: 6.21 cy

MATERIAL LIST / APPROACH SLAB				
ITEM	MARK	DESCRIPTION	QTY./SLAB	
			AS1	AS2
1	GR-5045	#5 BENT BAR (STAINLESS STEEL)	40	38
2		#5 x 19'-6" (STAINLESS STEEL)	7	7
3				
4	GR-B015	#8 BENT BAR (STAINLESS STEEL)	11	11
5				
6				
7	MK-GR5	4T x 7 1/8" SWIFT LIFT LIFTER (GALV.)	4	4
8		4" I.D. x 1'-3" PVC SLEEVE	5	5
9				
10				

T.Y. LIN INTERNATIONAL
 THE STAMPED DOCUMENTS ARE HEREBY:
 _____ APPROVED
 _____ APPROVED AS NOTED
 _____ REVISE AND RESUBMIT
 SEE TRANSMITTAL FOR ADDITIONAL INFORMATION AS APPLICABLE.
 THIS REVIEW IS FOR GENERAL CONFORMANCE WITH DESIGN CONCEPT ONLY. ANY DEVIATION FROM THE PLANS OR SPECIFICATIONS NOT CLEARLY NOTED BY THE CONTRACTOR HAS NOT BEEN REVIEWED. REVIEW BY THE ENGINEER SHALL NOT RELIEVE THE CONTRACTOR OF THE CONTRACTUAL RESPONSIBILITY FOR ANY ERRORS OR DEVIATION FROM THE CONTRACT REQUIREMENTS.
 JOSH OLUND, REVIEWER, January 25, 2017, DATE

1-3-17 REVISED AS NOTED

APPROVAL STAMP:

Vermont Agency of Transportation
RECEIVED
 CK'D BY T.Y. Lin International OK'D BY J. Olund
 January 24, 2017
 RESUBMIT No Approved
 BY D. Bonneau DATE 01/25/17

J.P. CARRARA & SONS INC. Precast & Prestress Manufacturer <small>244 GAGE ST., WOODBURY, VERMONT 05753 Phone: (802)388-6361 Fax: (802)388-9010</small>	J.P. SICARD, INC. CONTRACTOR BARTON, VERMONT
	STATE OF VERMONT AGENCY OF TRANSPORTATION COUNTY OF ORLEANS
VILLAGE OF BARTON TH 2 (GLOVER ROAD), RURAL MAJOR COLLECTOR BRIDGE NO.: 20 PROJECT NO.: BHF 0286(5)	DATE: NOV. 18, 2016 SCALE: NOTED CHKD: A.S. DFTM: B.L. JOB NO: 2349B-016
PRECAST APPROACH SLAB DETAILS	DWG. NO: ASI <small>GLOVER ROAD</small>