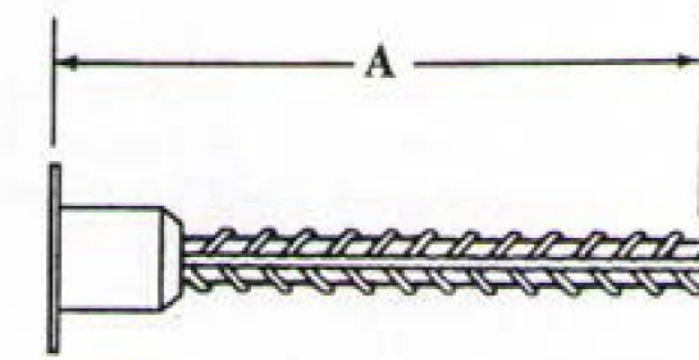
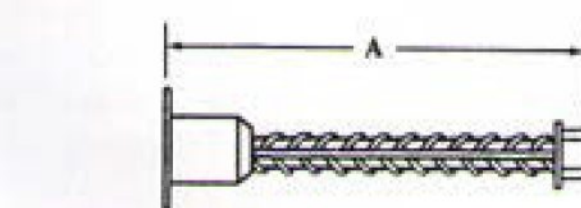


**DOWEL BAR SPLICER (DB-SAE)**  
 Give quantity, bar size required (refer to Table 1 for correct size), description and dimensions required.

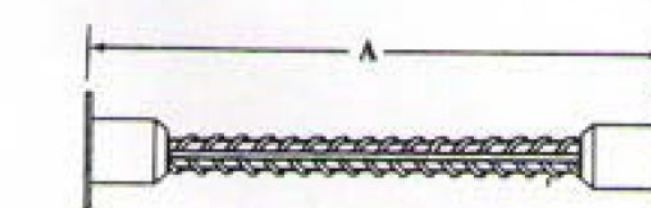


**D-101-A, Straight Dowel Bar Splicer**

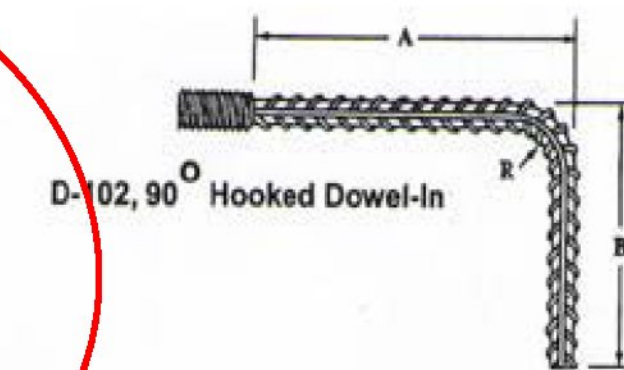
**SPECIAL SPLICERS (DB-SAE-3) AND (DB-SAE-4)**  
 Give Quantity, bar size of special splicer, overall length and description



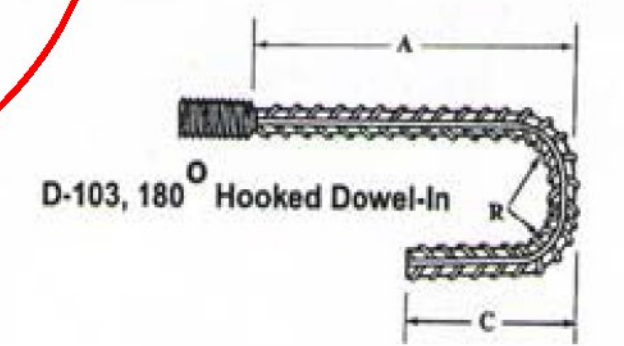
**D-108-A, Headed Dowel Bar Splicer**



**D-104-A, Double-Ended Dowel Bar Splicer**



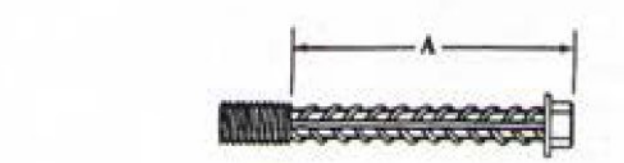
**D-102, 90° Hooked Dowel-In**



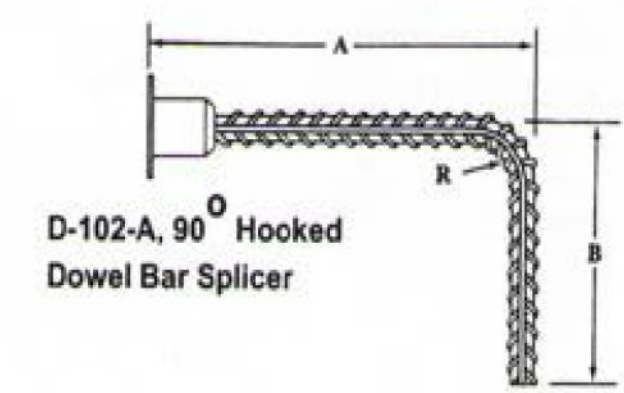
**D-103, 180° Hooked Dowel-In**



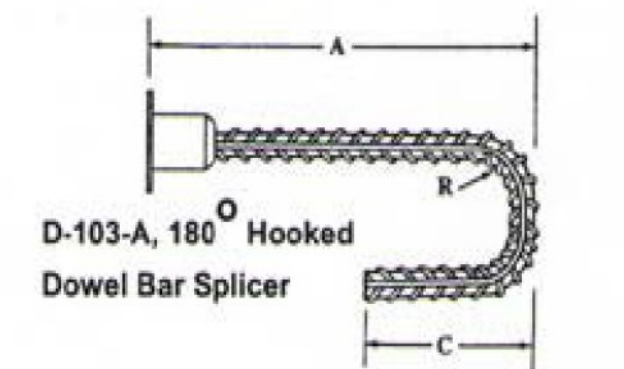
**D-104, Double-Ended Dowel-In**



**D-108, Headed Dowel-In**



**D-102-A, 90° Hooked Dowel Bar Splicer**



**D-103-A, 180° Hooked Dowel Bar Splicer**

Note: All tolerances are per Concrete Reinforcing Steel Institute (CRSI) design manual criteria. All bends are assumed 90° unless otherwise states.