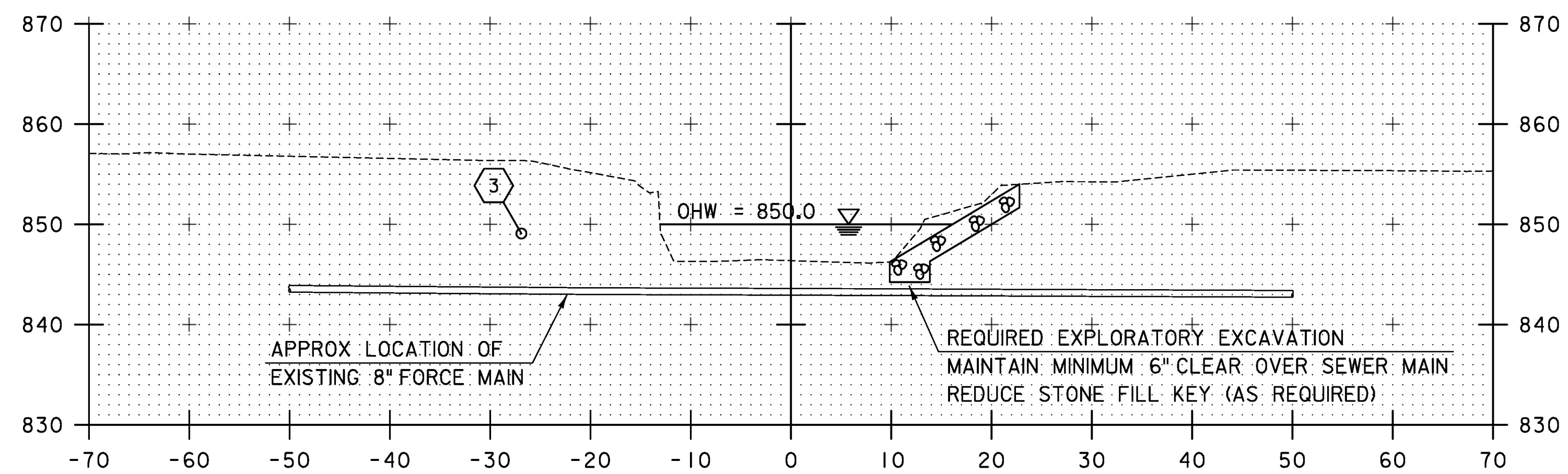
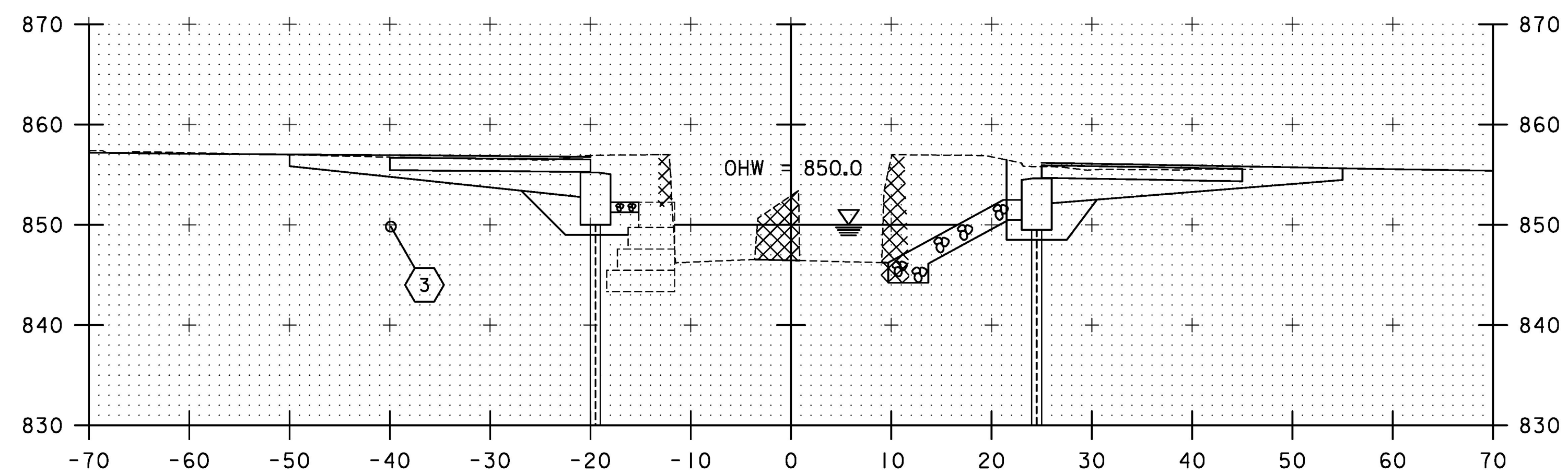


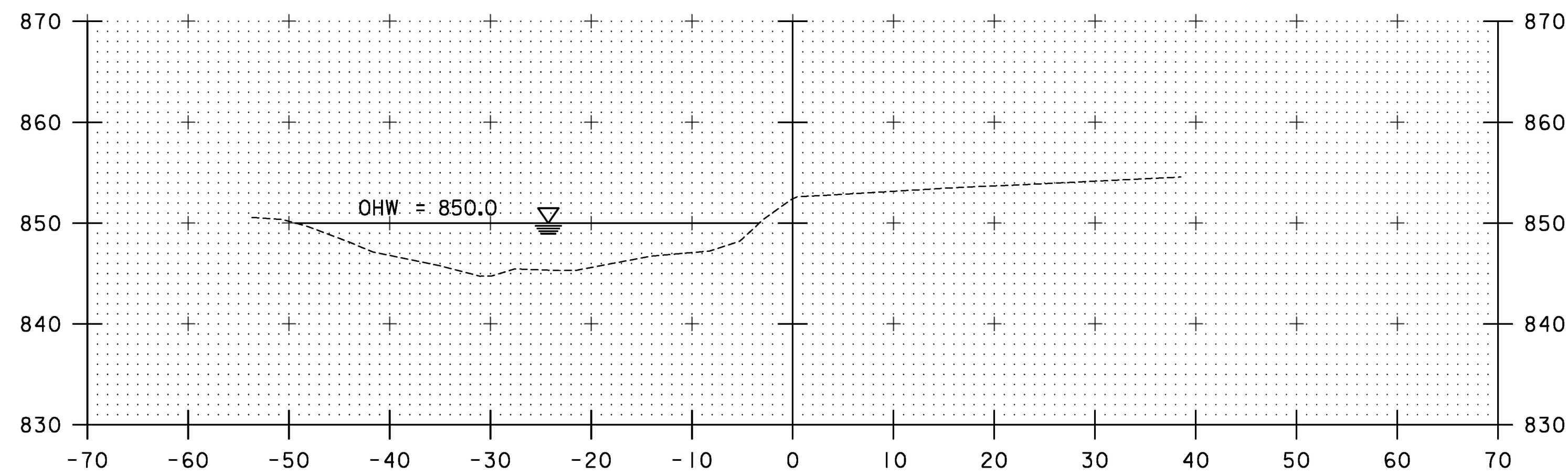
51+25



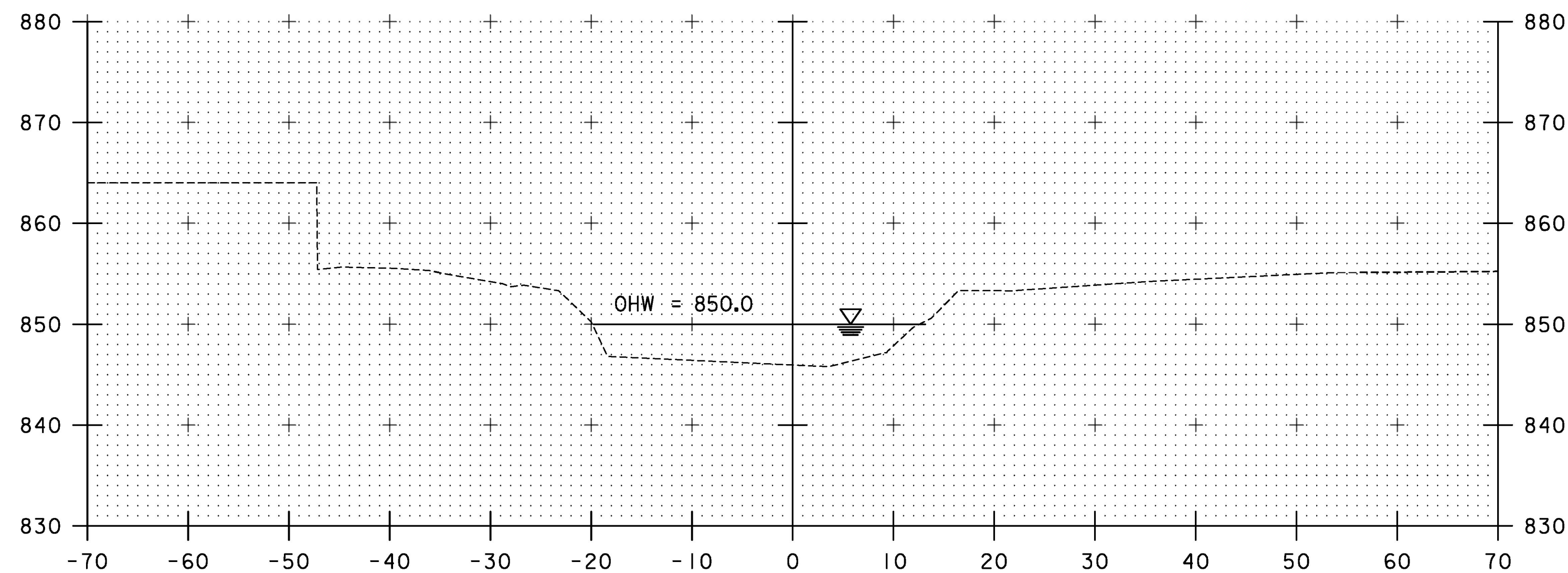
51+20



51+15



51+75



51+50

STATION 50+30.40 RT
 END UNCLASSIFIED CHANNEL EXCAVATION
 END GEOTEXTILE UNDER STONE FILL
 END STONE FILL, TYPE II

STA. 51+15 TO STA. 51+75

NOTE: GRANITE BLOCKS COMPRISING THE EXISTING SOUTHERN ABUTMENT SHOWN HEREIN ARE GRAPHICAL ONLY. NO ASSURANCE IS GIVEN TO THE DEPTH, WIDTH, OR HEIGHT OF GRANITE BLOCKS.

SCALE 1" = 10'-0"
 10 0 10



| | |
|------------------------------|-----------------------|
| PROJECT NAME: BARTON VILLAGE | PLOT DATE: 7/26/2016 |
| PROJECT NUMBER: BHF 0286(5) | DRAWN BY: S. MORGAN |
| FILE NAME: z12j172xschnl.dgn | CHECKED BY: T. POULIN |
| PROJECT LEADER: J. OLUND | SHEET 102 OF 110 |
| DESIGNED BY: J. OLUND | |
| CHANNEL CROSS SECTIONS 3 | |