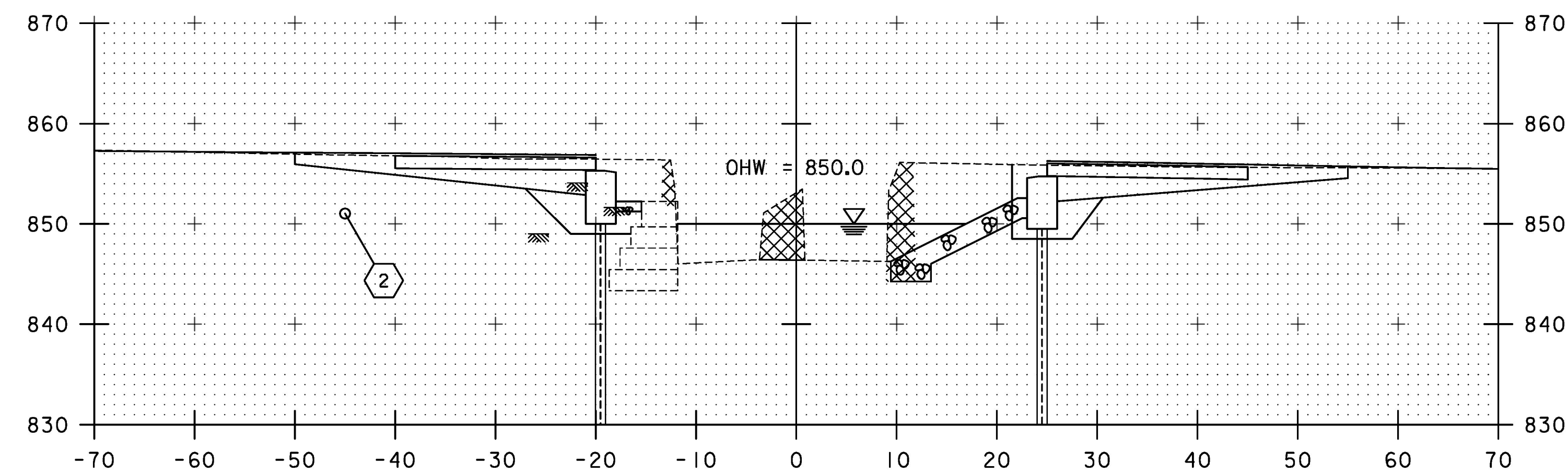
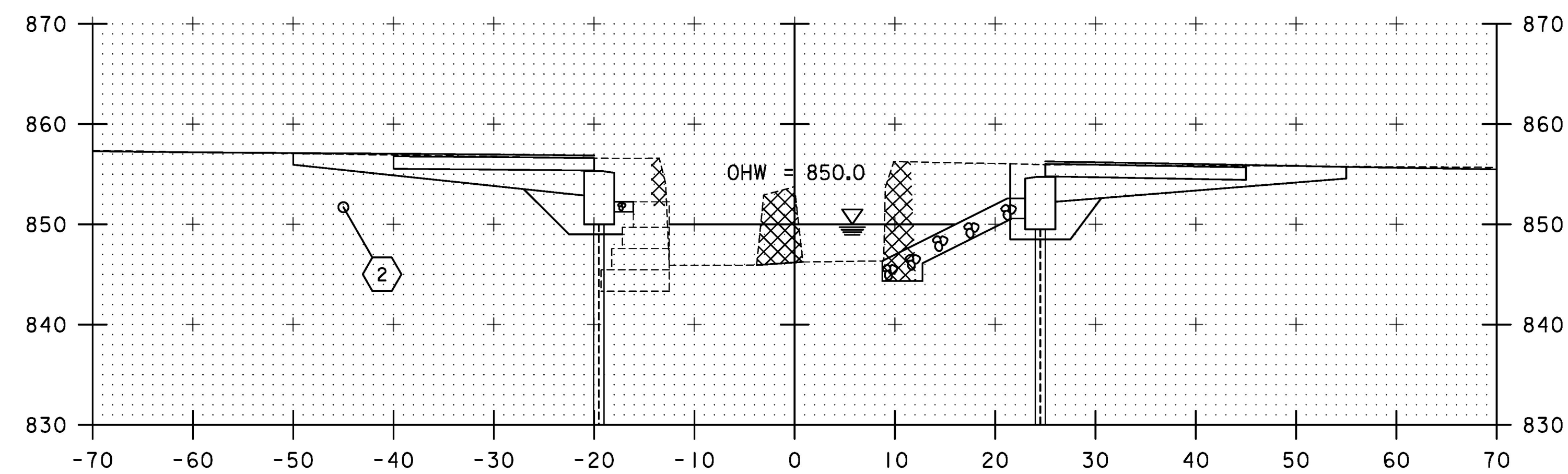


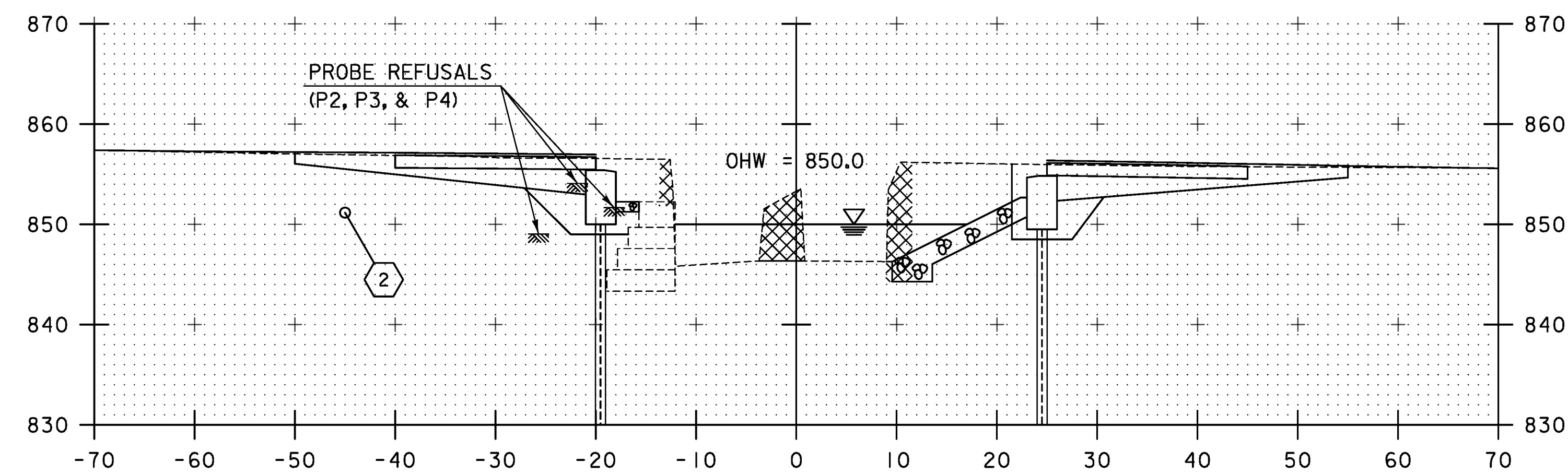
50+95



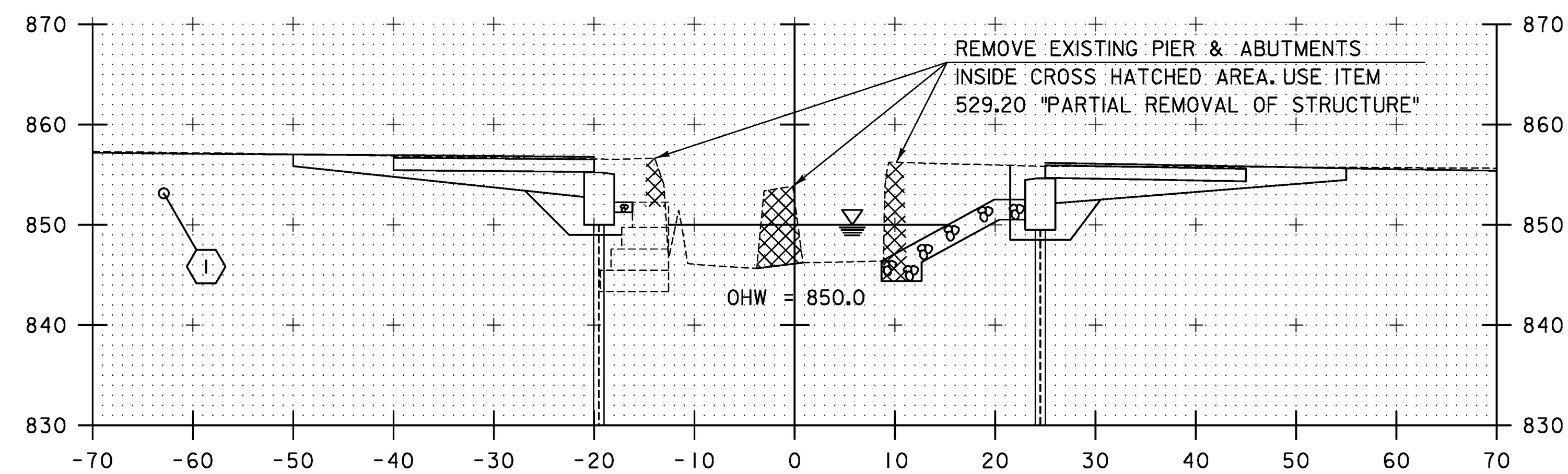
51+10



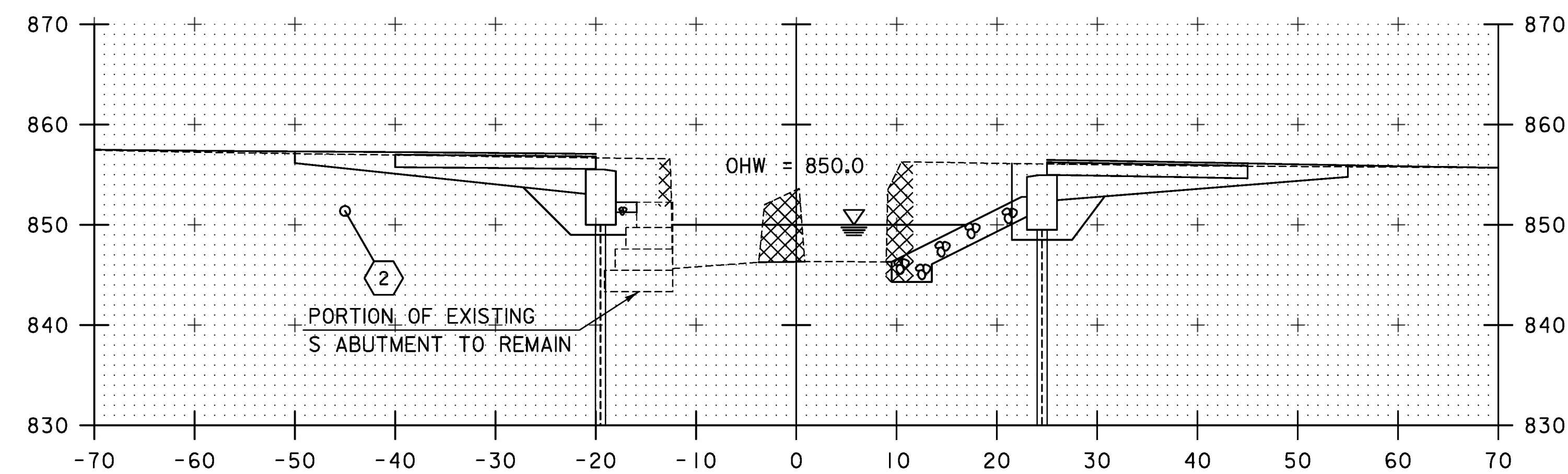
50+90



51+05



50+85



51+00

STA. 50+85 TO STA. 51+10

STATION 50+84.10 LT
BEGIN STONE FILL, TYPE I

NOTE: GRANITE BLOCKS COMPRISING THE EXISTING SOUTHERN ABUTMENT SHOWN HEREIN ARE GRAPHICAL ONLY. NO ASSURANCE IS GIVEN TO THE DEPTH, WIDTH, OR HEIGHT OF GRANITE BLOCKS.

SCALE 1" = 10'-0"
10 0 10

TYLIN INTERNATIONAL

PROJECT NAME: BARTON VILLAGE
PROJECT NUMBER: BHF 0286(5)

FILE NAME: z12j172xschnl.dgn
PROJECT LEADER: J. OLUND
DESIGNED BY: J. OLUND
CHANNEL CROSS SECTIONS 2

PLOT DATE: 7/26/2016
DRAWN BY: S. MORGAN
CHECKED BY: T. POULIN
SHEET 101 OF 110