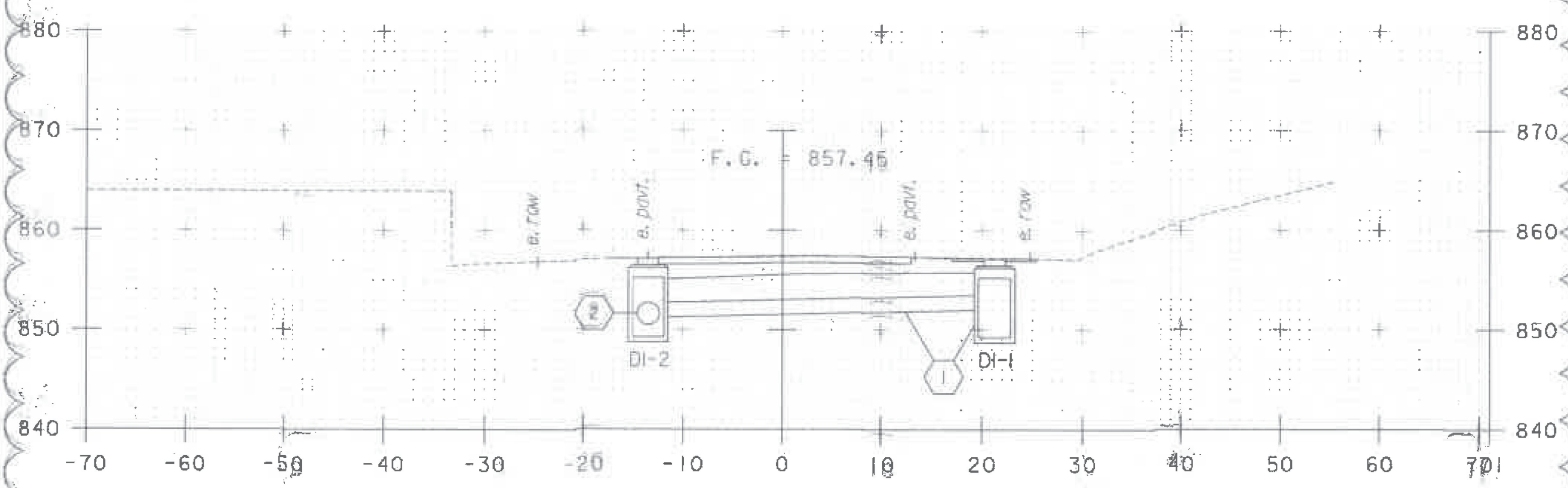
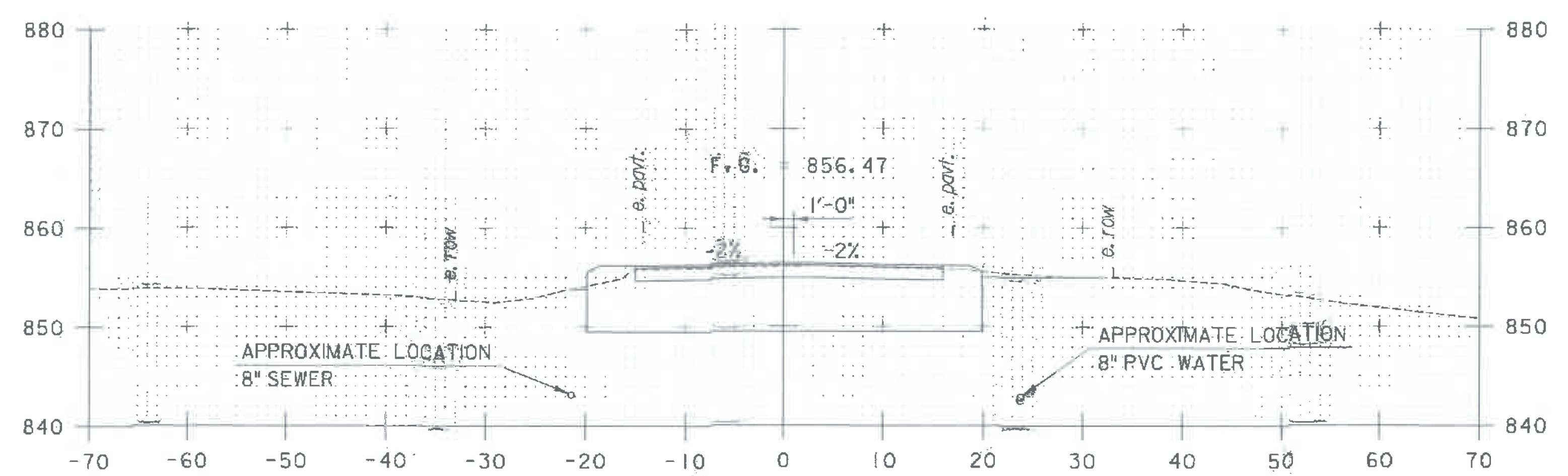


12+25

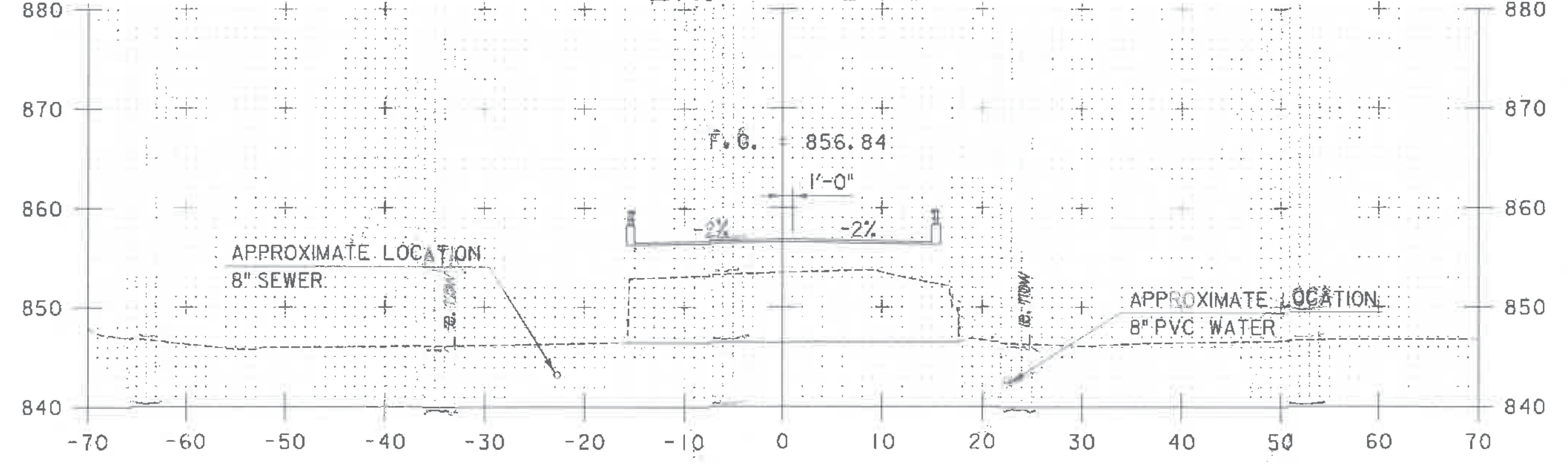


12+09  
SKEWED 15°00' 51.48" AHEAD LEFT

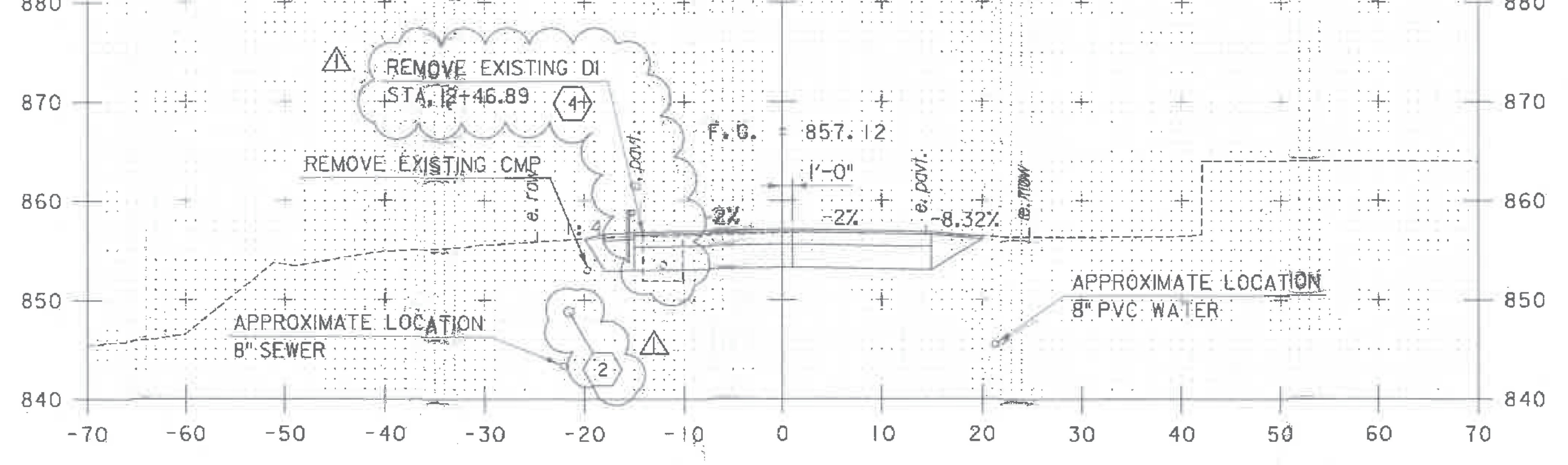
①	①	②	②
DI-1 GRATE = TYPE E RIM EL = 857.14 DEPTH = 6.64	SLOPE = 0.80% NEW PIPE TYPE: OPTION PIPE LENGTH = 30.7 FT DIAMETER = 18 IN INV. IN = 852.00 INV. OUT = 851.25	DI-2 GRATE = TYPE E RIM EL = 857.16 DEPTH = 8.16	SLOPE = 4.52% NEW PIPE TYPE: OPTION PIPE LENGTH = 47.8 FT DIAMETER = 18 IN INV. IN = 850.50 INV. OUT = 848.34



13+00  
END BRIDGE



12+75  
BEGIN BRIDGE STA. 12+55.00



12+50

STA. 12+25 TO STA. 13+00

PROJECT NAME: BARTON VILLAGE	FILE NAME: z121172.dgn	PLOT DATE: 6/29/2017
PROJECT NUMBER: BHF 0286(5)	PROJECT LEADER: J. OLUND	DRAWN BY: B. TOOTHAKER
	DESIGNED BY: B. TOOTHAKER	CHECKED BY: J. HOWE
	TH2 CROSS SECTIONS 2	SHEET 98A OF 110

06/29/2017 UPDATED PROJECT LIMITS AND DRAINAGE STRUCTURES

TYLIN INTERNATIONAL