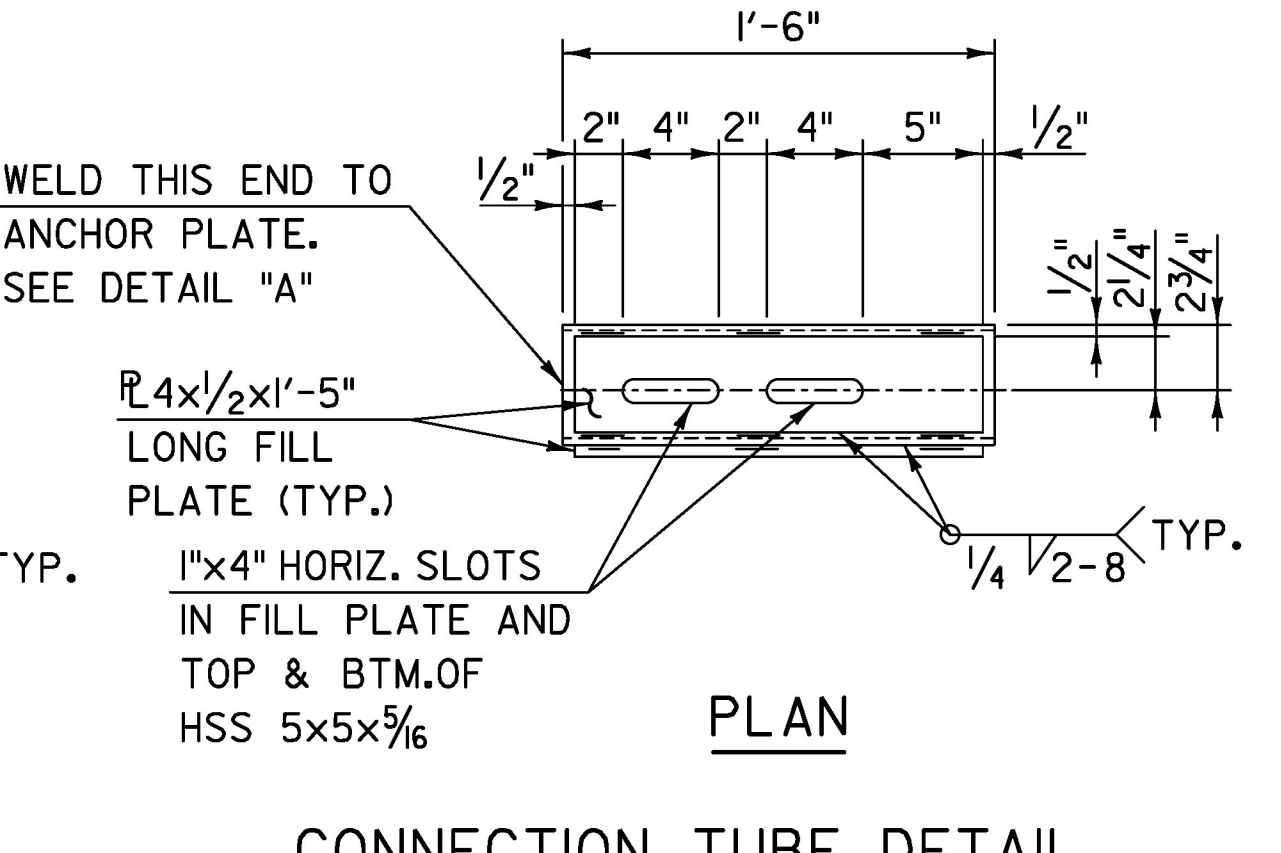
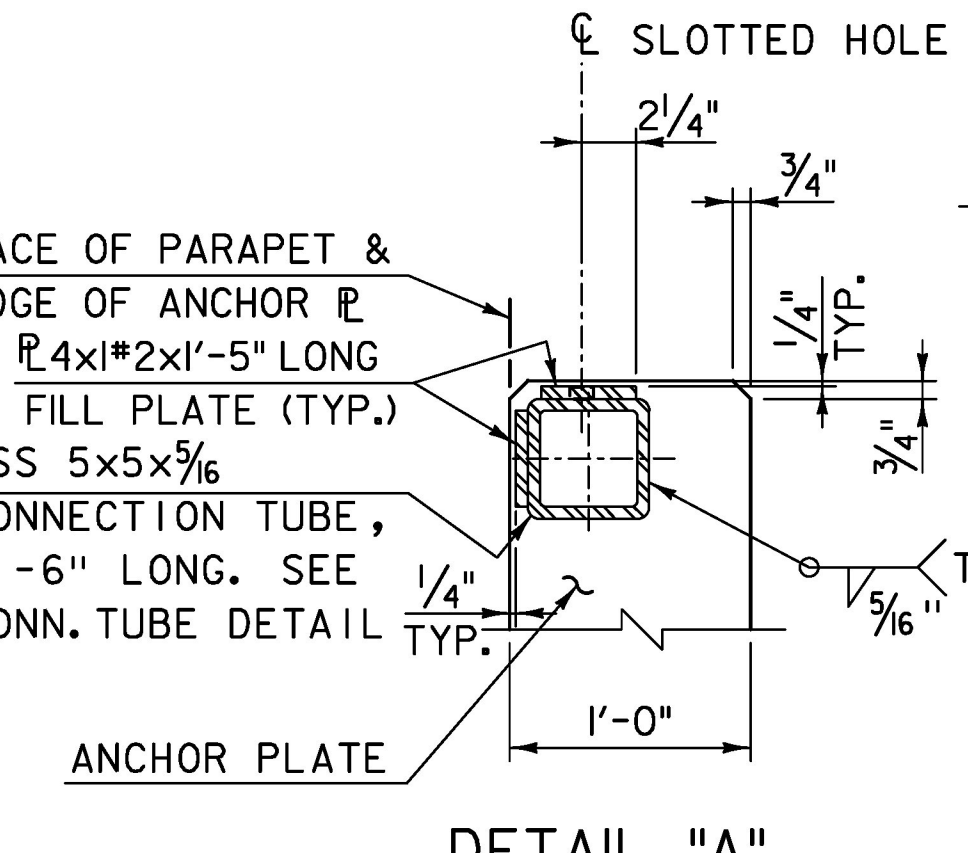
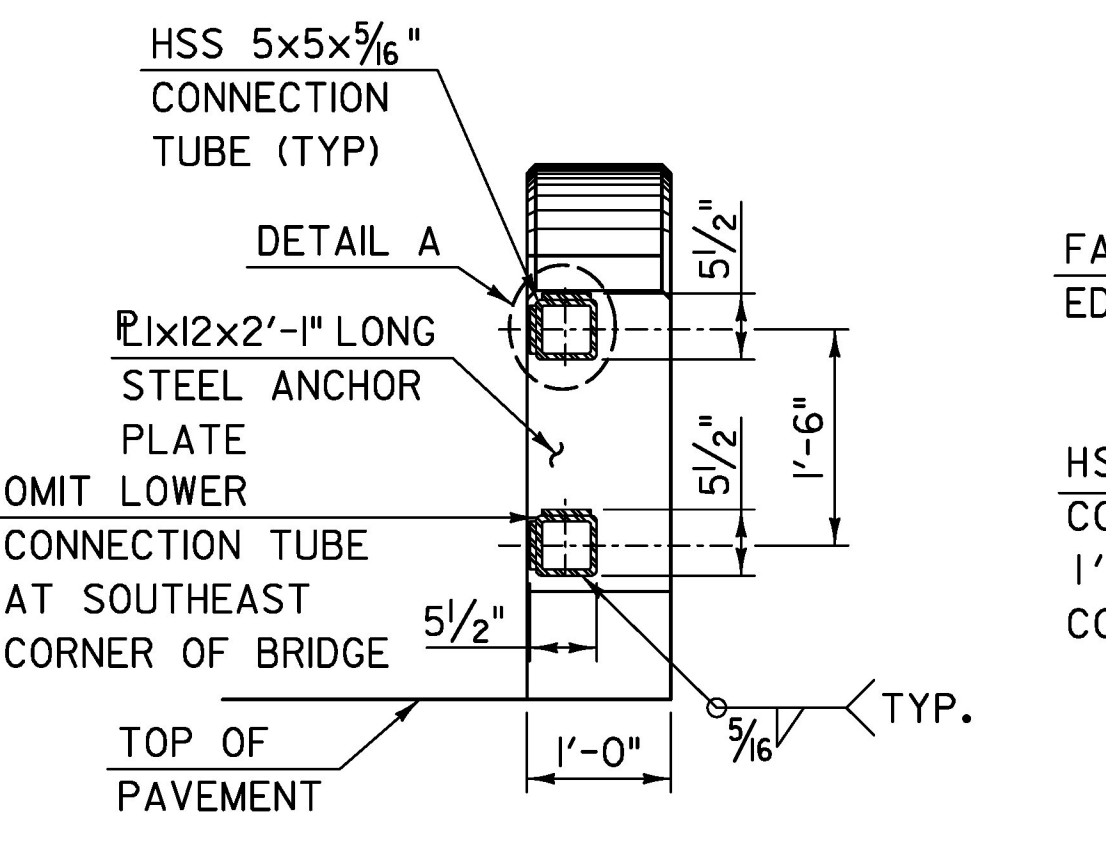
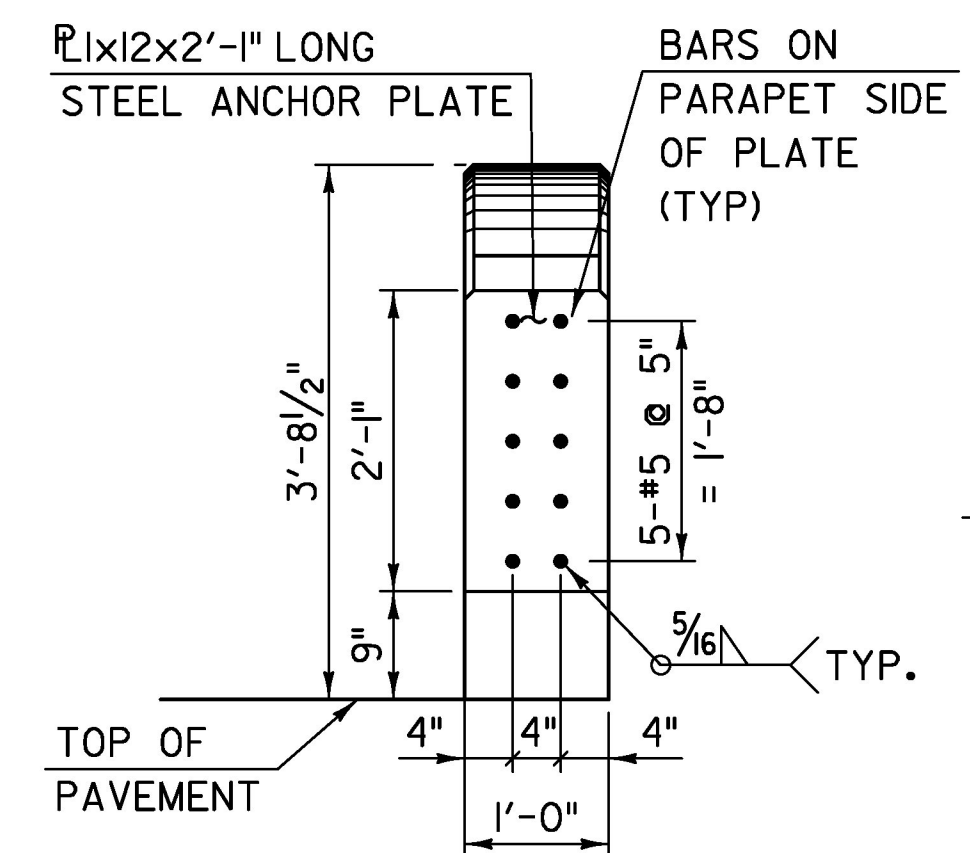
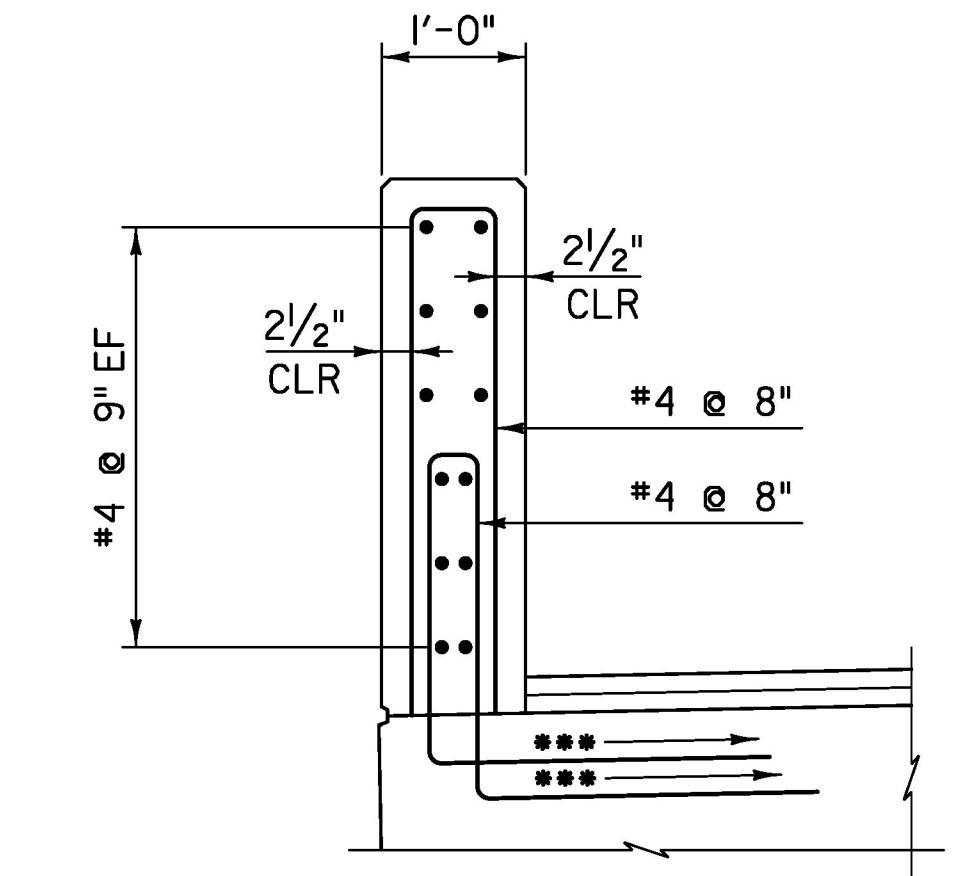
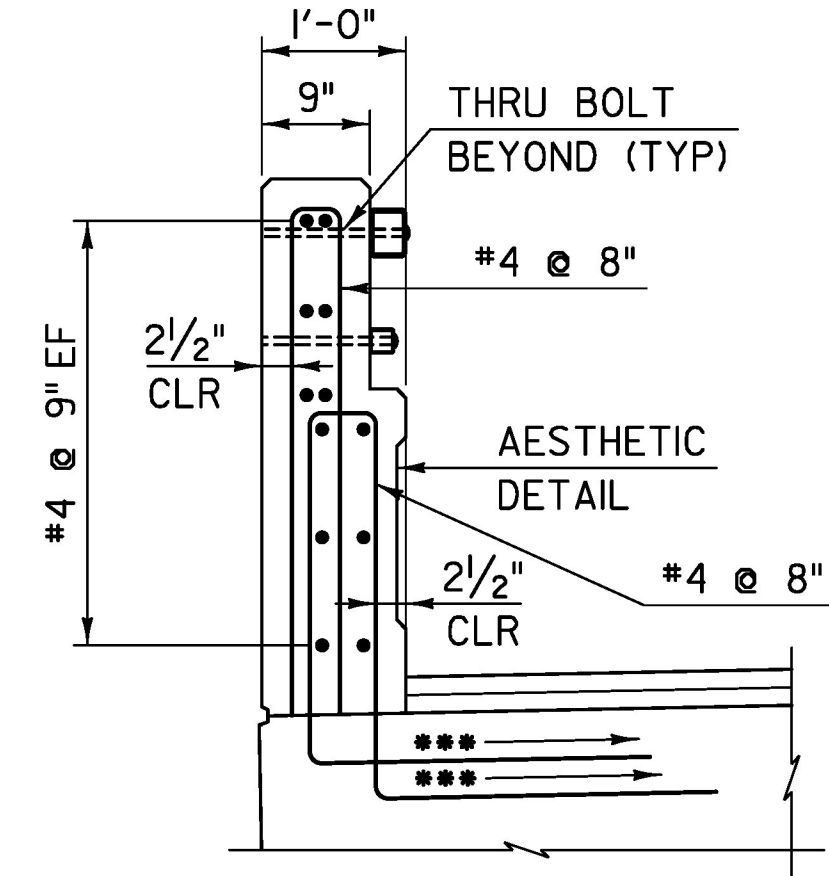
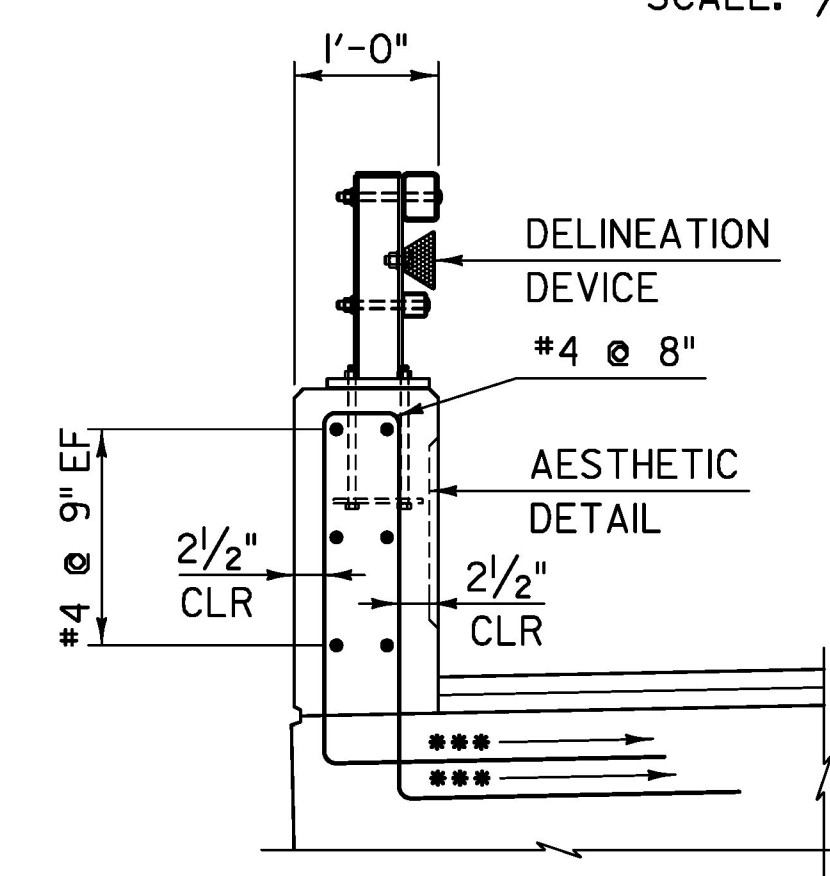
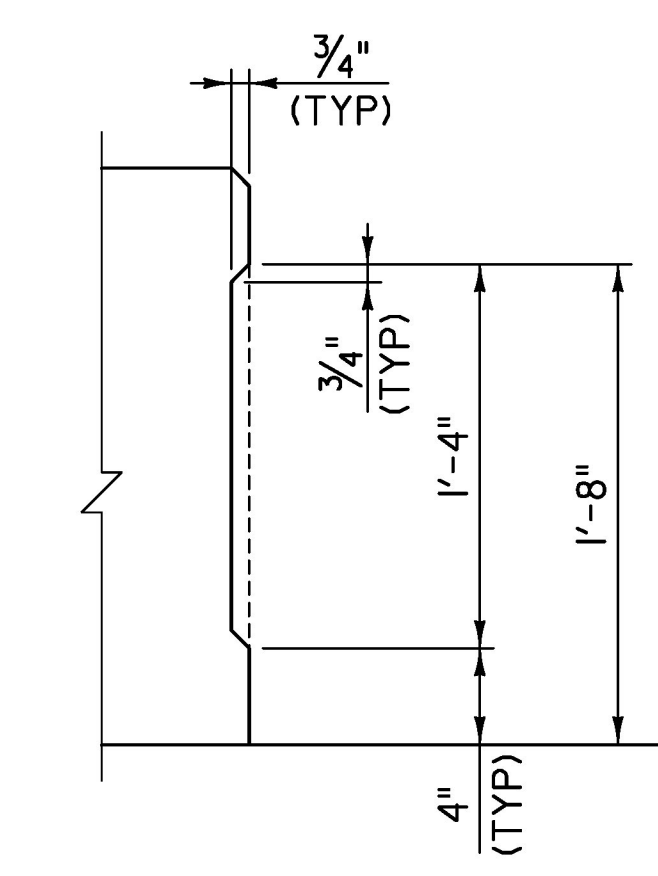


RAILING & END WALL APPROACH
SCALE: 3/4" = 1'-0"



NOTE:
EF = EACH FACE
3" CLEAR, UNLESS OTHERWISE SPECIFIED ON THE PLANS.
2' - 2" BAR LAP UNLESS OTHERWISE SPECIFIED ON THE PLANS.
*** MATCH SLOPE OF NEAREST TRANSVERSE STEEL

SEE STANDARDS S-352A, S-352B AND S-352C FOR NOTES AND ADDITIONAL DETAILS.

PROJECT NAME:	BARTON VILLAGE
PROJECT NUMBER:	BHF 0286(5)
FILE NAME:	z12j172sup5.dgn
PROJECT LEADER:	J. OLUND
DESIGNED BY:	B. TOOTHAKER
BRIDGE RAILING DETAILS	
PLOT DATE:	7/26/2016
DRAWN BY:	S. MORGAN
CHECKED BY:	J. OLUND
SHEET	94 OF 110

