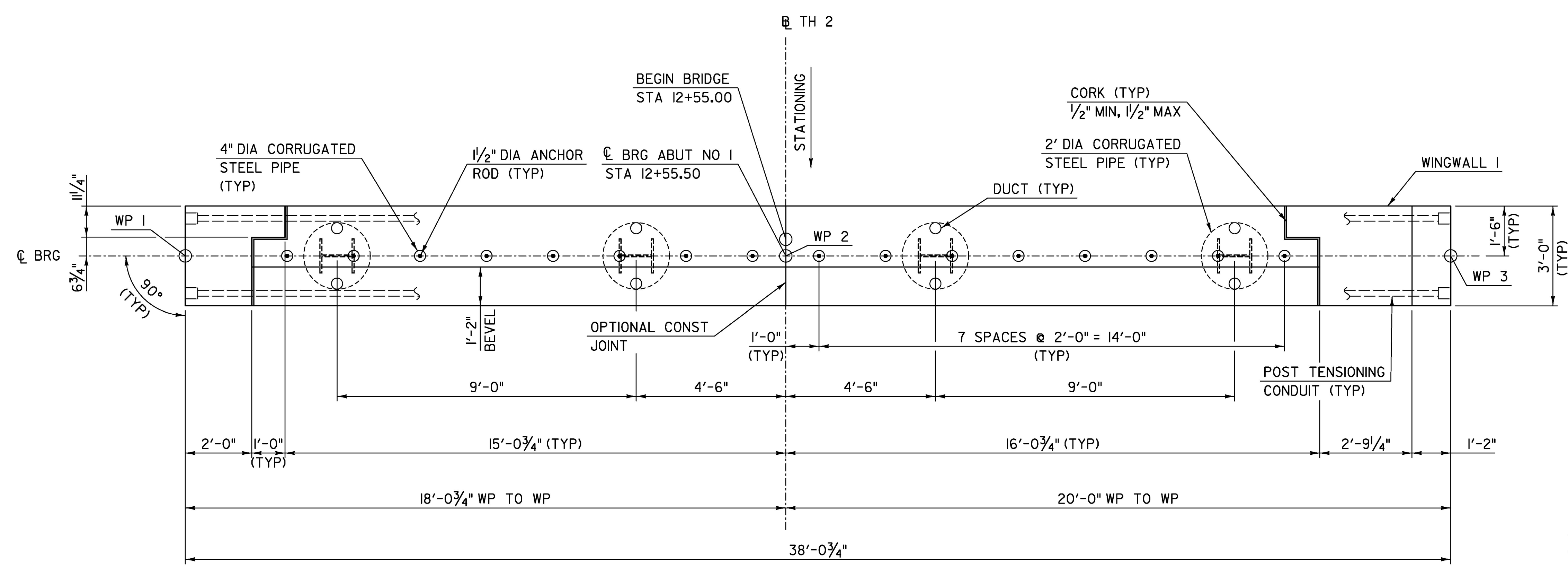


**NOTES:**

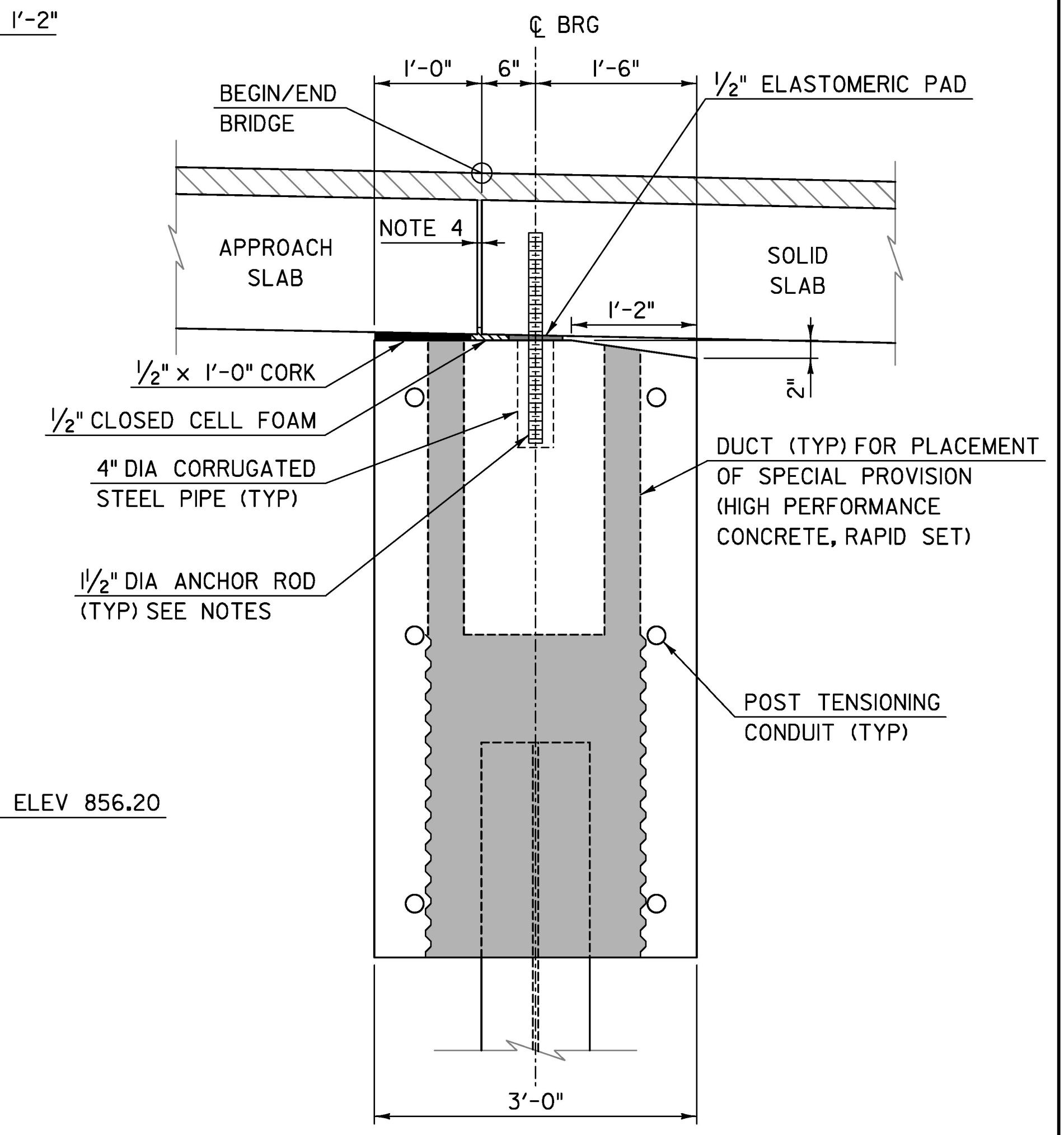
- ANCHOR RODS SHALL BE ASTM F1554 GRADE 105, GALVANIZED, AND SHALL MEET THE REQUIREMENTS OF SUBSECTION 714.08.
- ANCHOR RODS SHALL BE INCIDENTAL TO ITEM 900.640, "SPECIAL PROVISION (PRESTRESSED CONCRETE SOLID SLABS) (15" X 48)".
- DUCTS FOR FILLING PILE CAVITIES SHALL BE SPACED ON OPPOSITE SIDES OF PILE CAVITY AND A MINIMUM OF 2" CLEAR FROM STEEL PIPES FOR ANCHOR RODS.
- APPROACH SLABS SHALL BE INSTALLED FLUSH WITH END OF SOLIDS SLABS. ALL GAPS BETWEEN END OF APPROACH SLAB AND SOLIDS SLABS GREATER THAN 1/4" SHALL BE FILLED WITH MORTAR, TYPE IV. PAYMENT WILL BE CONSIDERED INCIDENTAL TO EACH APPROACH SLAB 540.10 OR 900.645, "SPECIAL PROVISION (CONTRACTOR - FABRICATED PRECAST CONCRETE STRUCTURES)" CONTRACT ITEM AS APPROPRIATE.



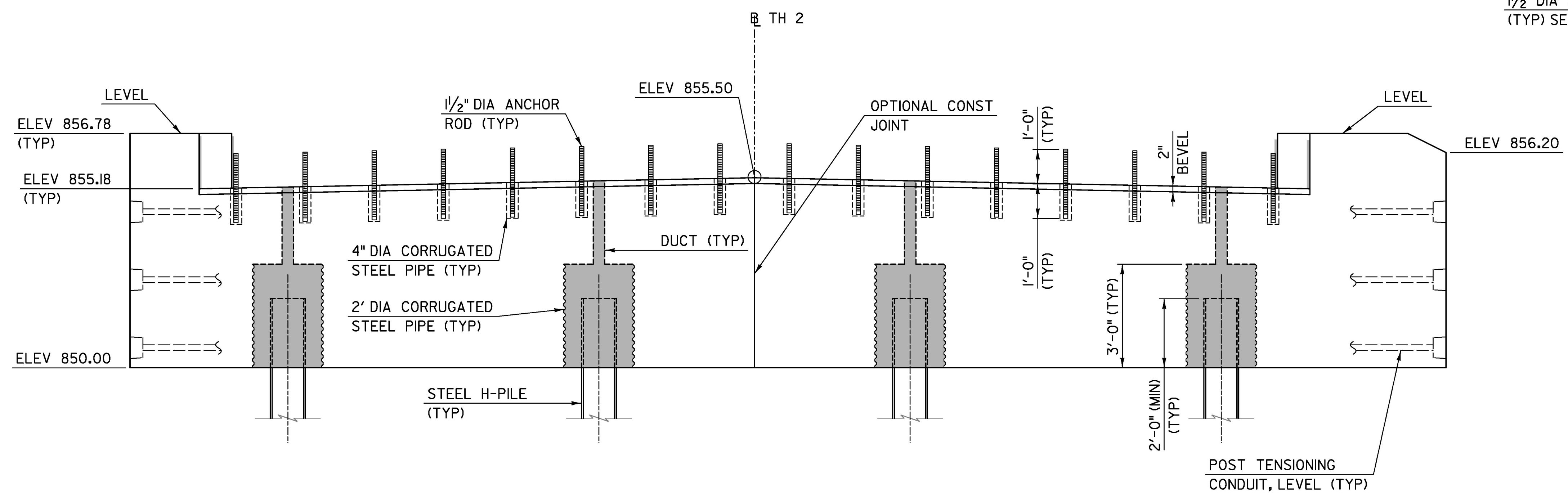
**ABUTMENT NO 1 - PLAN**  
SCALE: 1/2" = 1'-0"

**LEGEND:**

ITEM 900.608, "SPECIAL PROVISION (HIGH PERFORMANCE CONCRETE, RAPID SET) (FPQ)"



**ABUTMENT - TYPICAL SECTION**  
SCALE: 1" = 1'-0"



**ABUTMENT NO 1 - ELEVATION**  
SCALE: 1/2" = 1'-0"

<b>TYLIN INTERNATIONAL</b>	PROJECT NAME: BARTON VILLAGE	PLOT DATE: 8/15/2016
	PROJECT NUMBER: BHF 0286(5)	DRAWN BY: S. MORGAN
	FILE NAME: z12j172sub_1.dgn	CHECKED BY: C. TAYLOR
	DESIGNED BY: B. TOOTHAKER	SHEET 90 OF 110
	ABUTMENT 1 PLAN, ELEVATION, & SECTION	