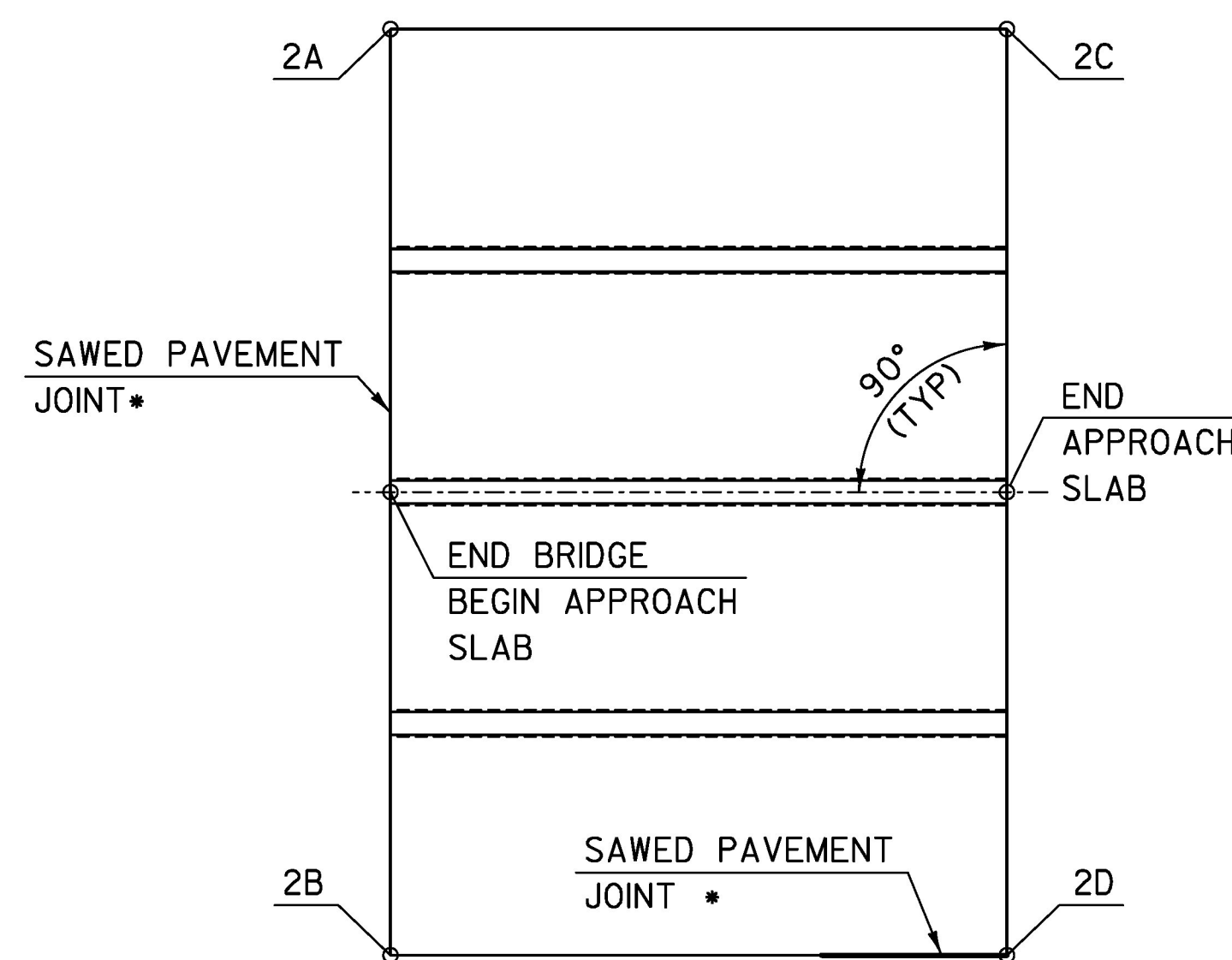


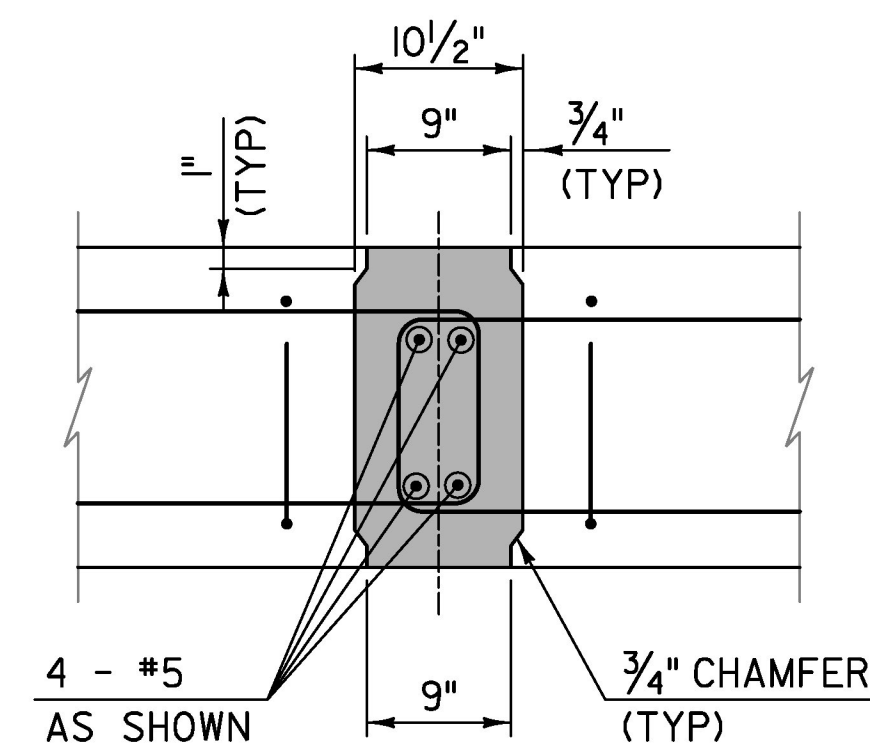
APPROACH SLAB NO 1 PLAN VIEW

SCALE: $\frac{3}{8}'' = 1'-0''$
 (APPROACH SLAB NO 1 SHOWN. APPROACH SLAB NO 2 SIMILAR)



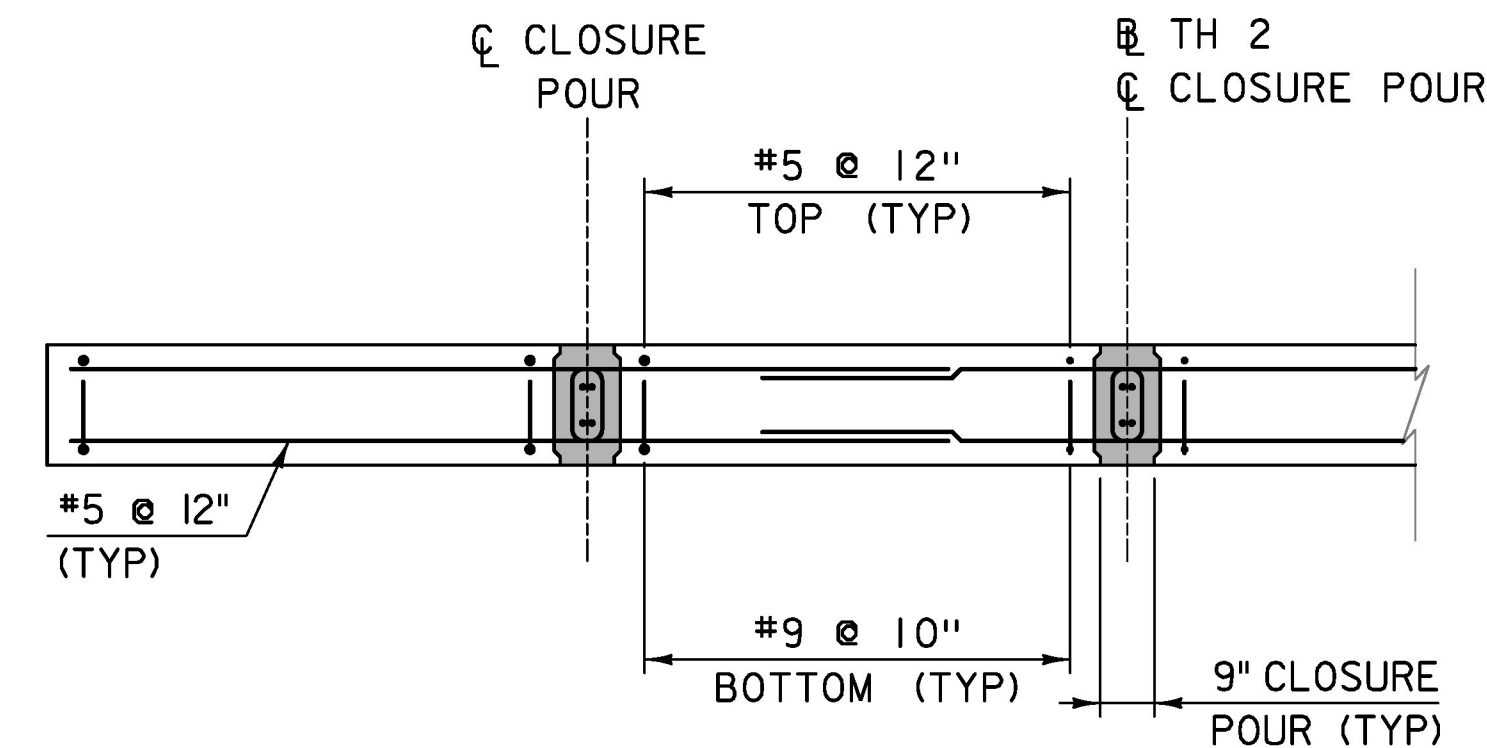
APPROACH SLAB NO 2 PLAN VIEW

NOT TO SCALE



CLOSURE POUR DETAIL SECTION B-B

SCALE: $1'' = 1'-0''$



SECTION A-A

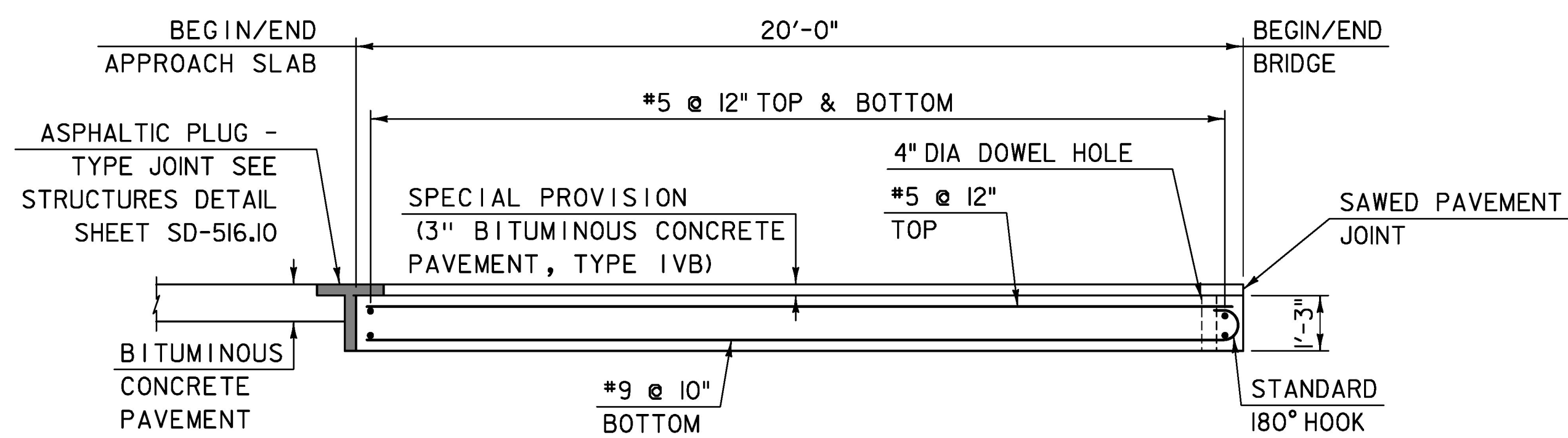
SCALE: $\frac{3}{8}'' = 1'-0''$

APPROACH SLAB NO 1			
	STATION	OFFSET	ELEVATION
IA	12+35.00	15.00 LT	855.44
BEGIN AS #1	12+35.00	0.00	855.74
IB	12+35.00	15.00 RT	855.44
IC	12+55.00	15.00 LT	855.24
END AS #1	12+55.00	0.00	855.54
ID	12+55.00	15.00 RT	855.24

APPROACH SLAB NO 2			
	STATION	OFFSET	ELEVATION
2A	13+00.00	15.00 LT	854.65
BEGIN AS #2	13+00.00	0.00	854.95
2B	13+00.00	15.00 RT	854.65
2C	13+20.00	15.00 LT	854.32
END AS #2	13+20.00	0.00	854.62
2D	13+20.00	15.00 RT	854.32

APPROACH SLAB ELEVATIONS

ALL ELEVATIONS ARE BOTTOM OF SLAB



APPROACH SLAB ELEVATION VIEW

SCALE: $\frac{3}{8}'' = 1'-0''$
 (APPROACH SLAB 1 SHOWN. APPROACH SLAB 2 SIMILAR)

NOTES:

- CONTRACTOR SHALL BE RESPONSIBLE FOR ESTABLISHING UNIFORM CONTACT BETWEEN THE APPROACH SLAB AND THE SUBBASE MATERIAL TO THE SATISFACTION OF THE ENGINEER. THE FABRICATION DRAWINGS SHALL INDICATE THE MEANS AND METHODS NECESSARY TO INSTALL THE APPROACH SLABS TO THE ELEVATIONS SPECIFIED.
- APPROACH SLAB REINFORCING STEEL SHOWN IS TYPICAL FOR EACH PANEL.
- COORDINATE APPROACH SLAB DOWEL HOLE LOCATIONS WITH #8 BARS EXTENDING FROM ABUTMENTS.

LEGEND:

ITEM 900.608, "SPECIAL PROVISION (HIGH PERFORMANCE CONCRETE, RAPID SET) (FPO)"

TYLIN INTERNATIONAL

PROJECT NAME: BARTON VILLAGE
 PROJECT NUMBER: BHF 0286(5)

FILE NAME: z12j172sup4.dgn
 PROJECT LEADER: J. OLUND
 DESIGNED BY: B. TOOTHAKER
 APPROACH SLAB DETAILS

PLOT DATE: 7/26/2016
 DRAWN BY: S. MORGAN
 CHECKED BY: J. OLUND
 SHEET 89 OF 110