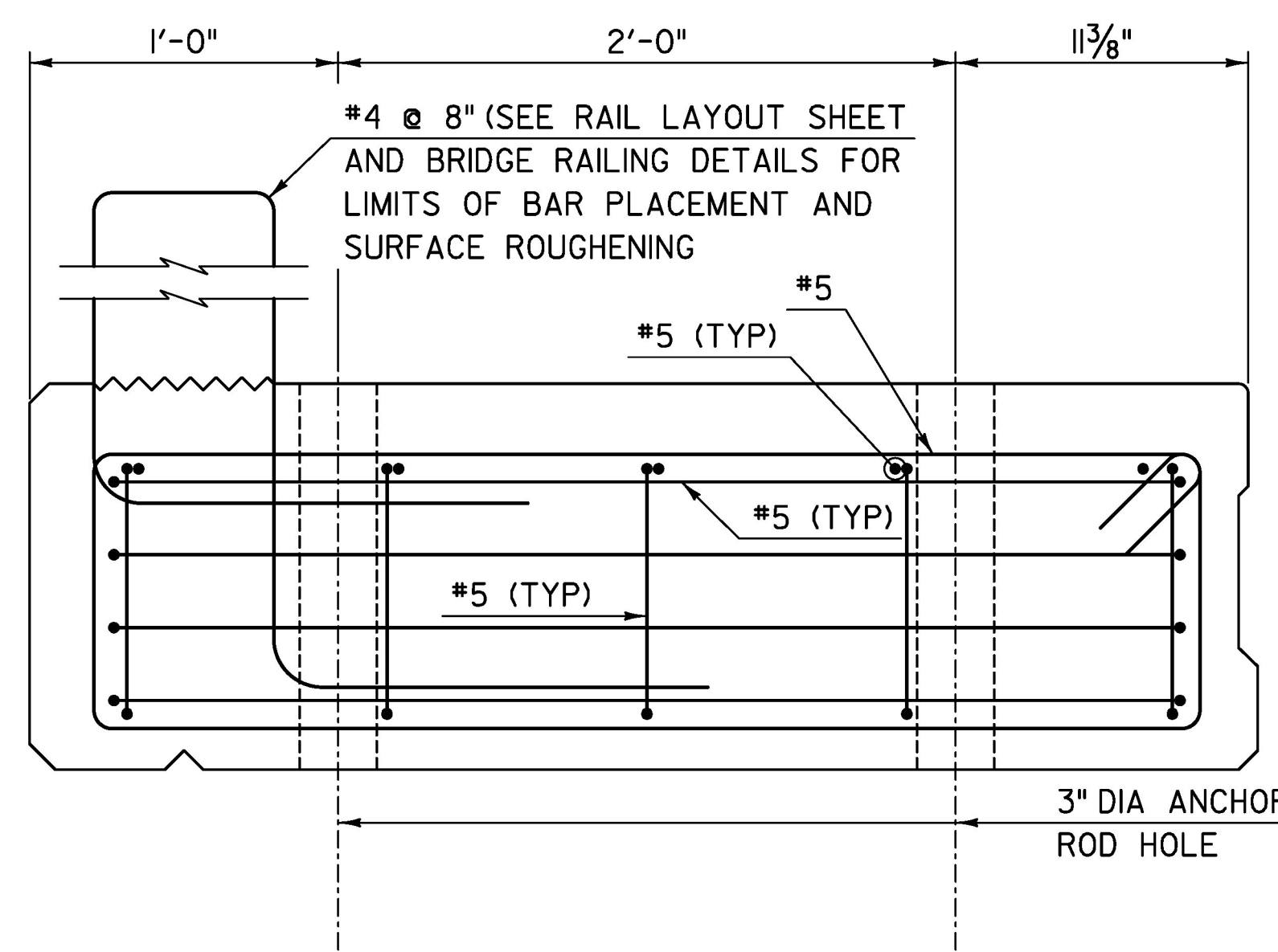


TYPICAL EXTERIOR SECTION

SCALE: 2" = 1'-0"

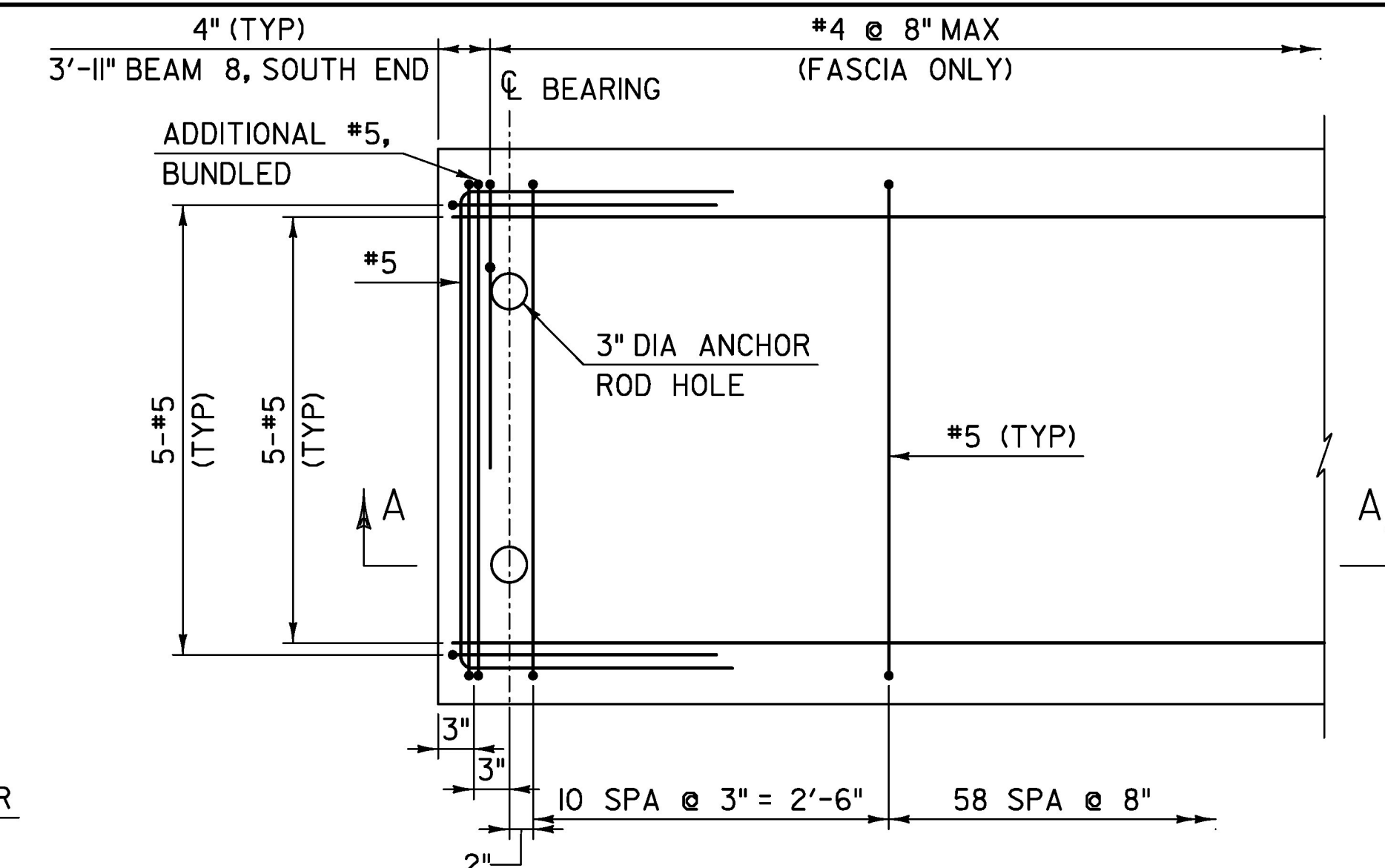
LEGEND

- △ DEBONDED 8'-0" EACH END
- DEBONDED 12'-0" EACH END
- 0.6" PRESTRESSING STRAND
- REINFORCING STEEL (TYP)



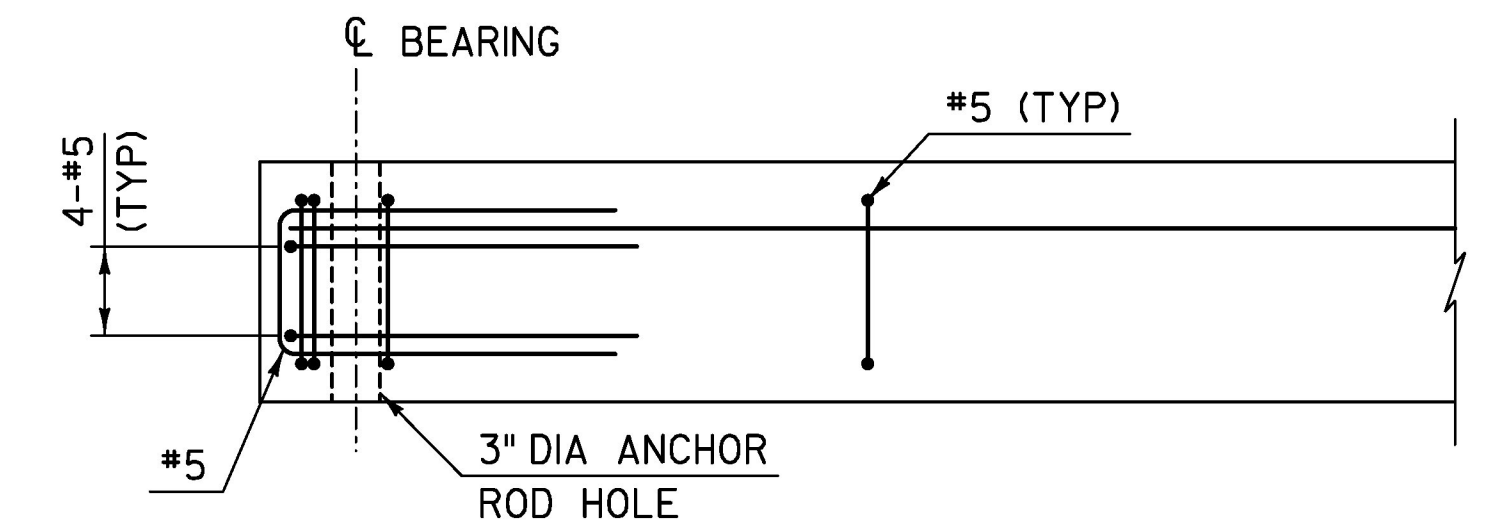
END ELEVATION EXTERIOR BEAM

SCALE: 2" = 1'-0"
(PRESTRESSING STRAND NOT SHOWN FOR CLARITY)



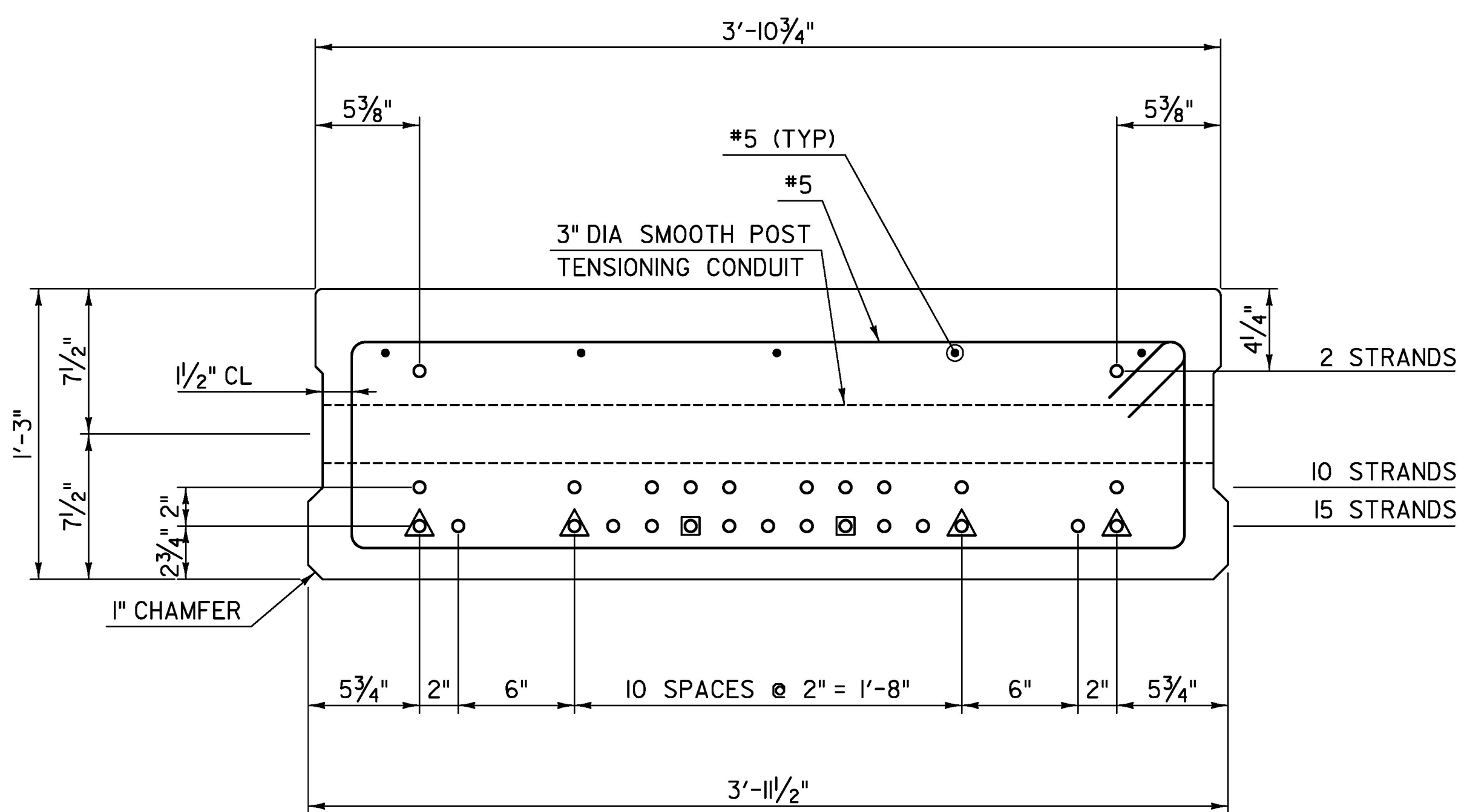
TYPICAL END REINFORCEMENT PLAN

SCALE: 1" = 1'-0"
(PRESTRESSING STRAND NOT SHOWN FOR CLARITY)



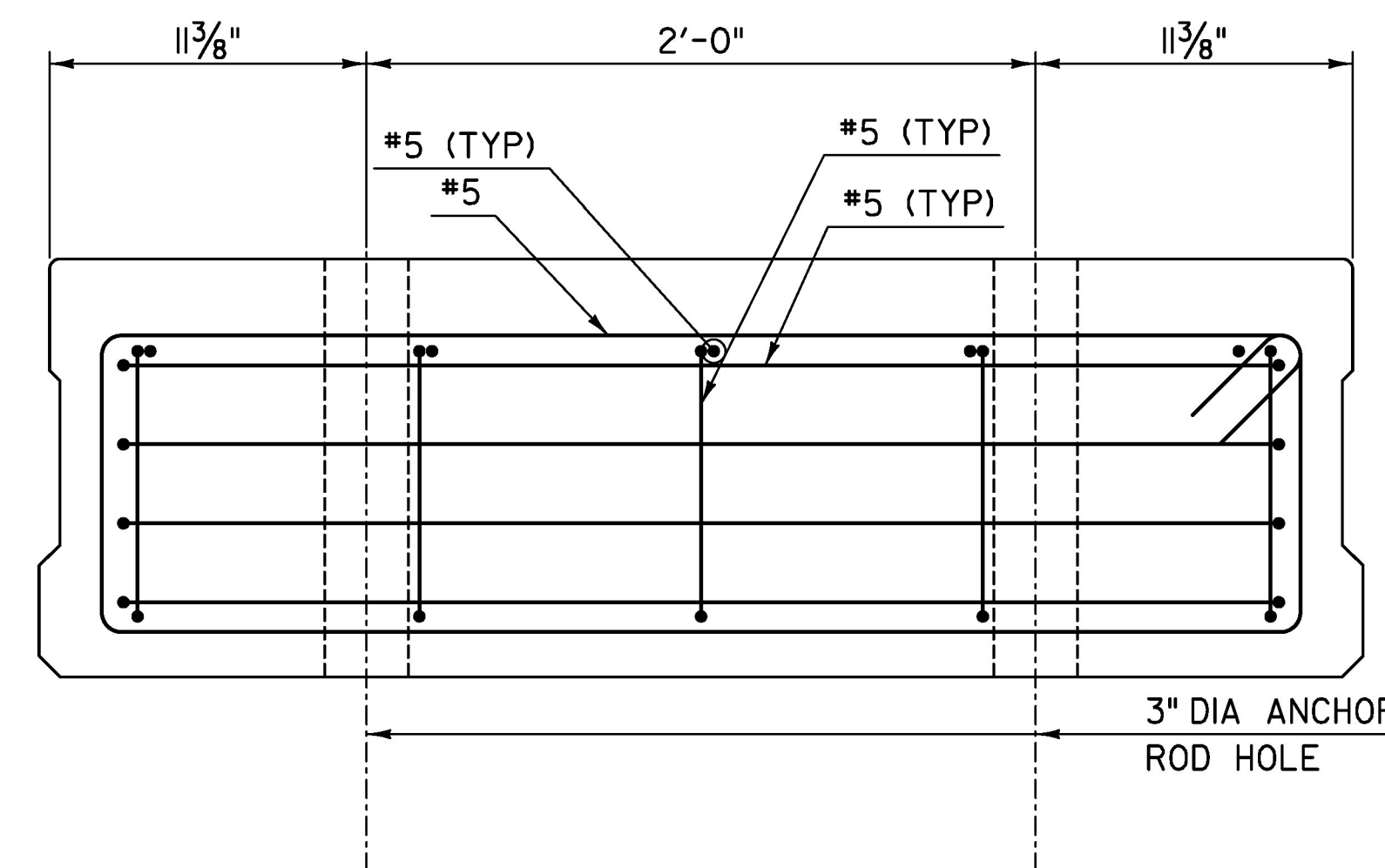
SECTION A-A

SCALE: 1" = 1'-0"
(PRESTRESSING STRAND NOT SHOWN FOR CLARITY)



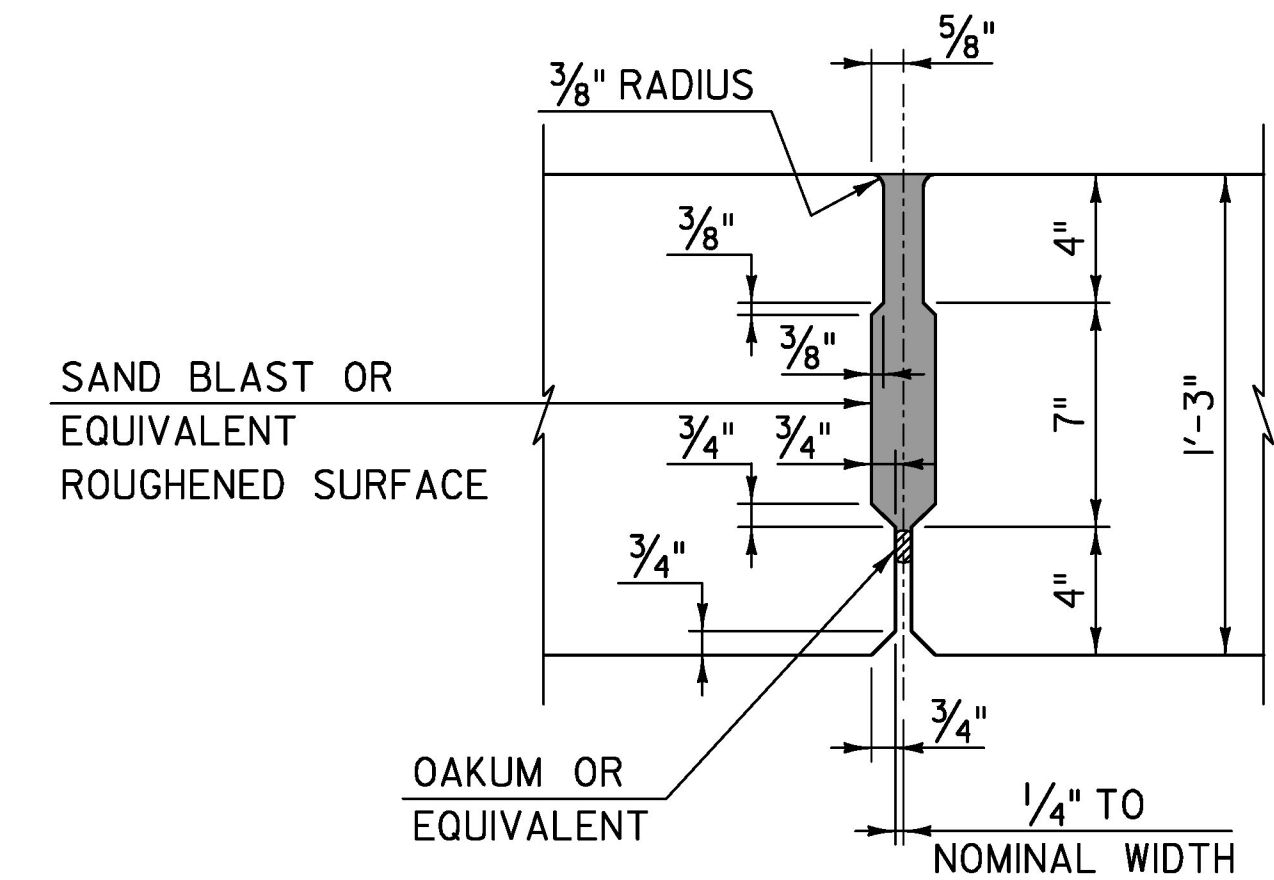
TYPICAL INTERIOR SECTION

SCALE: 2" = 1'-0"



END ELEVATION INTERIOR BEAM

SCALE: 2" = 1'-0"
(PRESTRESSING STRAND NOT SHOWN FOR CLARITY)



SHEAR KEY DETAIL

SCALE: 2" = 1'-0"

LEGEND:

- ITEM 510.24, "GROUTING SHEAR KEYS"

TYLIN INTERNATIONAL

PROJECT NAME: BARTON VILLAGE
PROJECT NUMBER: BHF 0286(5)

FILE NAME: z12j172sup2.dgn
PROJECT LEADER: J. OLUND
DESIGNED BY: B. TOOTHAKER
SUPERSTRUCTURE DETAILS

PLOT DATE: 7/26/2016
DRAWN BY: S. MORGAN
CHECKED BY: T. POULIN
SHEET 87 OF 110