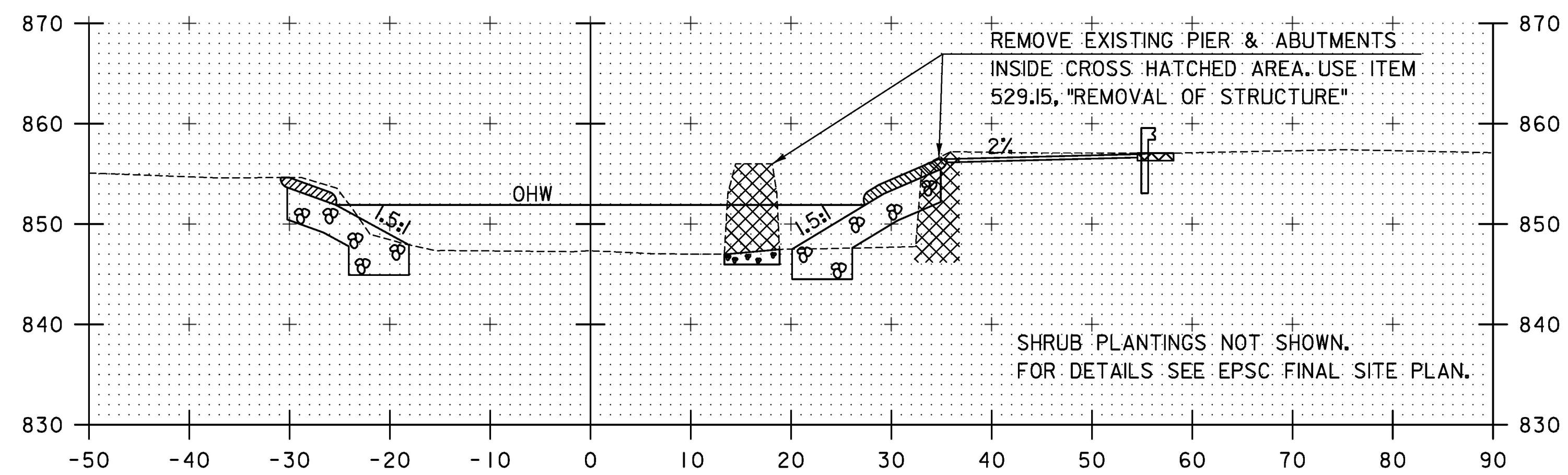
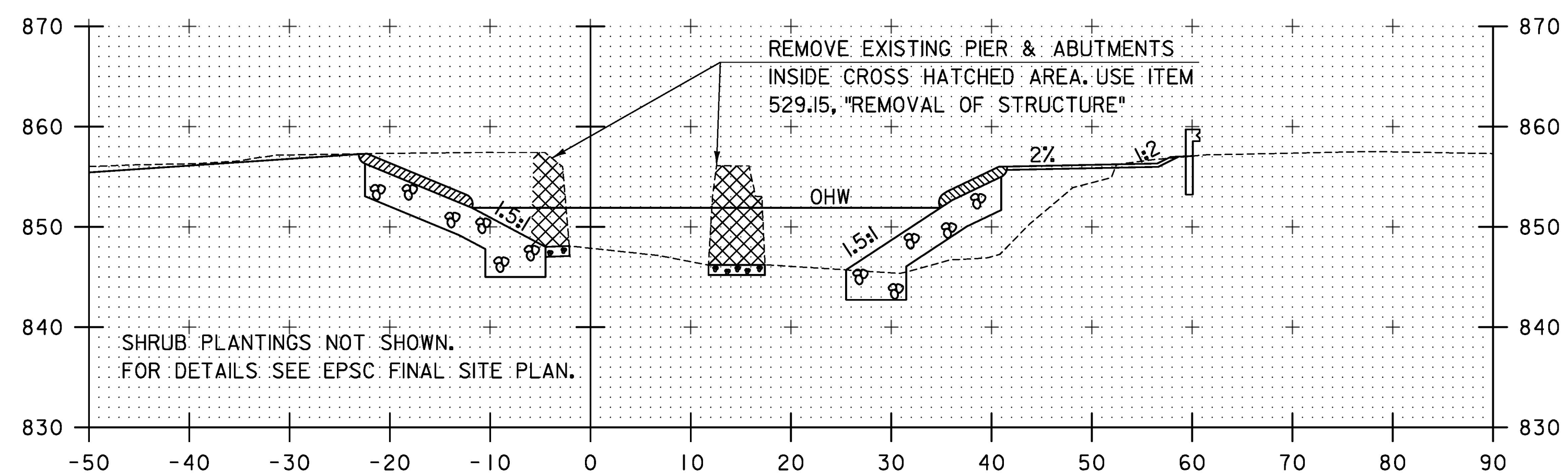


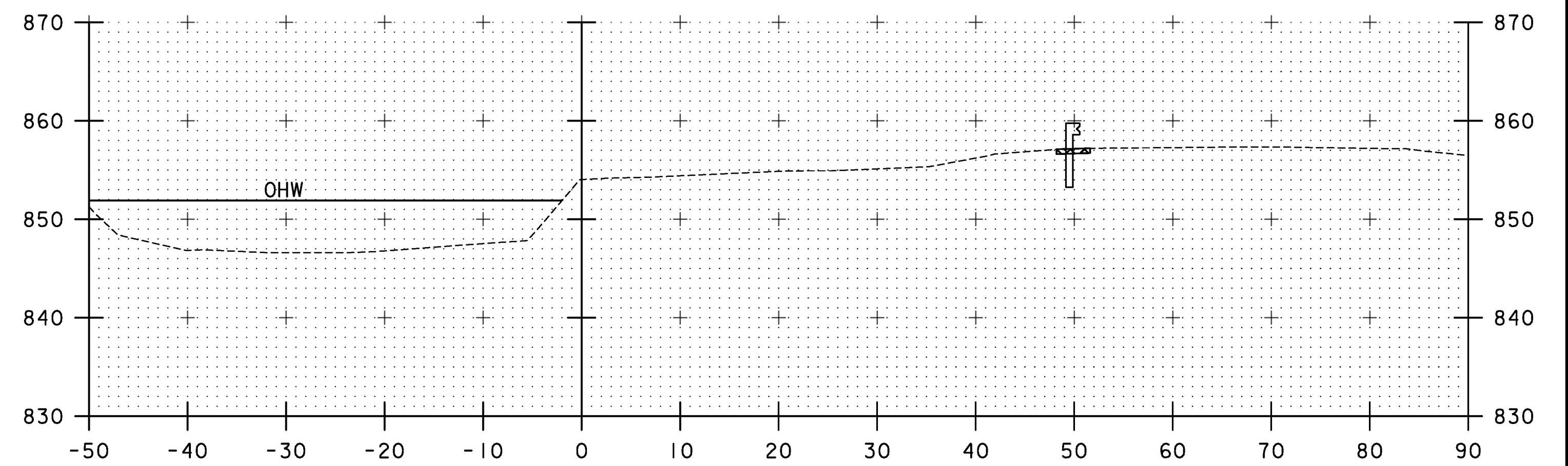
51+78.16
SKEWED SECTION



51+75

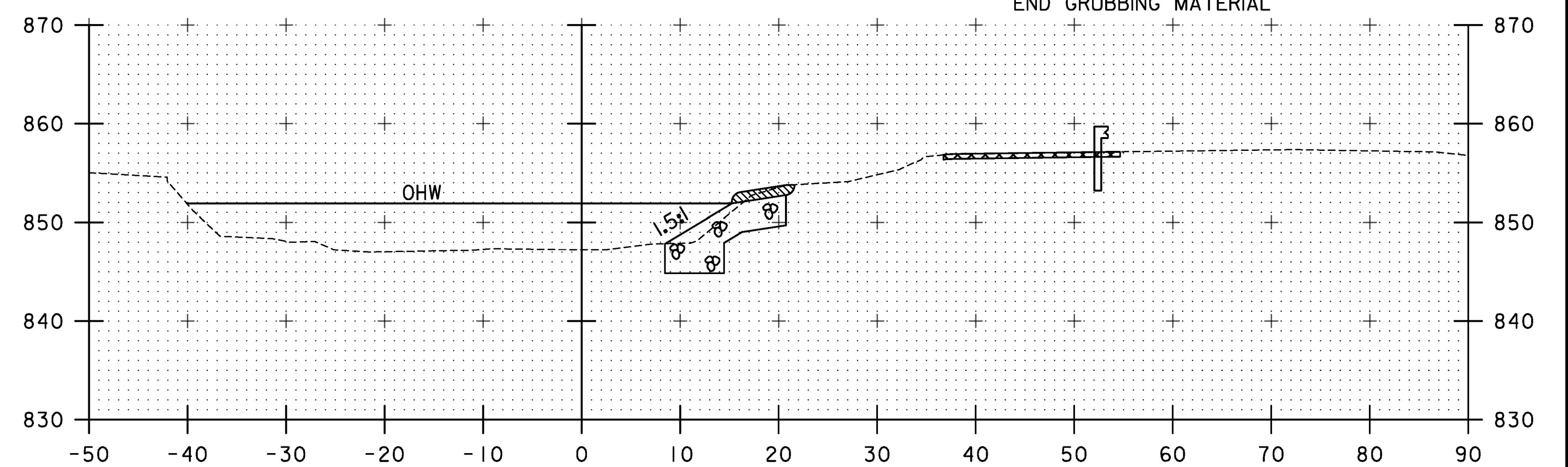


51+50



52+25

STA 52+04.73, RT
END UNCLASSIFIED CHANNEL EXCAVATION
END GEOTEXTILE UNDER STONE FILL
END STONE FILL, TYPE III
END GRUBBING MATERIAL



52+00

STA 51+83.12, LT
END UNCLASSIFIED CHANNEL EXCAVATION
END GEOTEXTILE UNDER STONE FILL
END STONE FILL, TYPE III
END GRUBBING MATERIAL

STA. 51+50 TO STA. 52+25

PROJECT NAME: BARTON VILLAGE
PROJECT NUMBER: BO 1449(33)

TYLIN INTERNATIONAL

FILE NAME: z13j078xschnl.dgn
PROJECT LEADER: J. OLUND
DESIGNED BY: B. TOOTHAKER
CHANNEL CROSS SECTIONS 3

PLOT DATE: 7/26/2016
DRAWN BY: J. OLUND
CHECKED BY: T. POULIN
SHEET 46 OF 110