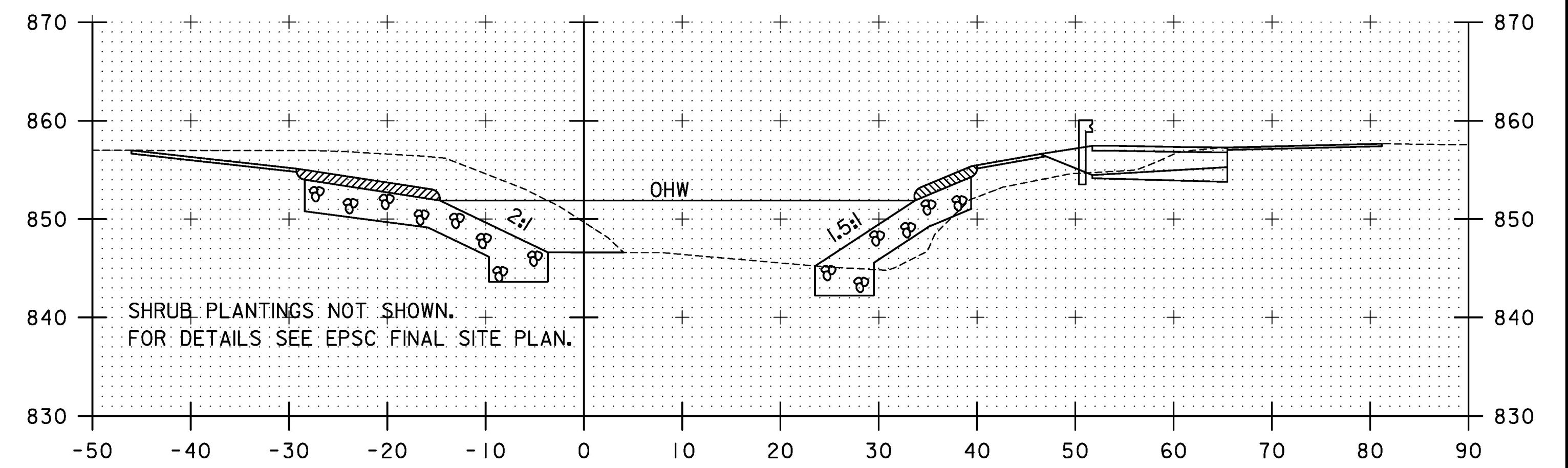
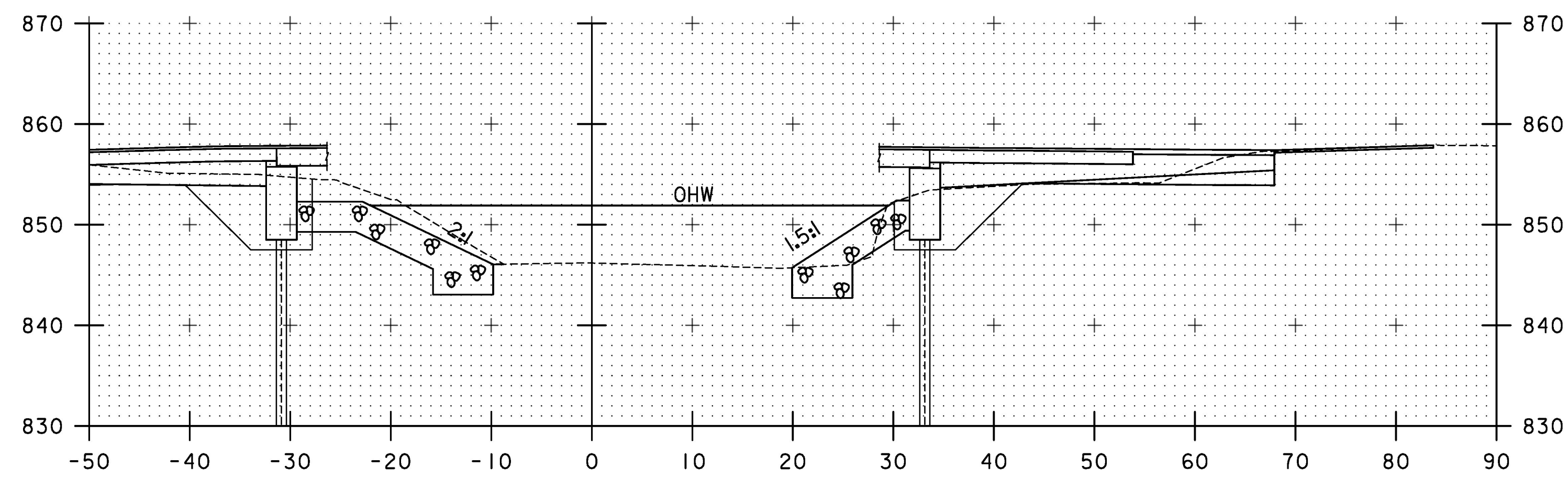


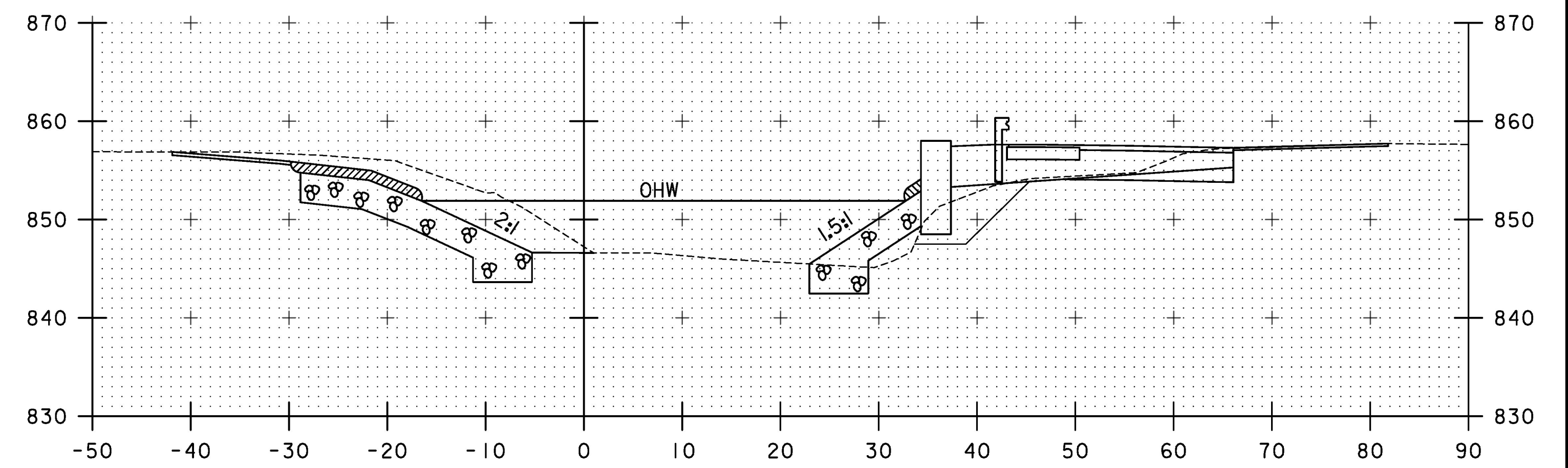
51+10



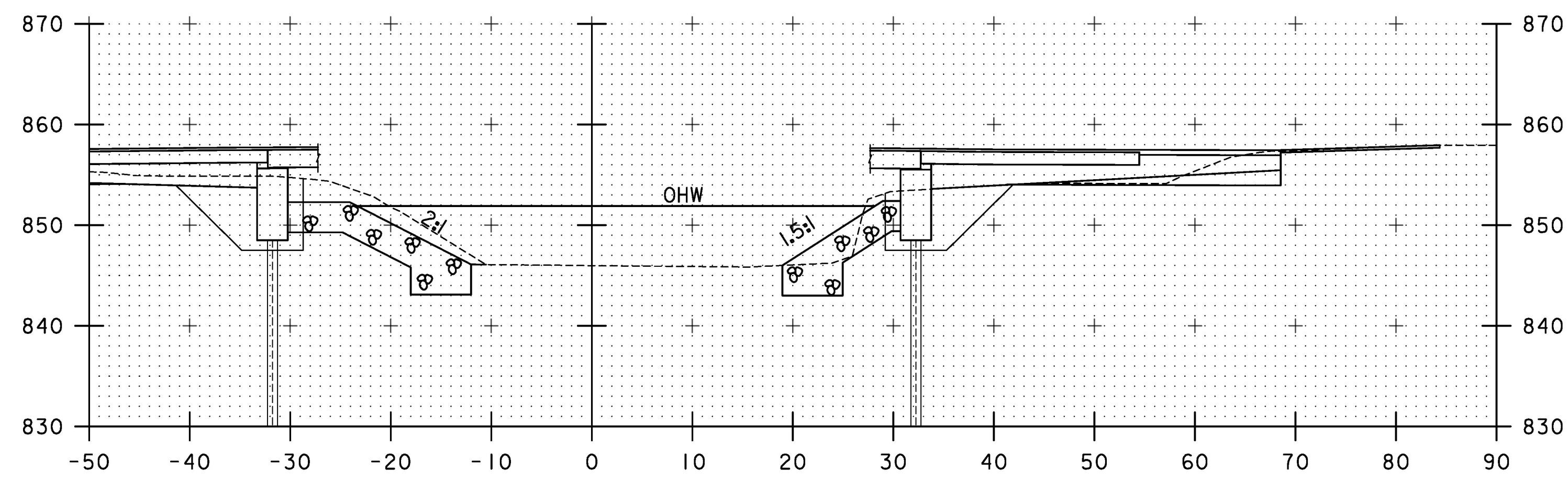
51+25



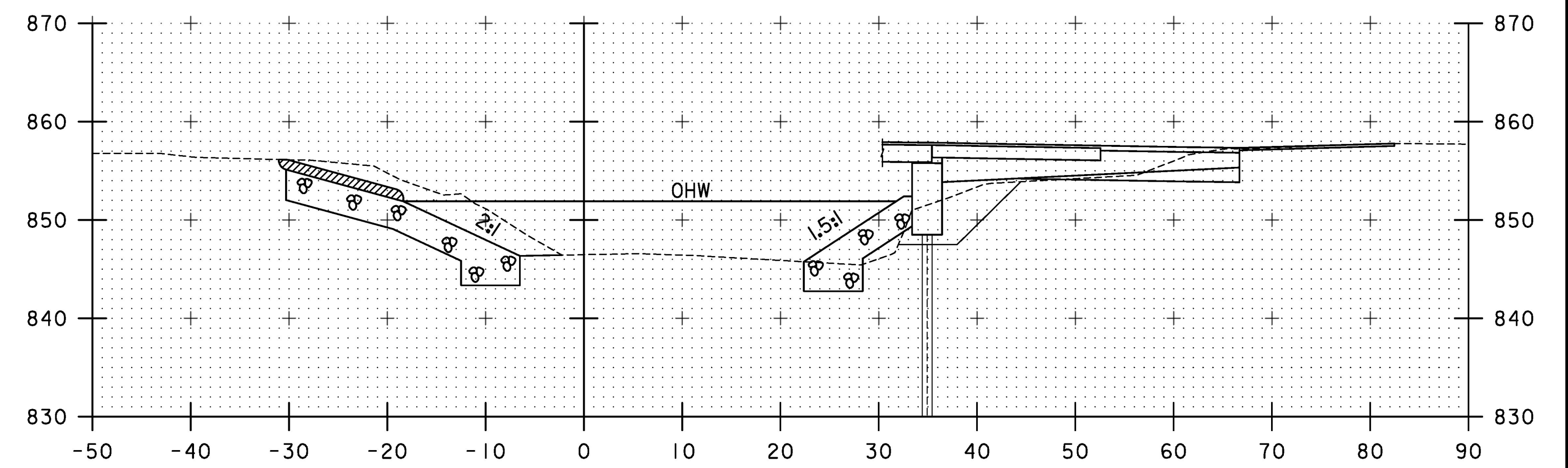
51+05



51+20



51+00



51+15

STA. 51+00 TO STA. 51+25

PROJECT NAME:	BARTON VILLAGE		
PROJECT NUMBER:	BO 1449(33)		
FILE NAME:	z13j078xschnl.dgn	PLOT DATE:	7/26/2016
PROJECT LEADER:	J. OLUND	DRAWN BY:	J. OLUND
DESIGNED BY:	B. TOOTHAKER	CHECKED BY:	T. POULIN
CHANNEL CROSS SECTIONS	2	SHEET	45 OF 110

TYLIN INTERNATIONAL