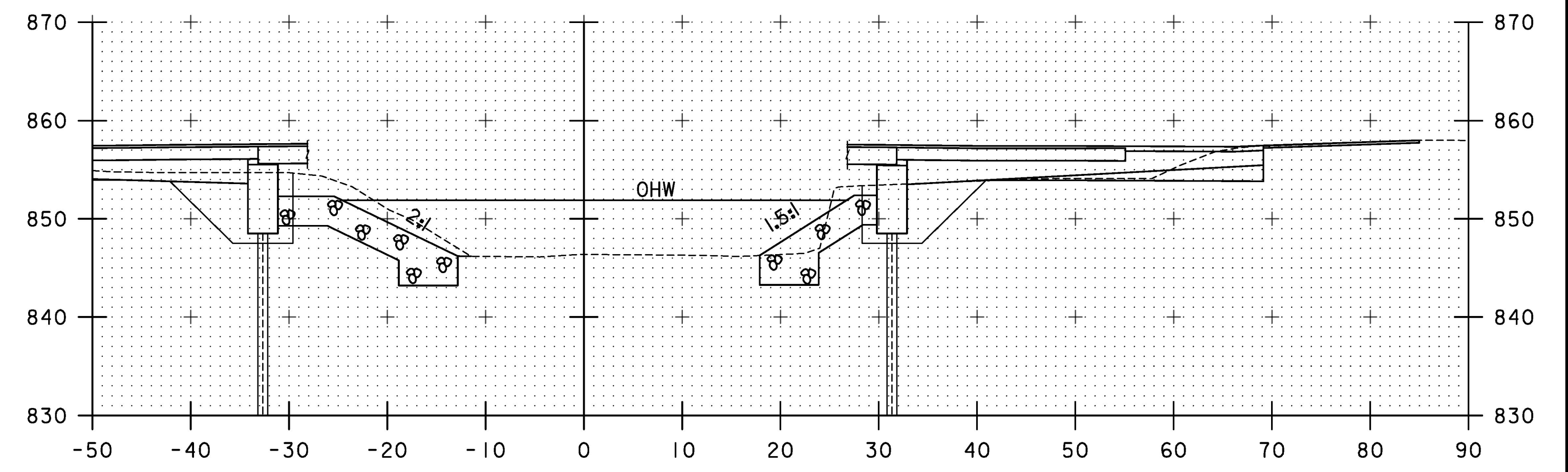


NO GRUBBING MATERIAL BENEATH SUPERSTRUCTURE

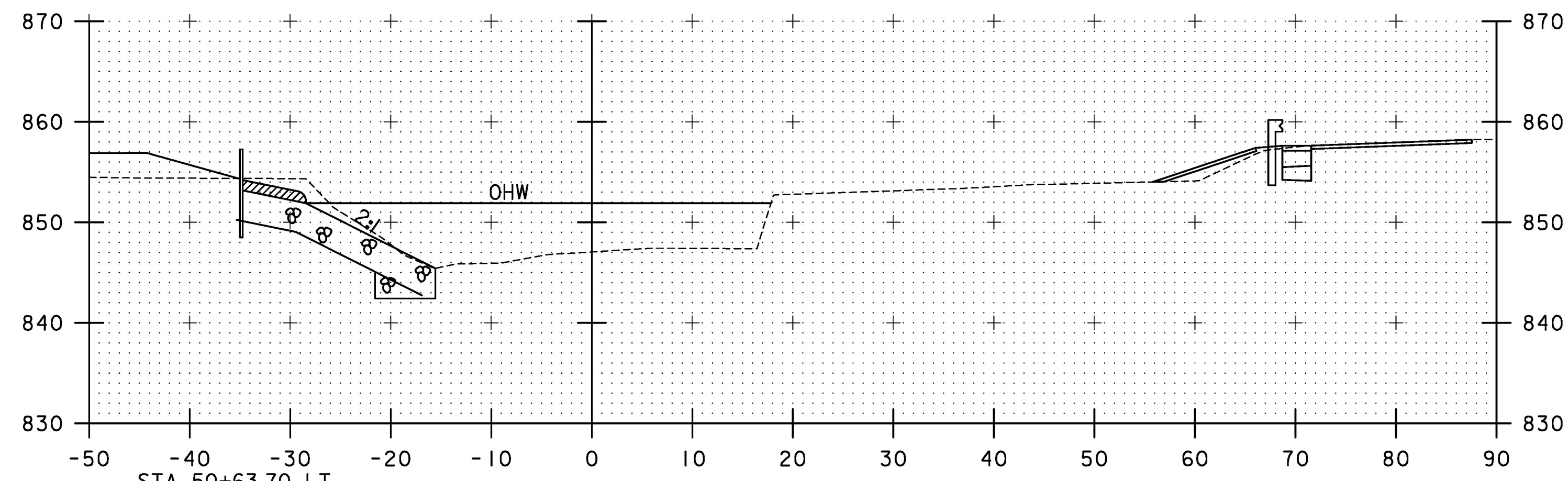
50+80

STA 50+75.39, RT
 BEGIN UNCLASSIFIED CHANNEL EXCAVATION
 BEGIN GEOTEXTILE UNDER STONE FILL
 BEGIN STONE FILL, TYPE III
 BEGIN GRUBBING MATERIAL



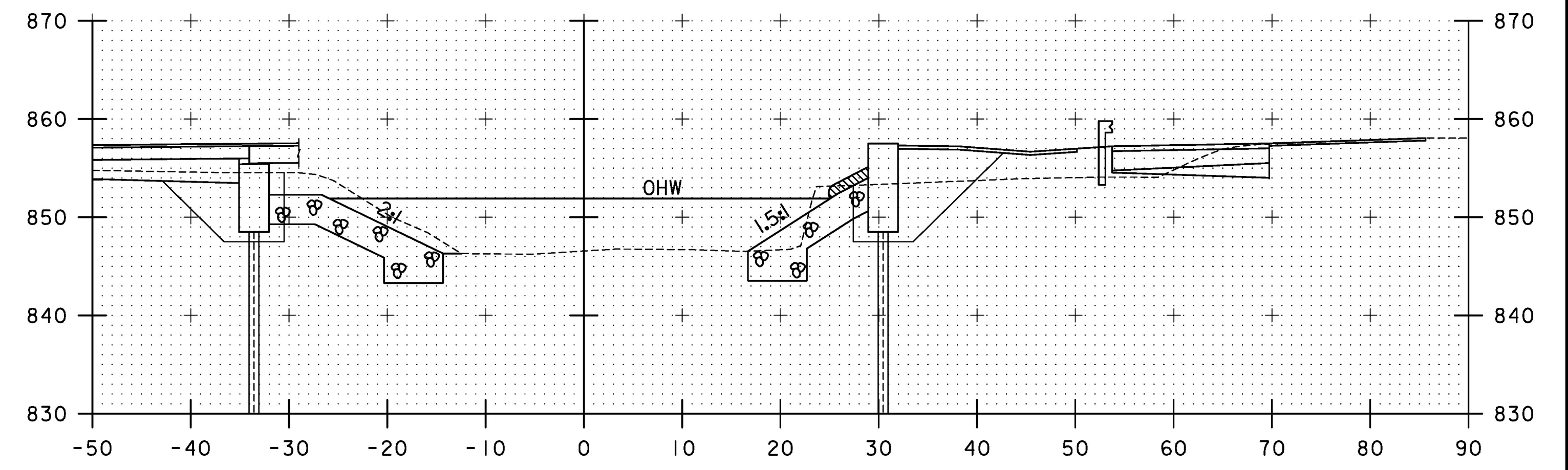
50+95

NO GRUBBING MATERIAL BENEATH SUPERSTRUCTURE

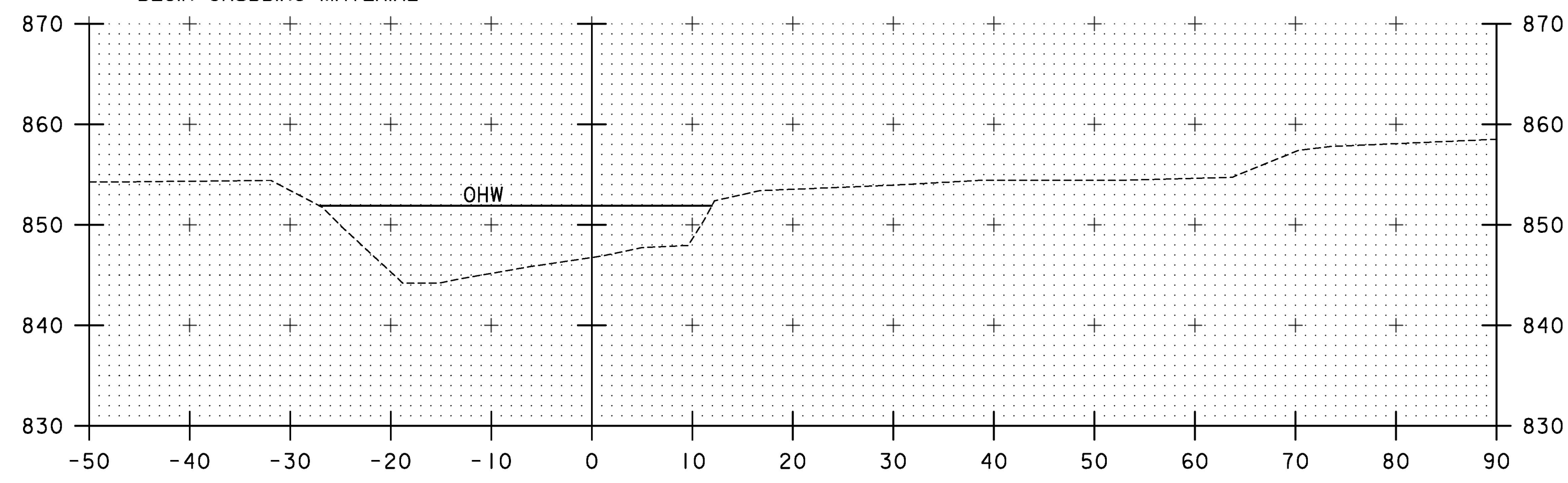


50+75

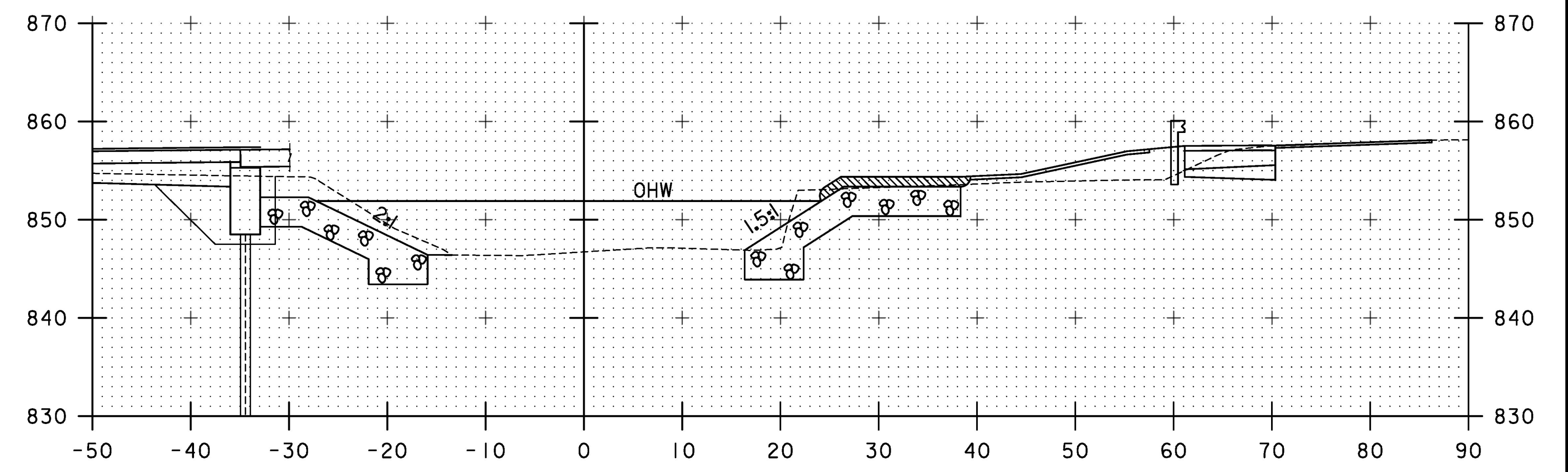
STA 50+63.70, LT
 BEGIN UNCLASSIFIED CHANNEL EXCAVATION
 BEGIN GEOTEXTILE UNDER STONE FILL
 BEGIN STONE FILL, TYPE III
 BEGIN GRUBBING MATERIAL



50+90



50+50



50+85

STA. 50+50 TO STA. 50+95

TYLIN INTERNATIONAL	PROJECT NAME: BARTON VILLAGE	PLOT DATE: 7/26/2016
	PROJECT NUMBER: BO 1449(33)	DRAWN BY: J. OLUND
	FILE NAME: z13j078xschnl.dgn	CHECKED BY: T. POULIN
	DESIGNED BY: B. TOOTHAKER	SHEET 44 OF 110
CHANNEL CROSS SECTIONS I		