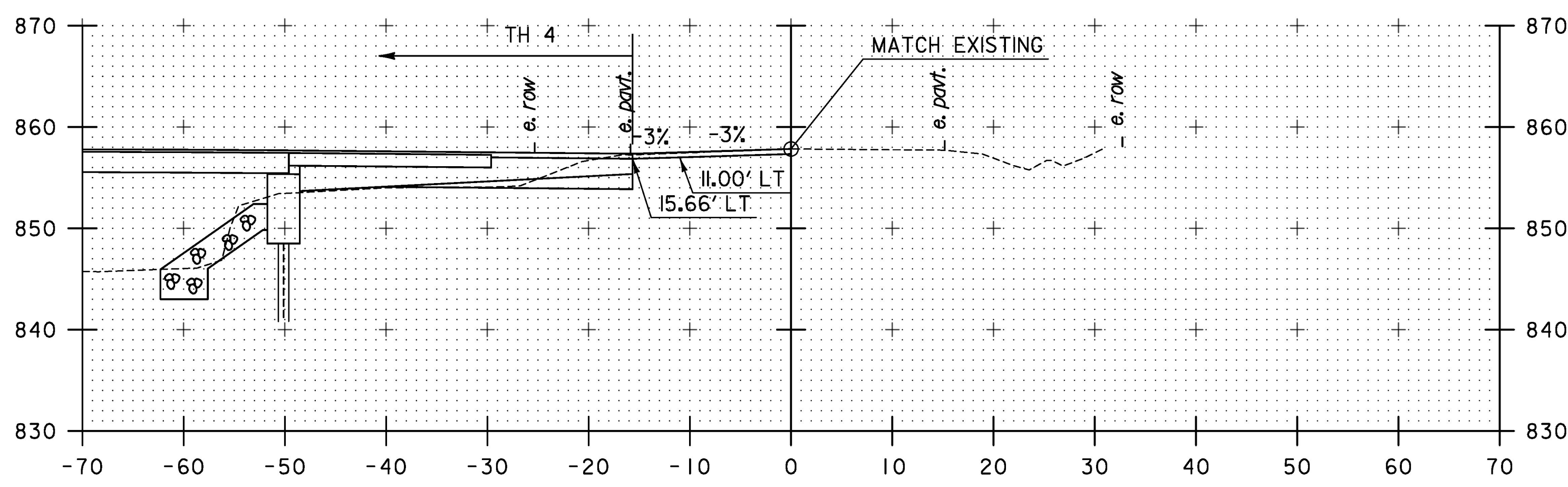
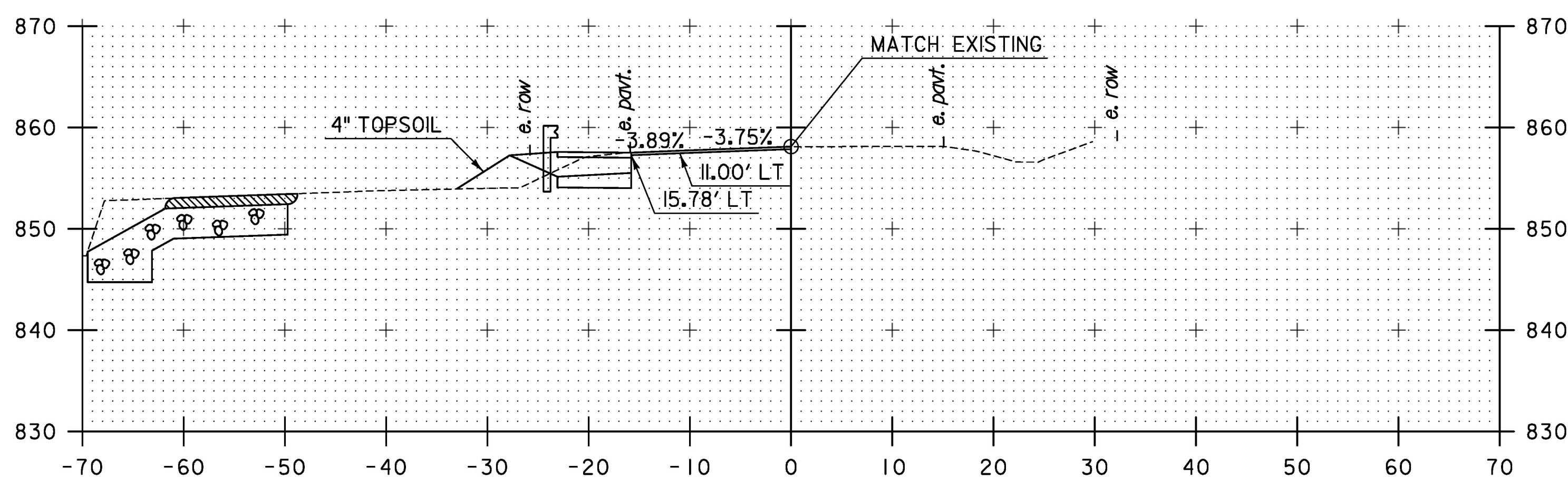


61+75



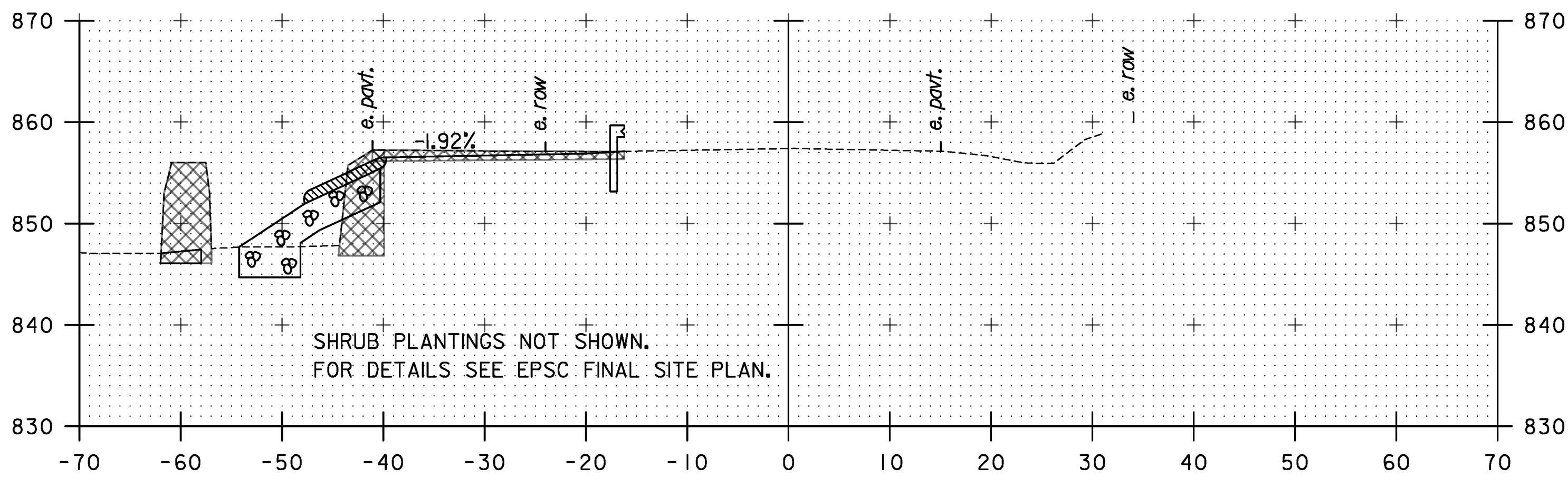
61+50



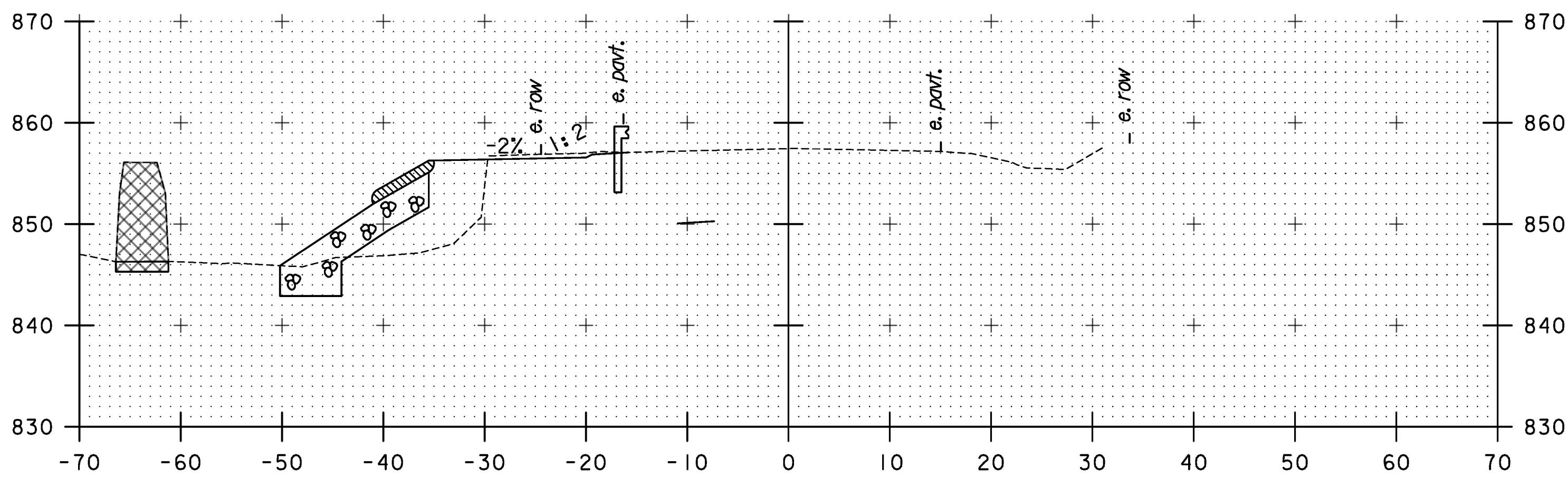
61+25

BEGIN APPROACH STA 61+06.96  
LIMIT OF WORK STA 60+94.95

NOTES: WATER AND SEWER  
LINES BELOW VT 16 RIGHT  
DITCH NOT SHOWN.

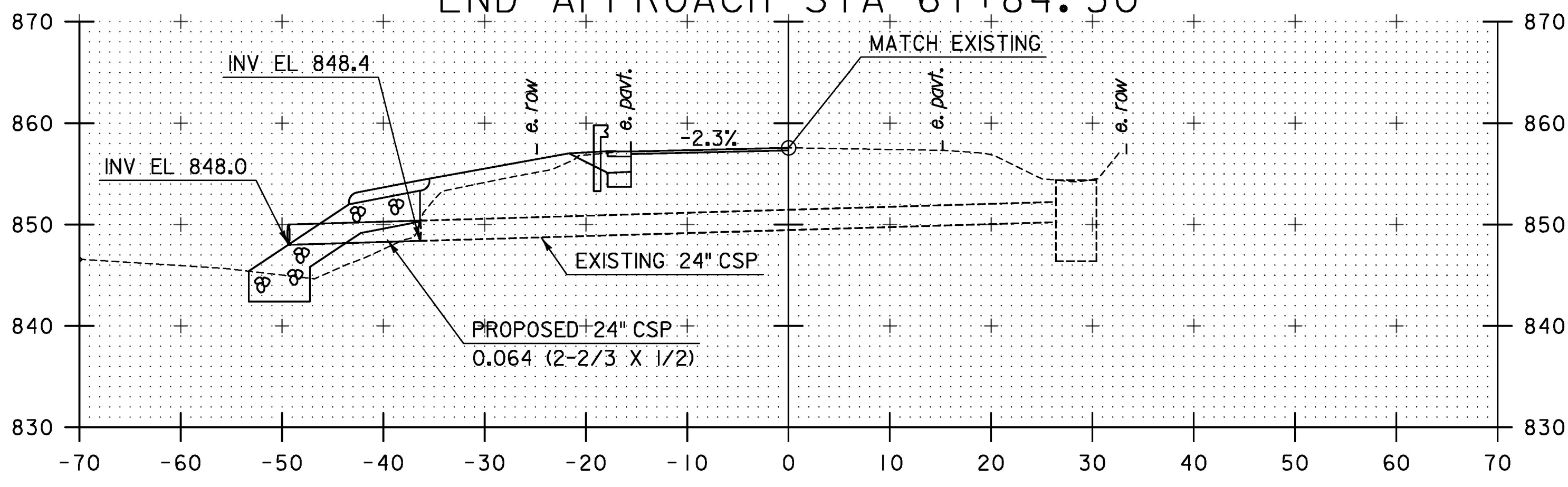


62+25



62+00

END APPROACH STA 61+84.50



61+79

SKEWED 3° 31' 48" BACK RIGHT

STA. 61+25 TO STA. 62+25

<b>TYLIN</b> INTERNATIONAL	PROJECT NAME: BARTON VILLAGE	PLOT DATE: 7/26/2016
	PROJECT NUMBER: BO 1449(33)	DRAWN BY: B. TOOTHAKER
	FILE NAME: z13j078xs2.dgn	CHECKED BY: J. HOWE
	PROJECT LEADER: J. OLUND	SHEET 42 OF 110
	DESIGNED BY: B. TOOTHAKER	
	VT16 CROSS SECTIONS 1	