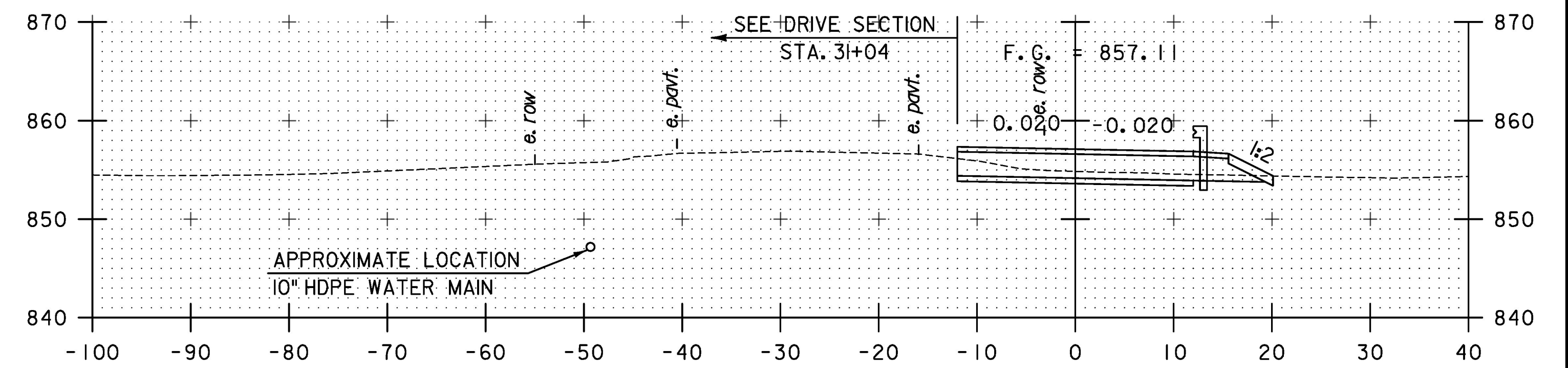
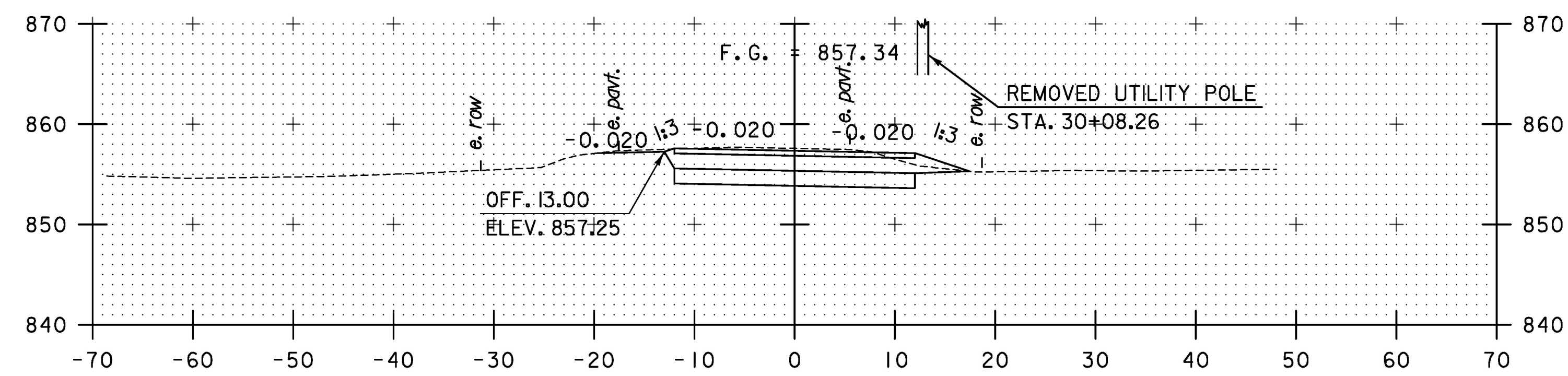


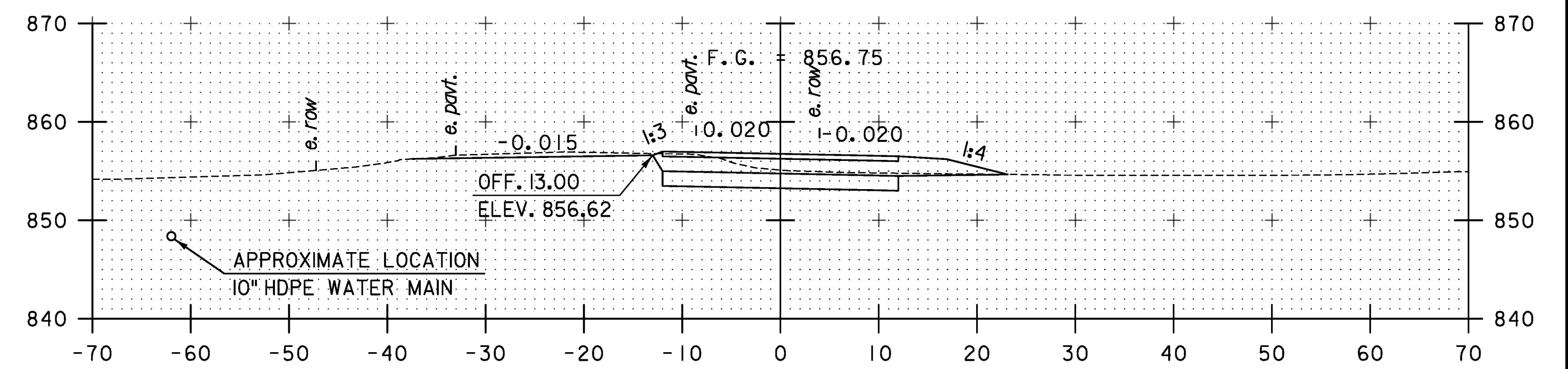
30+25



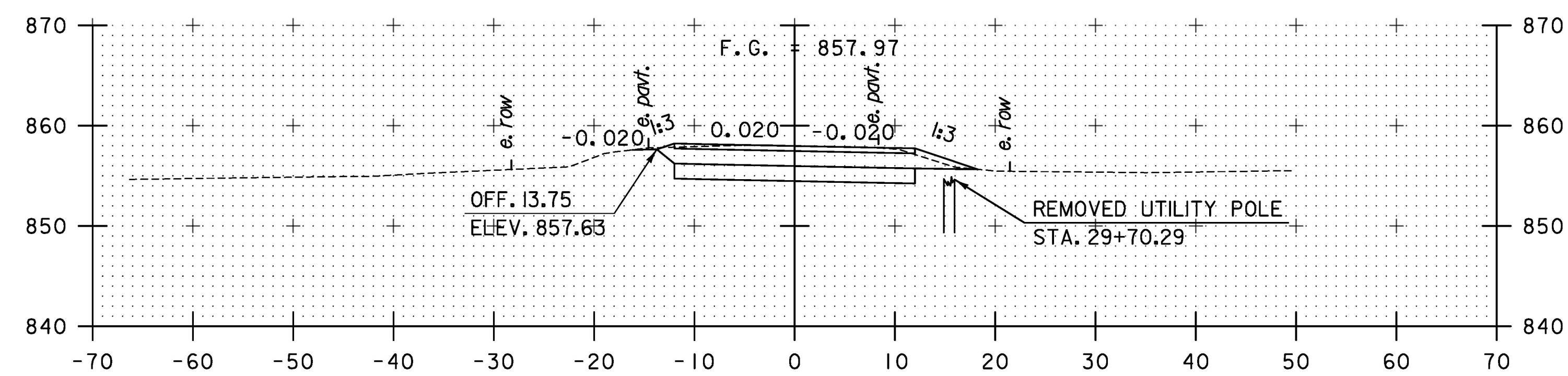
31+00



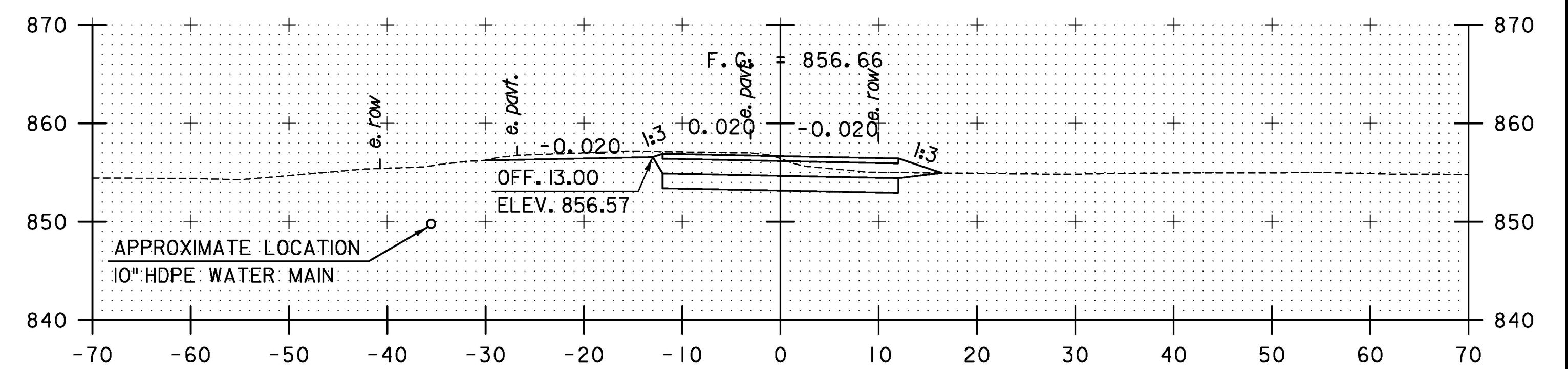
30+00



30+75



29+75



30+50

STA. 29+75 TO STA. 31+00

PROJECT NAME:	BARTON VILLAGE
PROJECT NUMBER:	BO 1449(33)
FILE NAME:	z13j078xsl.dgn
PROJECT LEADER:	J. OLUND
DESIGNED BY:	B. TOOTHAKER
TH4 CROSS SECTIONS 2	
PLOT DATE:	7/26/2016
DRAWN BY:	B. TOOTHAKER
CHECKED BY:	J. HOWE
SHEET	39 OF 110

TYLIN INTERNATIONAL