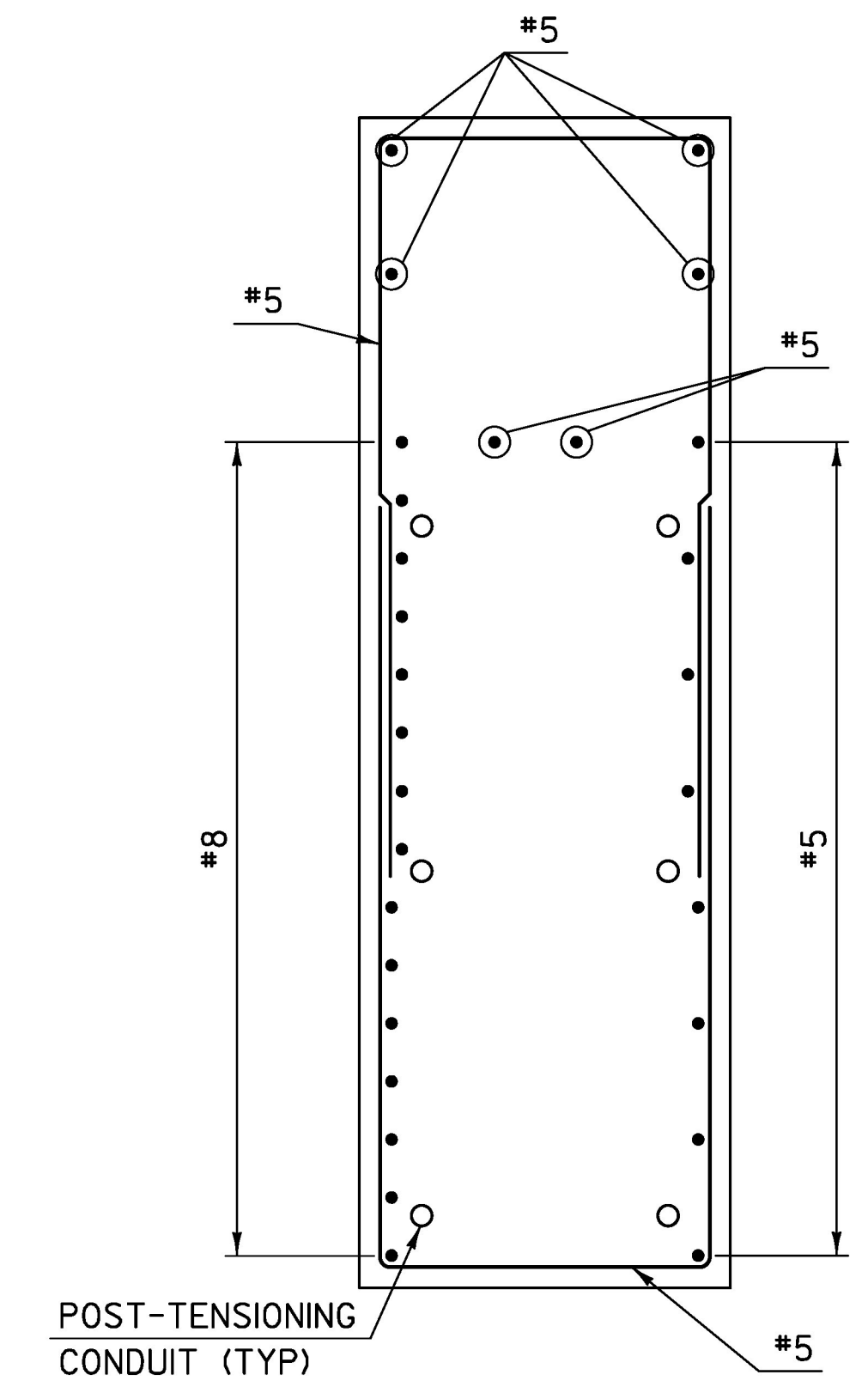
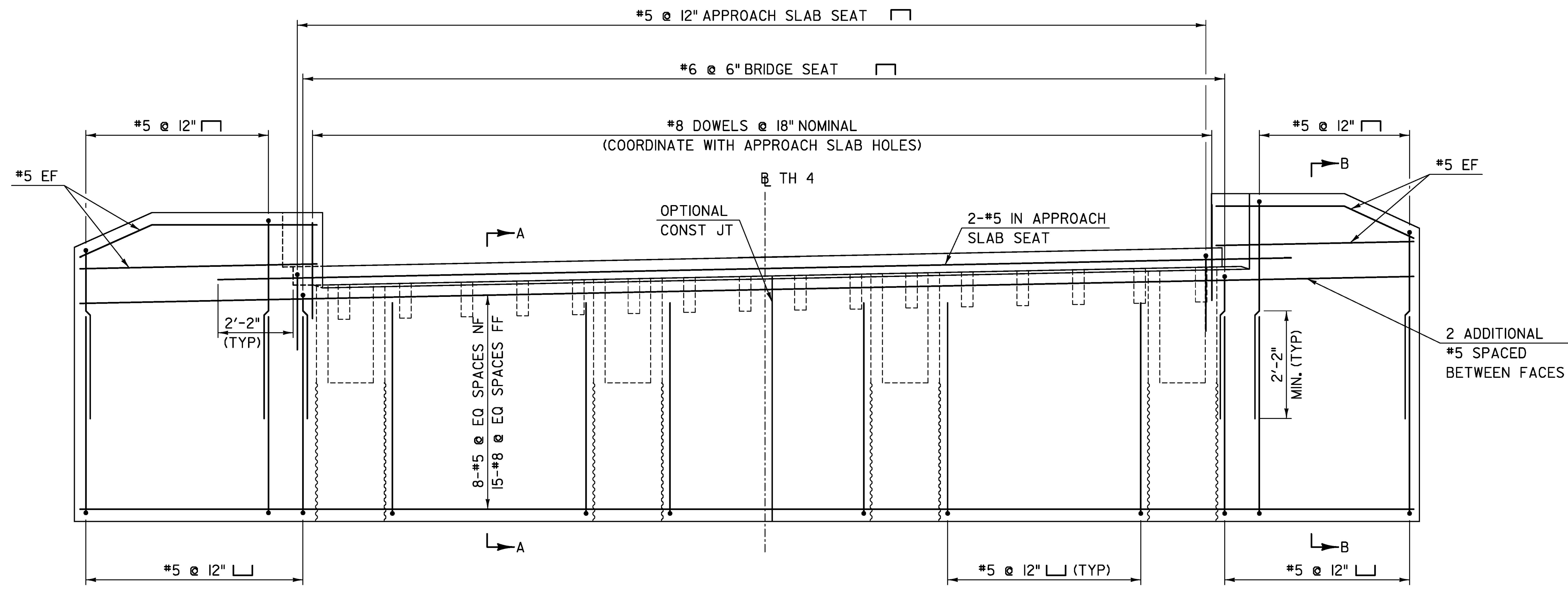


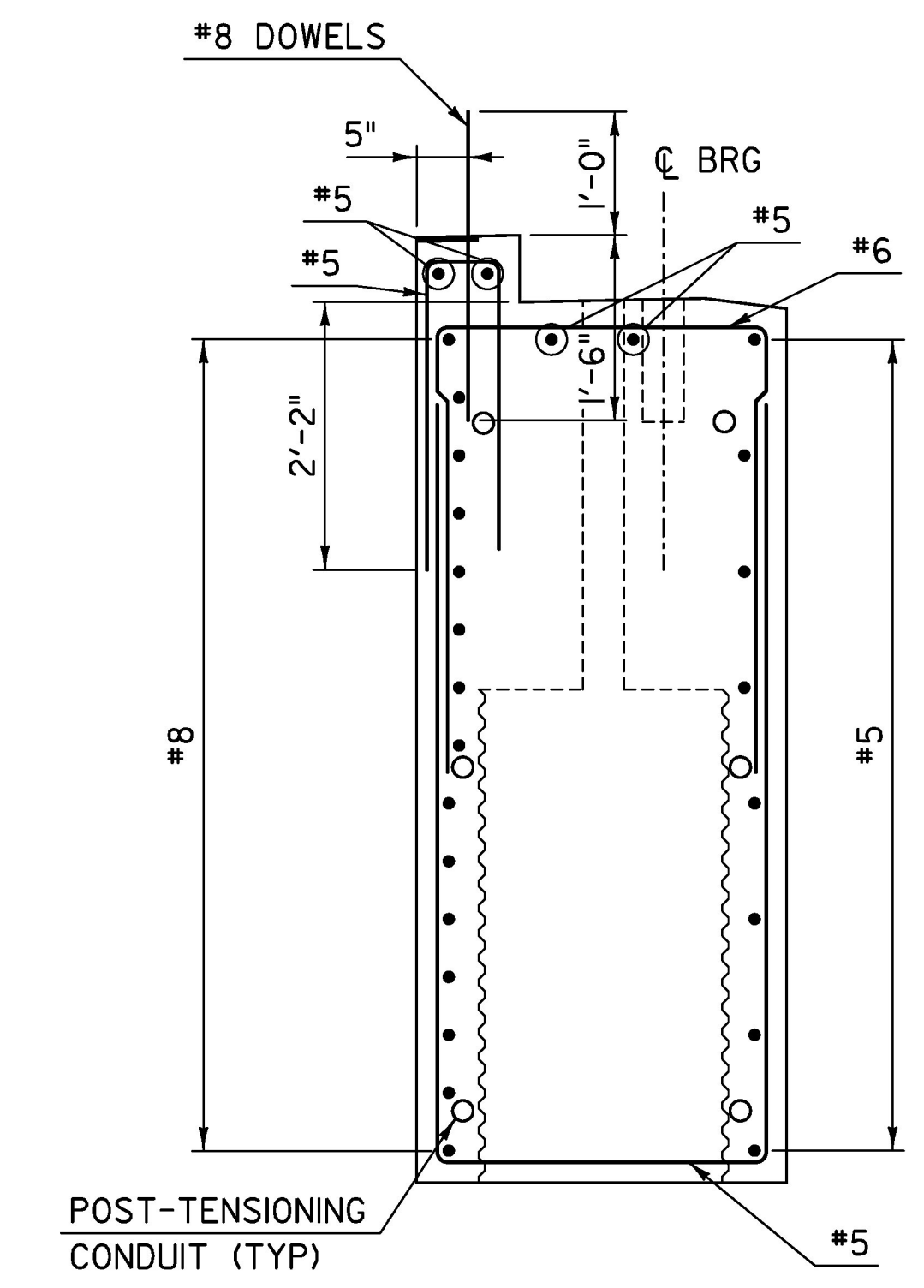
ABUTMENT REINFORCING PLAN
SCALE: 1/2" = 1'-0"



SECTION B-B
SCALE: 3/4" = 1'-0"



ABUTMENT REINFORCING ELEVATION
SCALE: 1/2" = 1'-0"



SECTION A-A
SCALE: 3/4" = 1'-0"

NOTES:

1. ABUTMENT NO 1 SHOWN; ABUTMENT NO 2 SIMILAR.
2. POST-TENSIONING AND PILES NOT SHOWN FOR CLARITY.

NOTE:

NF = NEAR FACE
FF = FAR FACE
EF = EACH FACE
SPLICES NOT DETAILED
SHALL BE DESIGNED.

TYLIN INTERNATIONAL	PROJECT NAME: BARTON VILLAGE	PLOT DATE: 7/26/2016
	PROJECT NUMBER: BO 1449(33)	DRAWN BY: S. MORGAN
	FILE NAME: z13j078sub3.dgn	CHECKED BY: C. TAYLOR
	ABUTMENT REINFORCING	SHEET 37 OF 110