

ABUTMENT ELEVATIONS	
ELEV "A"	857.29
ELEV "B"	856.29
ELEV "C"	848.50
ELEV "D"	855.72
ELEV "E"	855.74
ELEV "F"	855.20
ELEV "G"	855.23
ELEV "H"	856.35
ELEV "I"	856.37
ELEV "J"	855.83
ELEV "K"	855.86
ELEV "L"	857.92
ELEV "M"	856.92

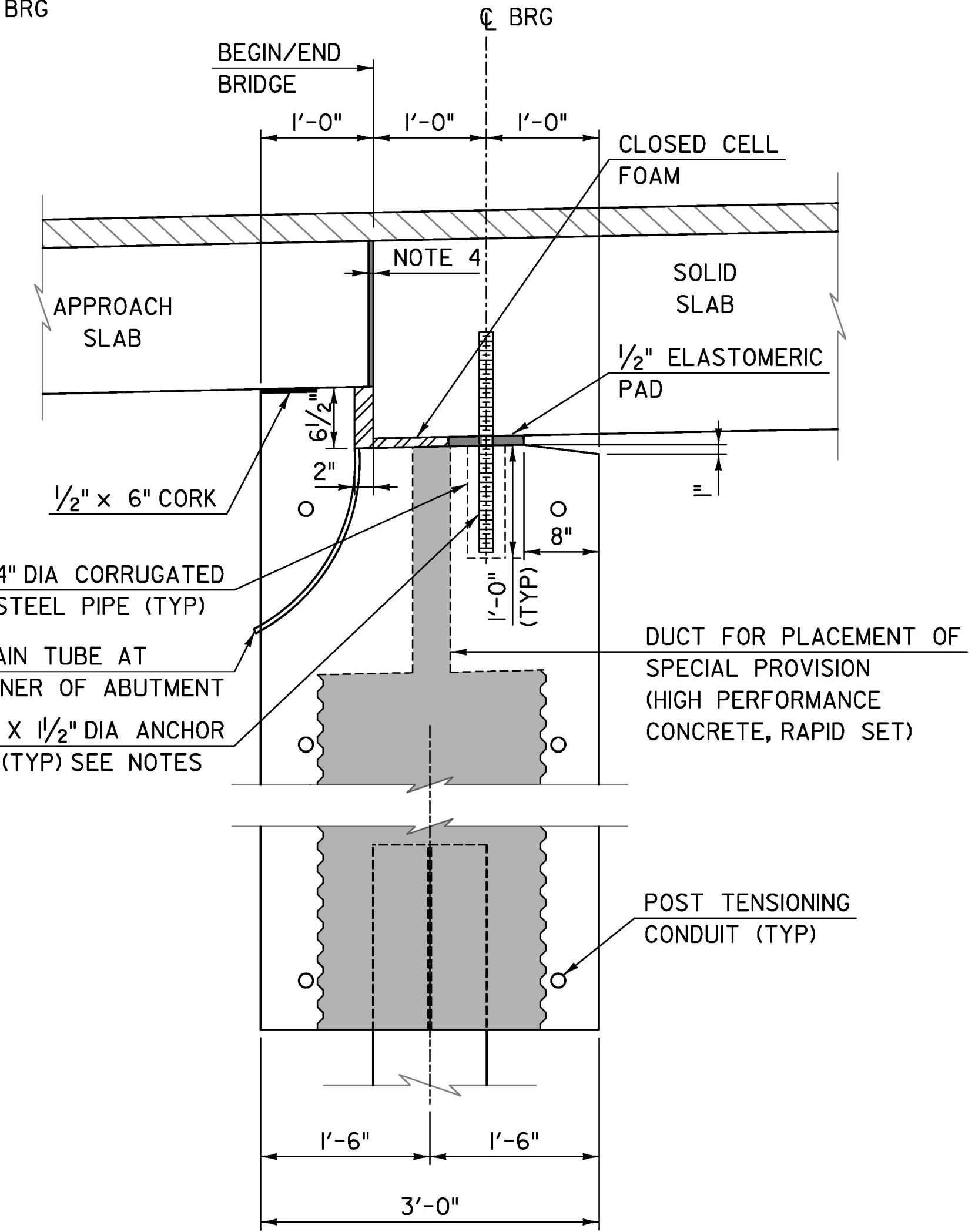
ABUTMENT NO 1 - PLAN
SCALE: 1/2" = 1'-0"

LEGEND:
 ITEM 900.608, "SPECIAL PROVISION (HIGH PERFORMANCE CONCRETE, RAPID SET) (FPQ)"

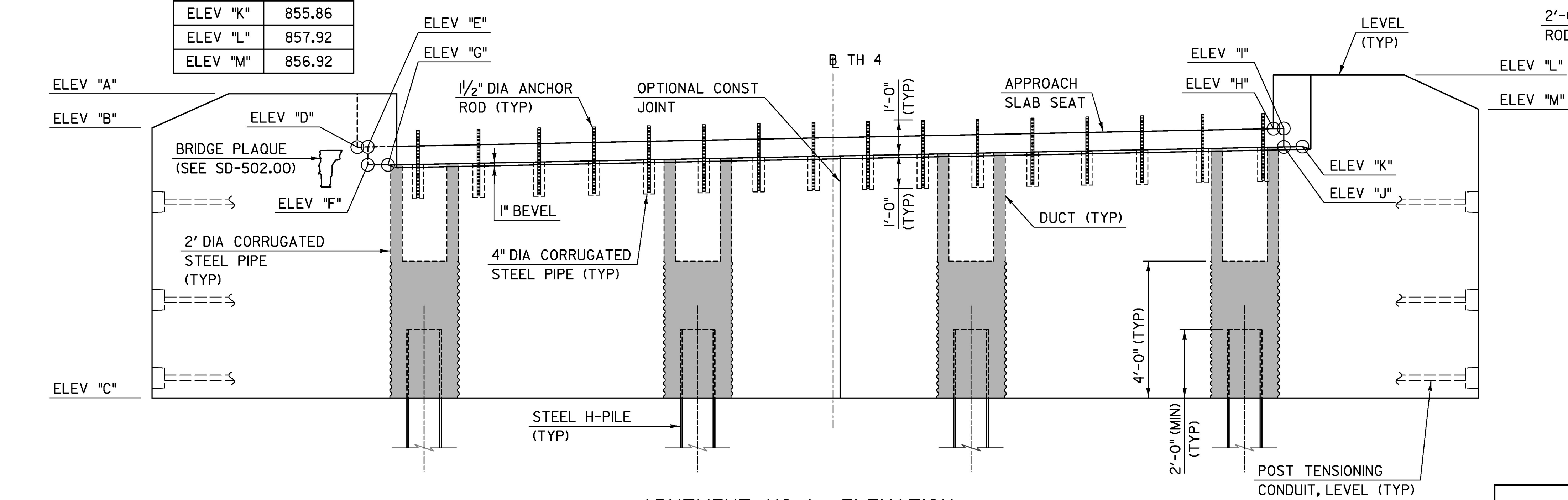
ABUTMENT CAST IN PLACE
SEE COD #1

NOTES:

- ANCHOR RODS SHALL BE ASTM F1554 GRADE 105, GALVANIZED, AND SHALL MEET THE REQUIREMENTS OF SUBSECTION 714.08.
- ANCHOR RODS WILL BE CONSIDERED INCIDENTAL TO ITEM 900.640, "SPECIAL PROVISION (PRESTRESSED CONCRETE SOLID SLABS) (2" X 36)".
- DUCTS FOR FILLING PILE CAVITIES SHALL BE SPACED ON OPPOSITE SIDES OF PILE CAVITY AND A MINIMUM OF 2" CLEAR FROM STEEL PIPES FOR ANCHOR RODS.
- APPROACH SLABS SHALL BE INSTALLED FLUSH WITH END OF SOLIDS SLABS. ALL GAPS BETWEEN END OF APPROACH SLAB AND SOLIDS SLABS GREATER THAN 1/4" SHALL BE FILLED WITH MORTAR, TYPE IV. PAYMENT WILL BE CONSIDERED INCIDENTAL TO THE APPROPRIATE PRECAST CONCRETE APPROACH SLAB PAY ITEM.



ABUTMENT - TYPICAL SECTION
SCALE: 1" = 1'-0"



ABUTMENT NO 1 - ELEVATION
SCALE: 1/2" = 1'-0"

PROJECT NAME:	BARTON VILLAGE
PROJECT NUMBER:	BO 1449(33)
FILE NAME:	z13j078subl.dgn
PROJECT LEADER:	J. OLUND
DESIGNED BY:	D. MYERS
ABUTMENT 1 PLAN, ELEVATION, & SECTION	
PLOT DATE:	7/26/2016
DRAWN BY:	S. MORGAN
CHECKED BY:	C. TAYLOR
	SHEET 35 OF 110

TYLIN INTERNATIONAL