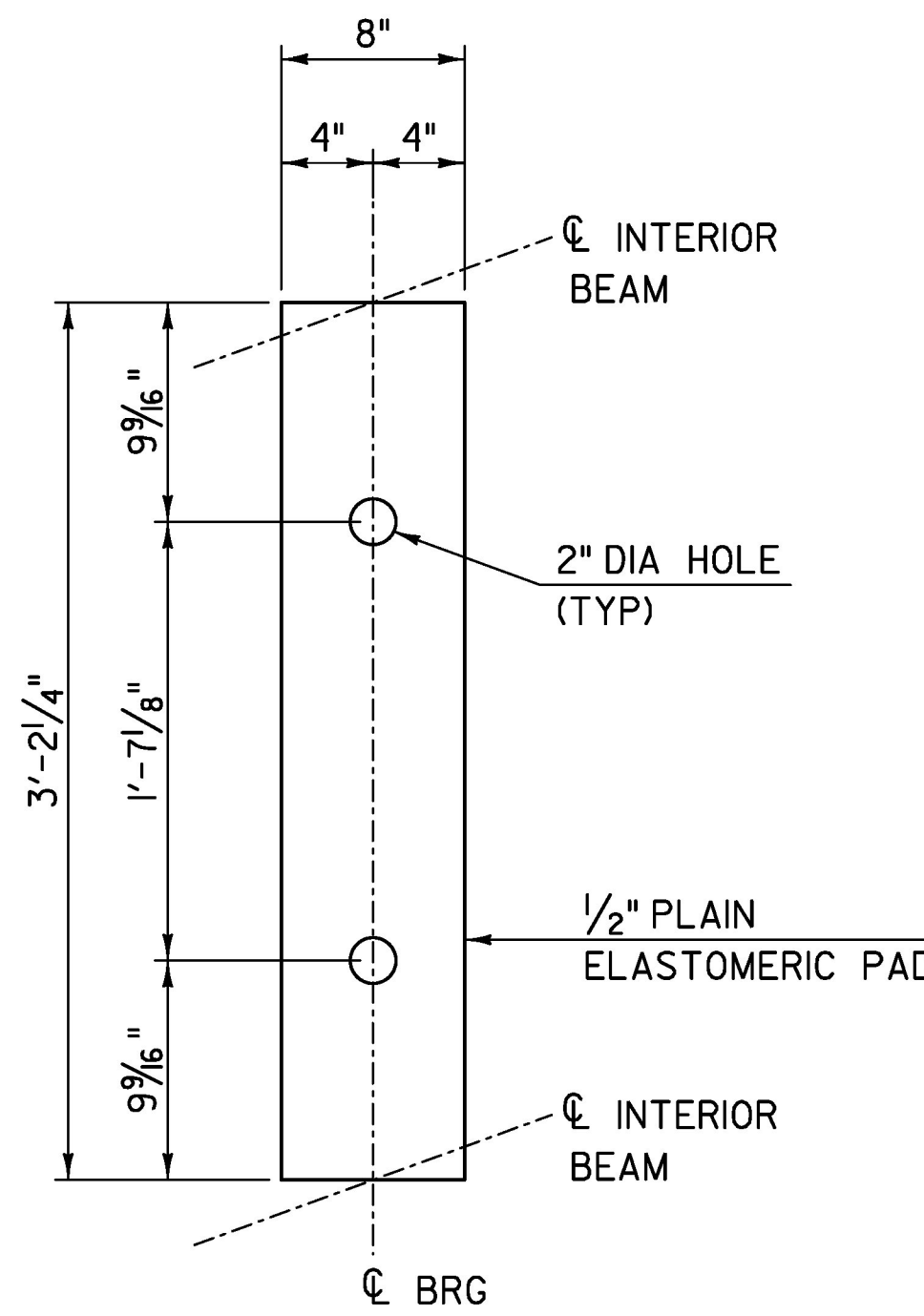


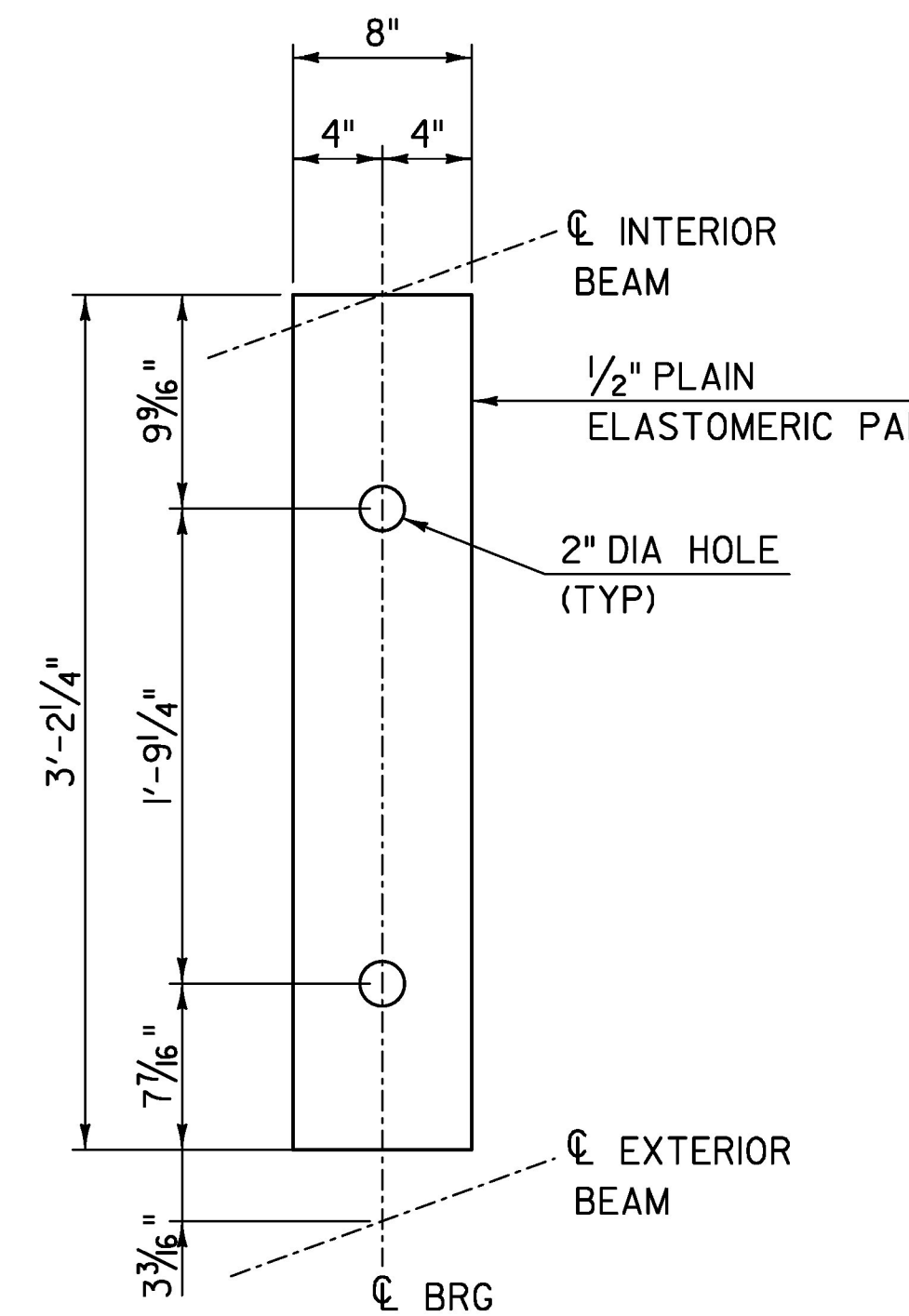
BEARING LAYOUT

SCALE: 1/2" = 1'-0"



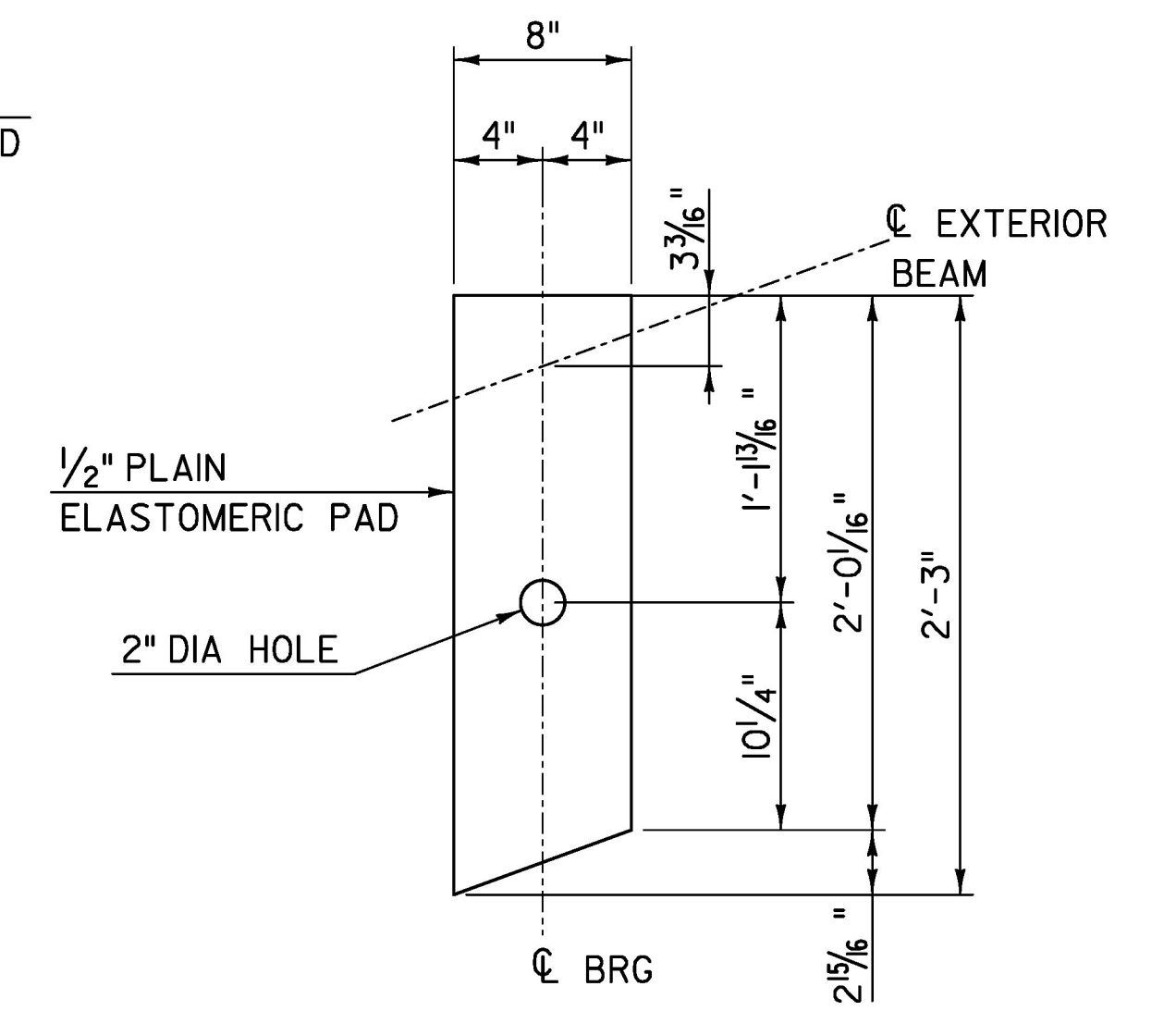
INTERIOR BEARING PAD TYPE I DETAIL

SCALE: 1/2" = 1'-0"
(5 REQUIRED PER ABUTMENT)



INTERIOR BEARING PAD TYPE II DETAIL

SCALE: 1/2" = 1'-0"
(2 REQUIRED PER ABUTMENT)



EXTERIOR BEARING PAD DETAIL

SCALE: 1/2" = 1'-0"
(2 REQUIRED PER ABUTMENT)

NOTES:

1. BEARINGS SHALL CONFORM TO THE APPLICABLE SUBSECTIONS OF SECTIONS 53I AND 73I. PAYMENT WILL BE MADE UNDER ITEM 53I.16, BEARING DEVICE ASSEMBLY, PLAIN ELASTOMERIC PAD.
2. THE PLAIN ELASTOMERIC BEARING PADS WERE DESIGNED WITH A SHEAR MODULUS OF 110 PSI +/- 15%.

TYLININTERNATIONAL

PROJECT NAME: BARTON VILLAGE
PROJECT NUMBER: BO 1449(33)

FILE NAME: z13j078sup3.dgn
PROJECT LEADER: J. OLUND
DESIGNED BY: D. MYERS
BEARING DETAILS

PLOT DATE: 7/26/2016
DRAWN BY: S. MORGAN
CHECKED BY: J. OLUND
SHEET 32 OF 110