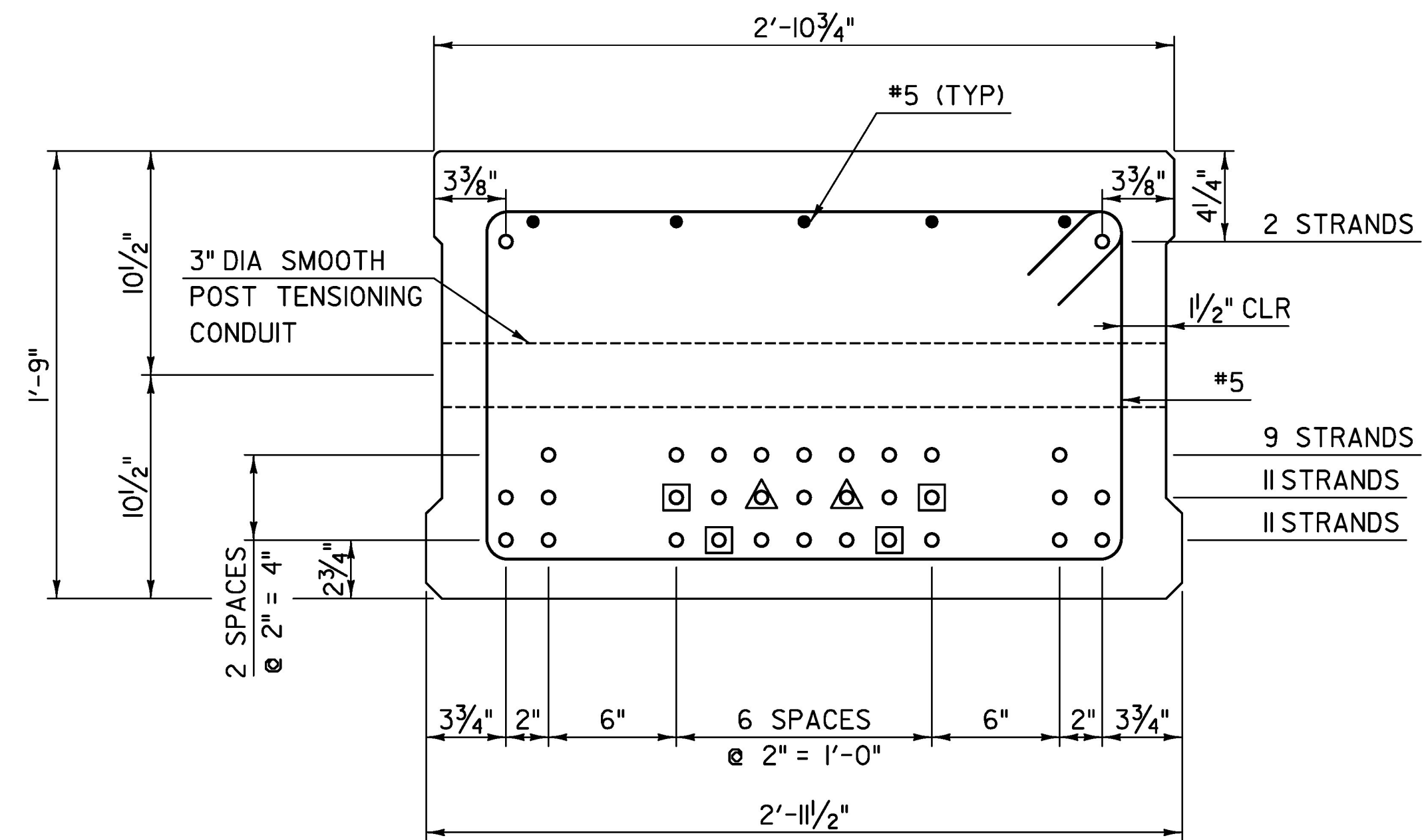


TYPICAL EXTERIOR SECTION

SCALE: 2" = 1'-0"

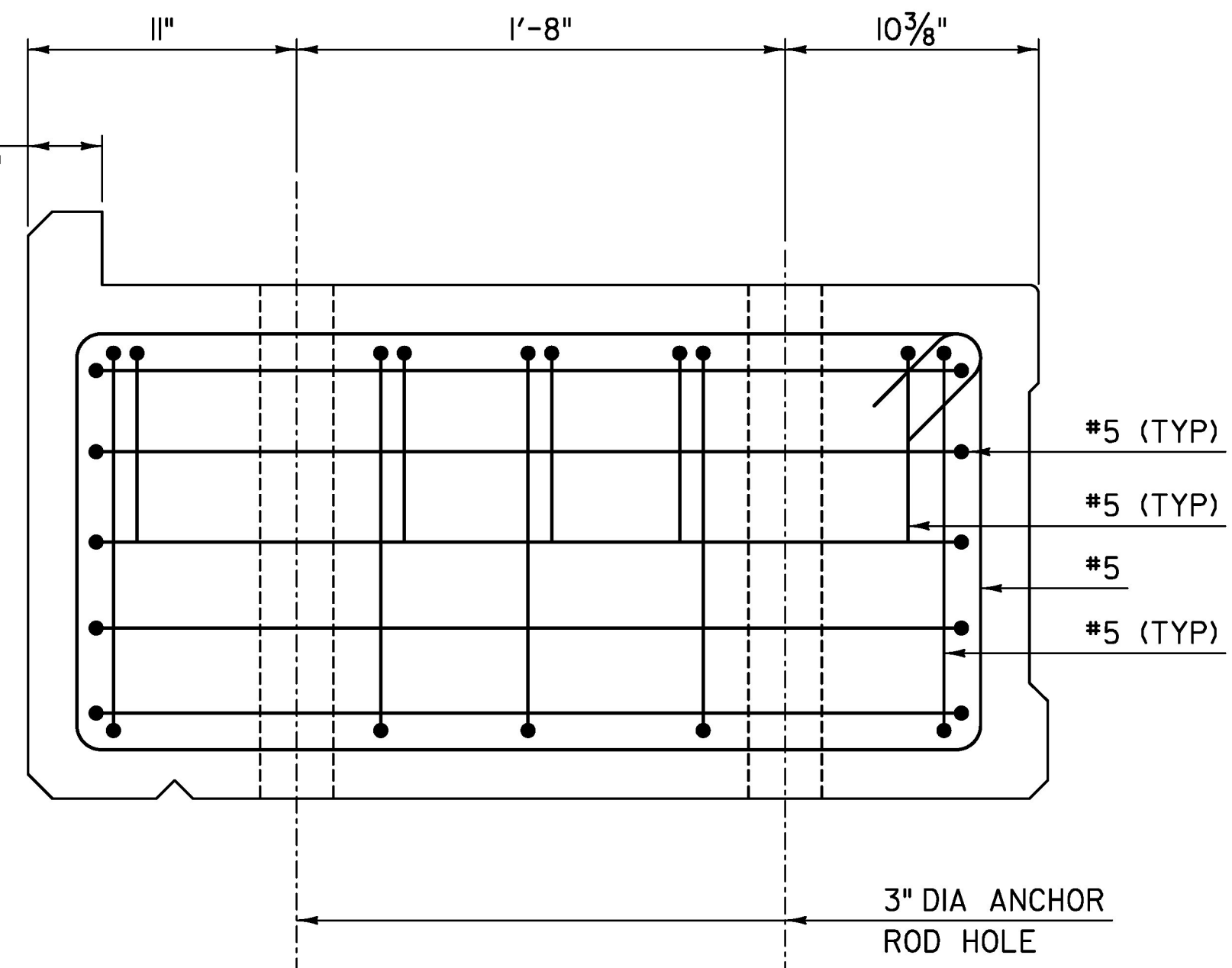
LEGEND:

- △ DEBONDED 6'-0" EACH END
- DEBONDED 12'-0" EACH END
- 0.6" PRESTRESSING STRAND
- REINFORCING STEEL (TYP)



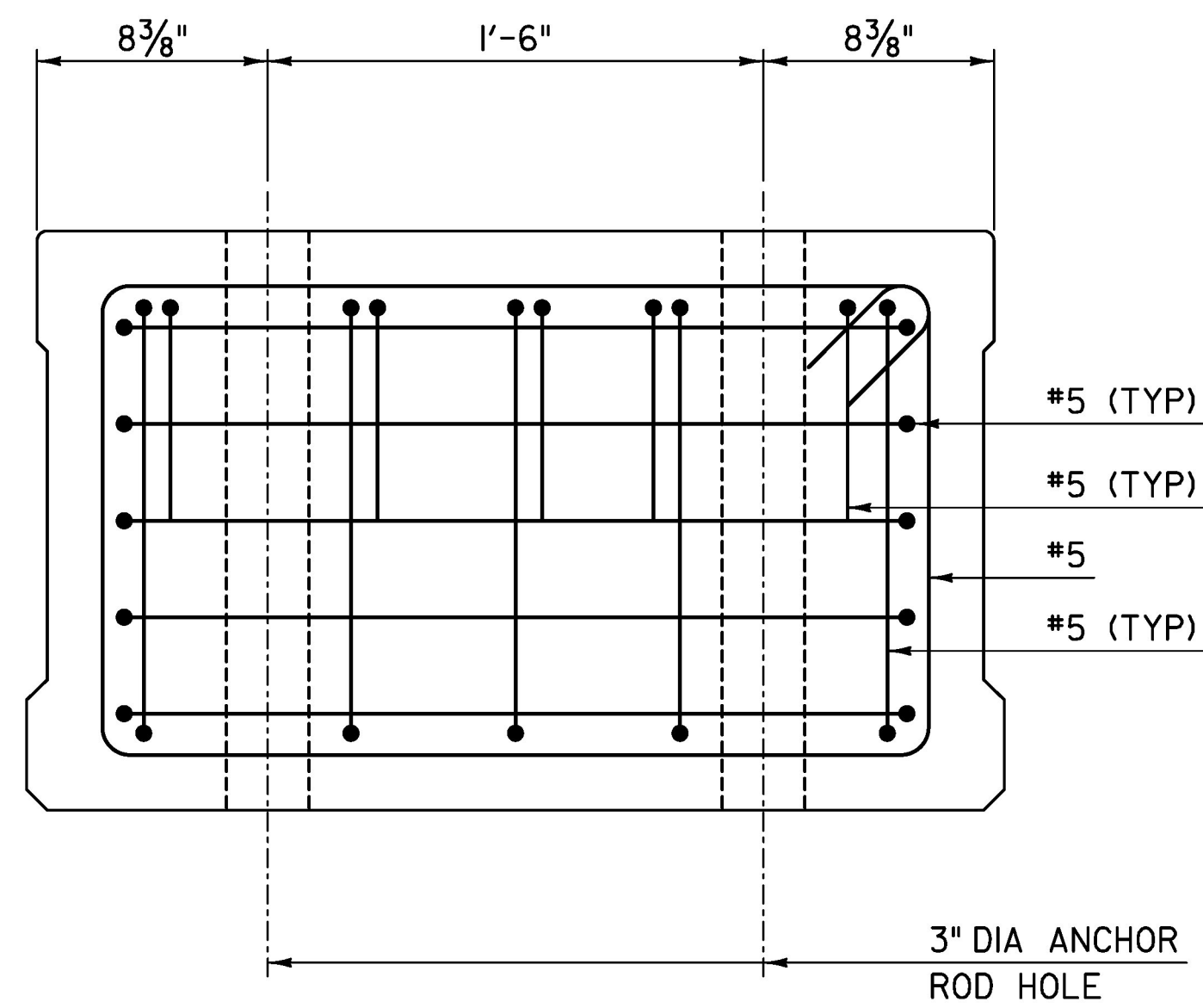
TYPICAL INTERIOR SECTION

SCALE: 2" = 1'-0"



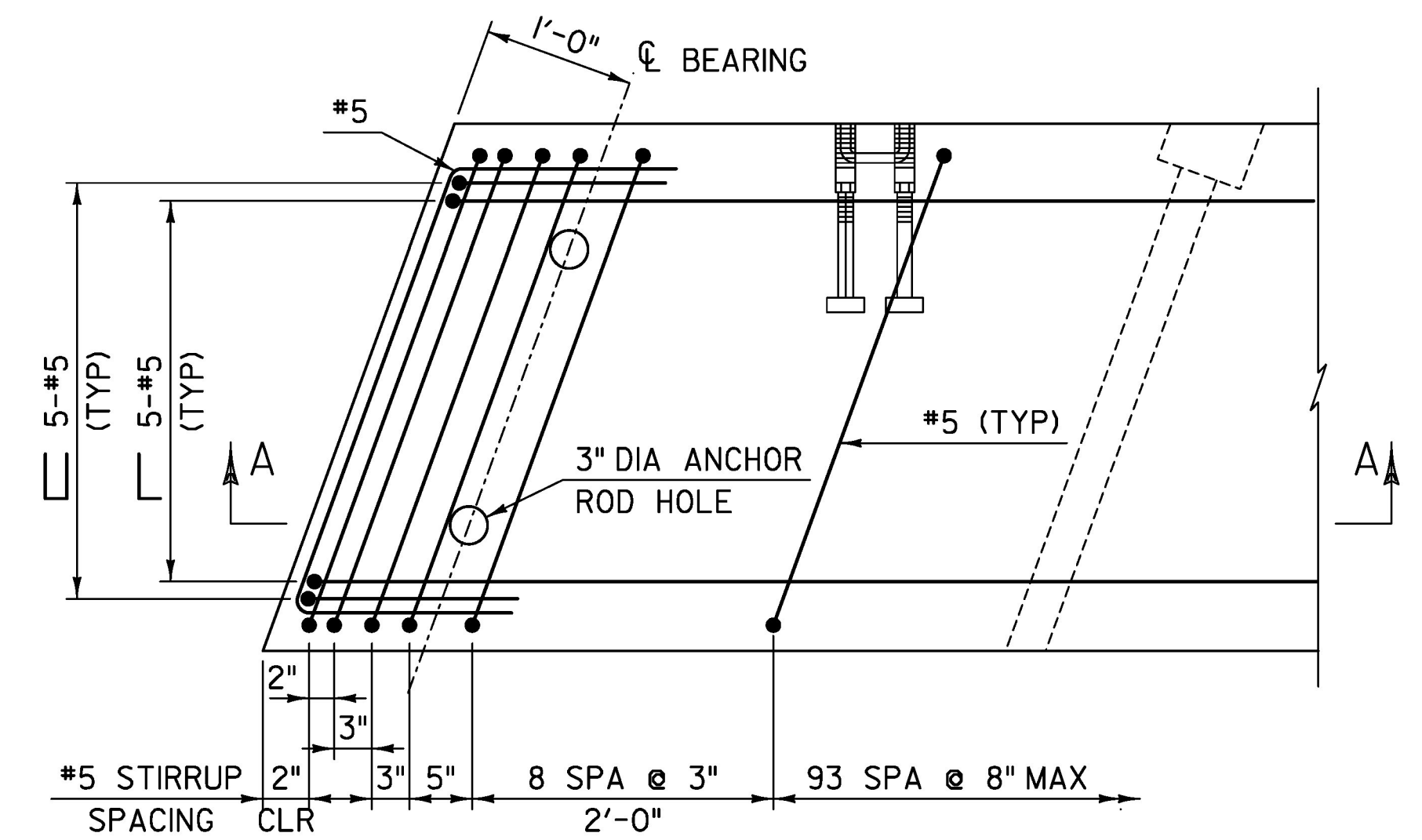
END ELEVATION EXTERIOR BEAM

SCALE: 2" = 1'-0"
(PRESTRESSING STRAND NOT SHOWN FOR CLARITY)



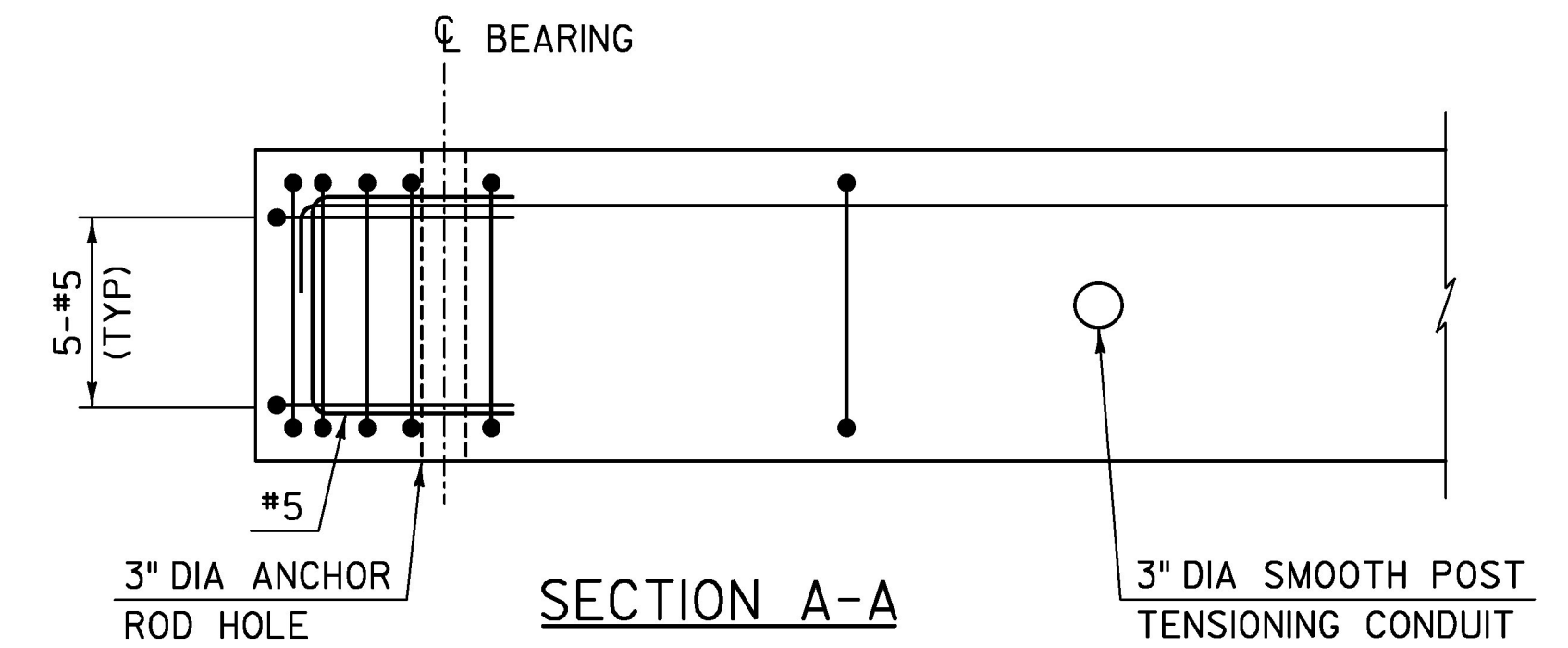
END ELEVATION INTERIOR BEAM

SCALE: 2" = 1'-0"
(PRESTRESSING STRAND NOT SHOWN FOR CLARITY)



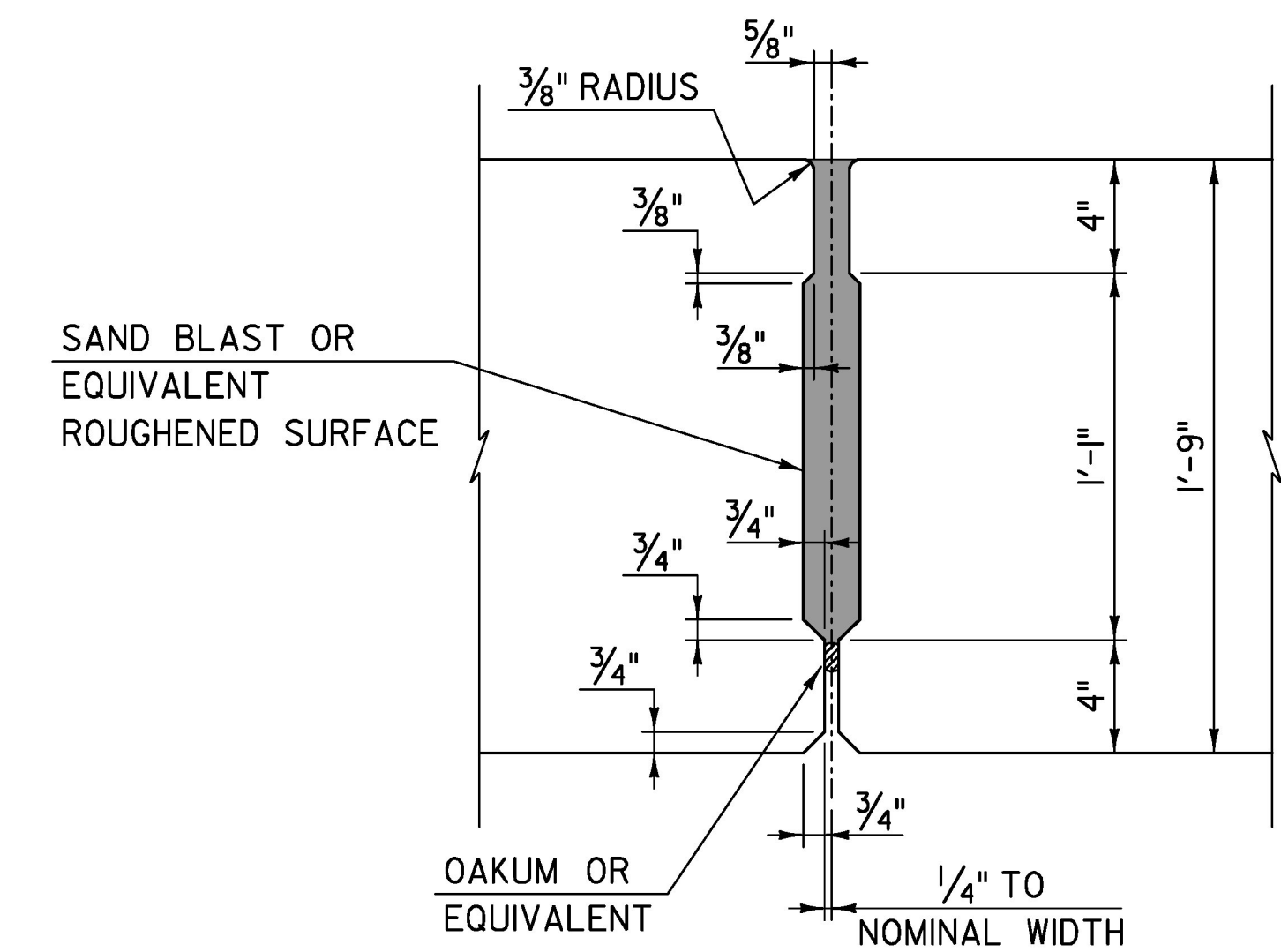
TYPICAL END REINFORCING PLAN

SCALE: 1" = 1'-0"
(EXTERIOR BEAM SHOWN, INTERIOR SIMILAR)
(PRESTRESSING STRAND NOT SHOWN FOR CLARITY)



SECTION A-A

SCALE: 1" = 1'-0"
(PRESTRESSING STRAND NOT SHOWN FOR CLARITY)



SHEAR KEY DETAIL

SCALE: 2" = 1'-0"

LEGEND:

- ITEM 510.24, "GROUTING SHEAR KEYS"

TYLININTERNATIONAL

PROJECT NAME: BARTON VILLAGE
PROJECT NUMBER: BO 1449(33)

FILE NAME: z13j078sup2.dgn
PROJECT LEADER: J. OLUND
DESIGNED BY: D. MYERS
SUPERSTRUCTURE DETAILS

PLOT DATE: 7/26/2016
DRAWN BY: S. MORGAN
CHECKED BY: T. POULIN
SHEET 31 OF 110