

GPS CONTROL POINTS

---HVCTRL #1---

ASHTON AZ MK
 NORTH = 814450.470
 EAST = 1722648.050
 ELEV. = 894.650

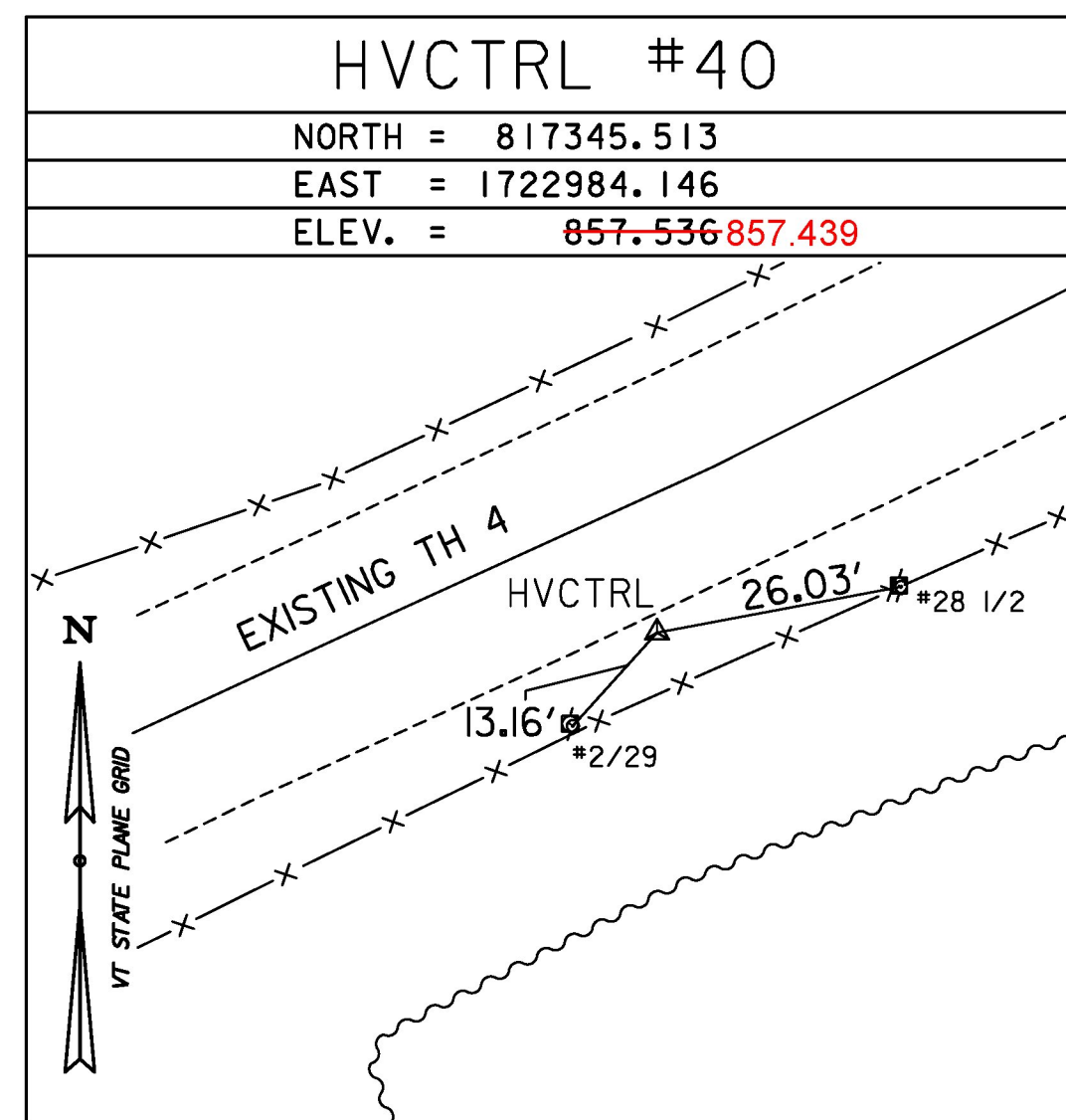
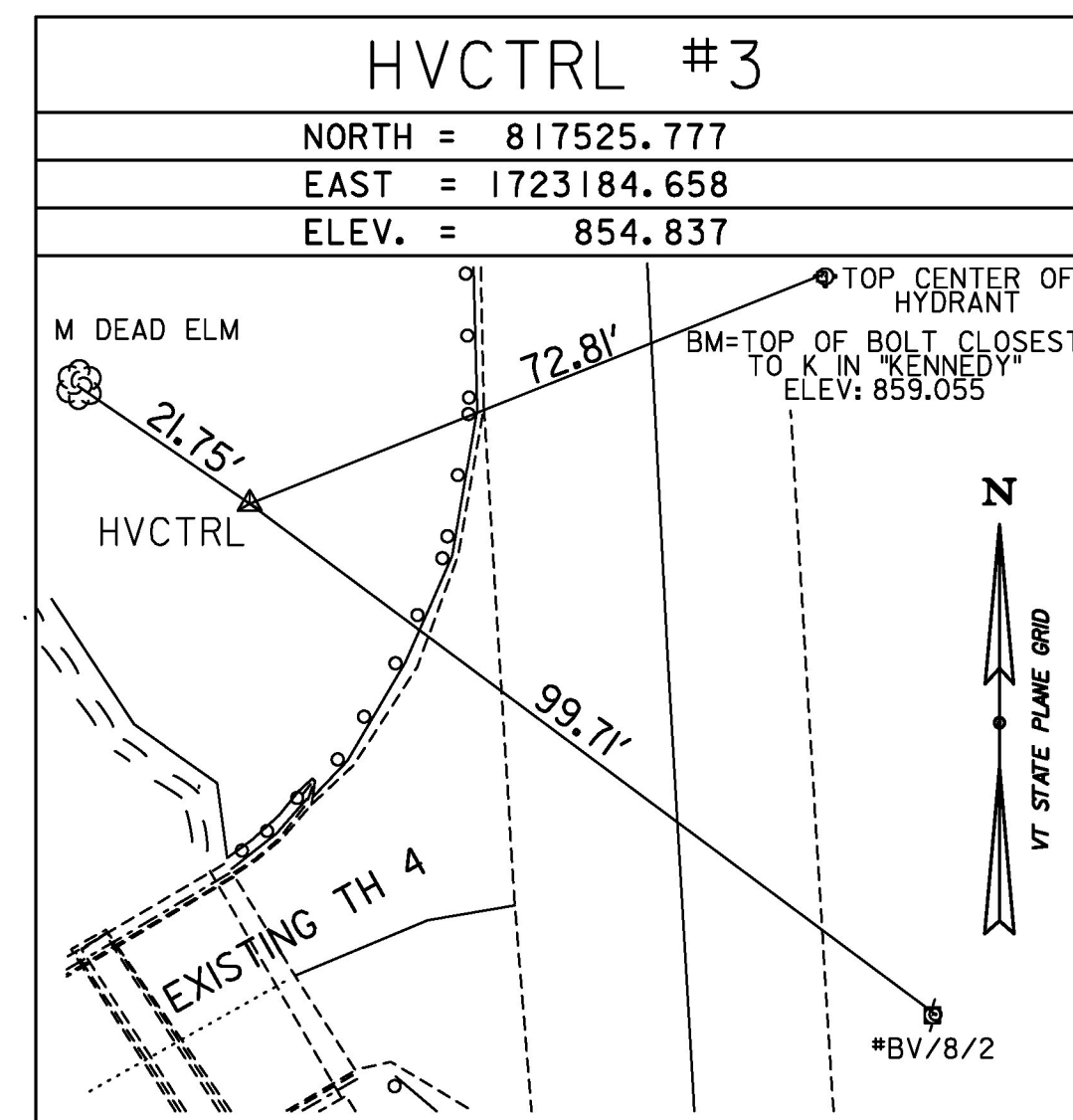
BARTON, VT. AT THE DISTRICT 9 BARTON GARAGE IN THE LAWN AREA NORTHEAST OF THE FUEL PUMP AND NORTHWEST OF THE GARAGE OFFICE. IT IS 29.8 M N OF THE WEST CORNER OF THE GARAGE, 20.4 M NW OF THE NORTH CORNER OF THE GARAGE, 24.9 M W OF A 10 CM DIAMETER VERTICAL METAL PIPE, 23.3 M NNE OF THE NORTH CORNER OF THE CONCRETE FUEL PUMP ISLAND BASE, 29.5 M E OF POLE NO 1, 20.4 M SW OF A R-O-W FENCE, AND 6.6 M SW OF A FIBERGLASS WITNESS AT AN ELECTRICAL RISER.

---HVCTRL #2---

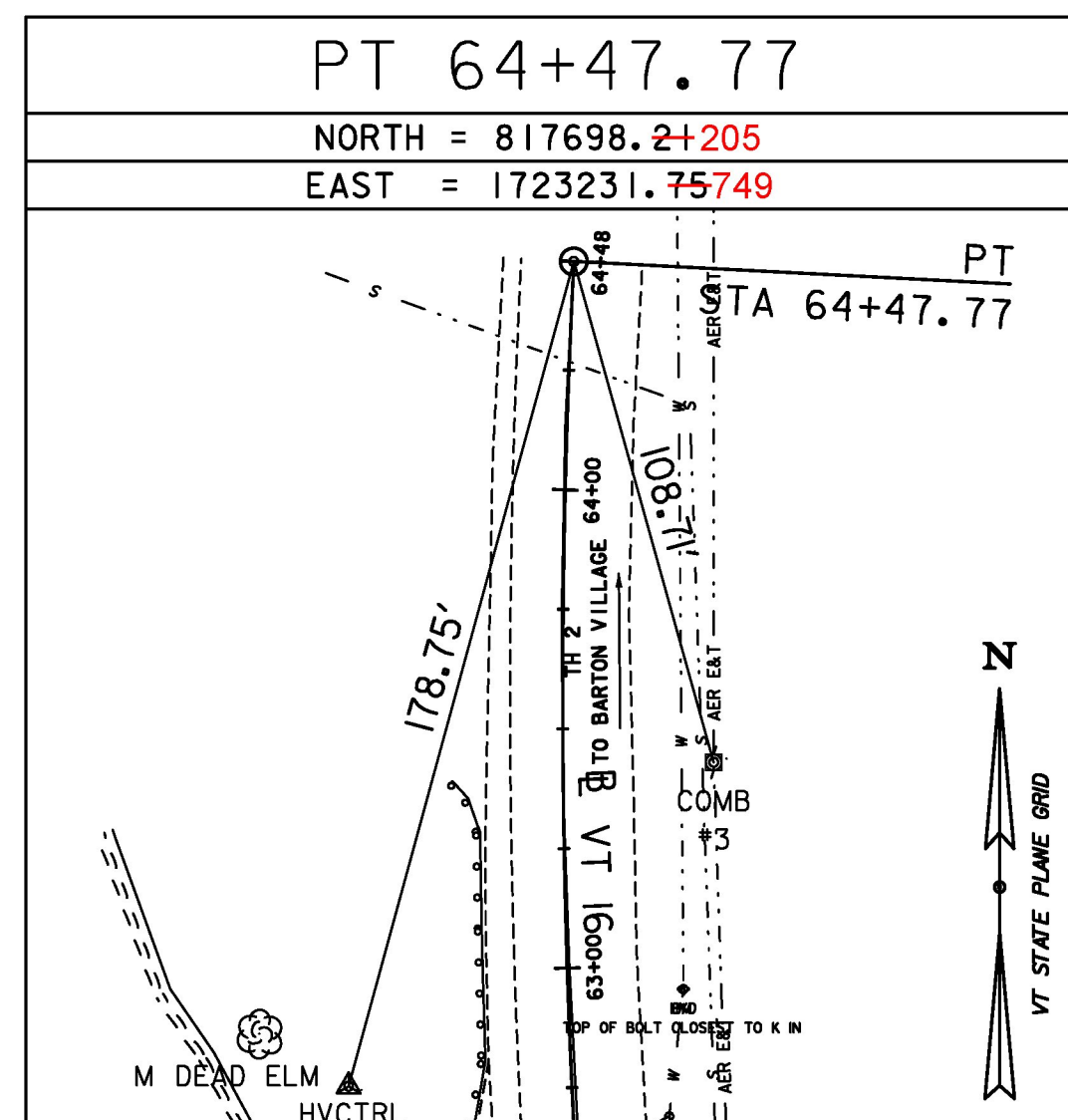
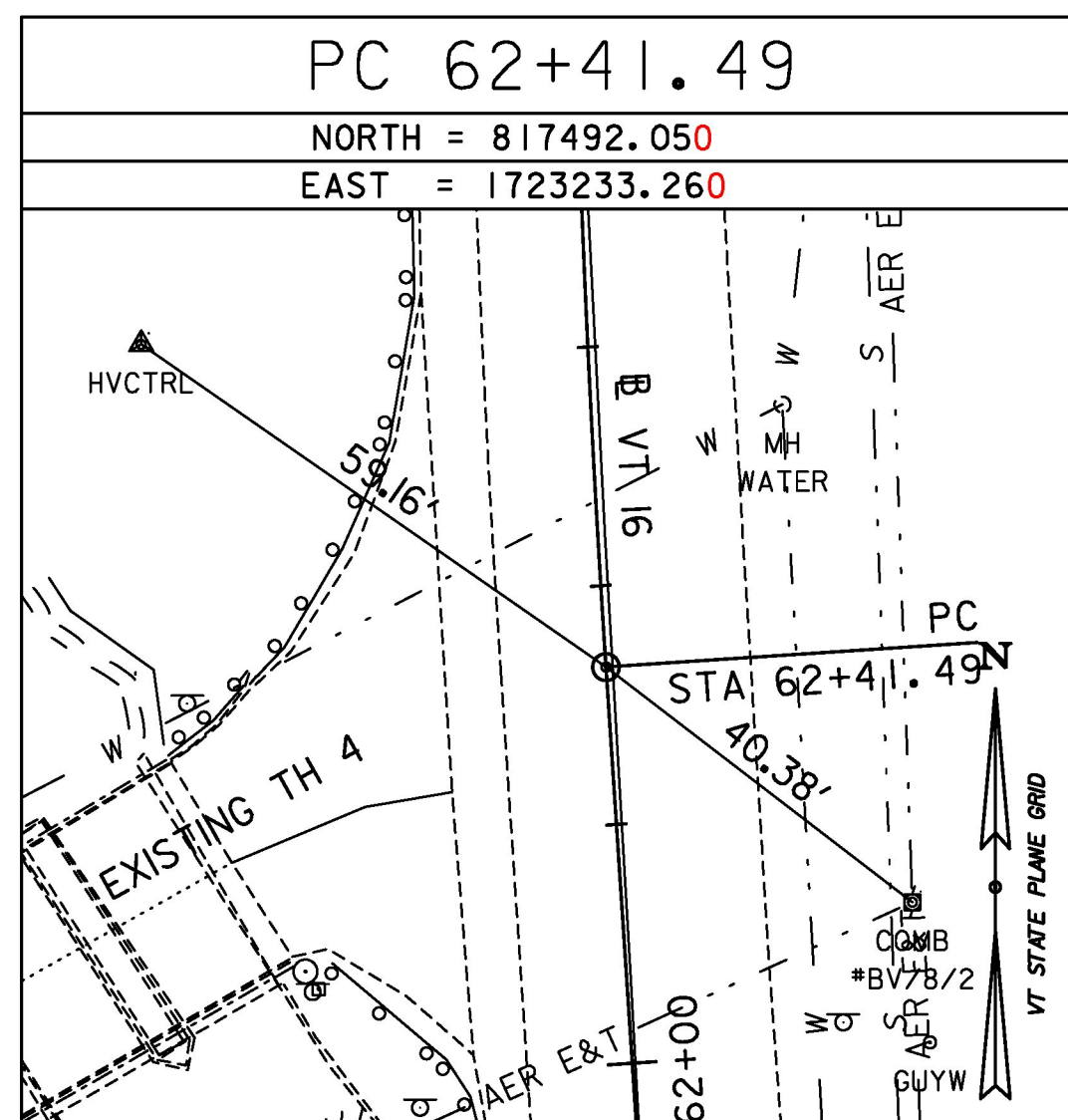
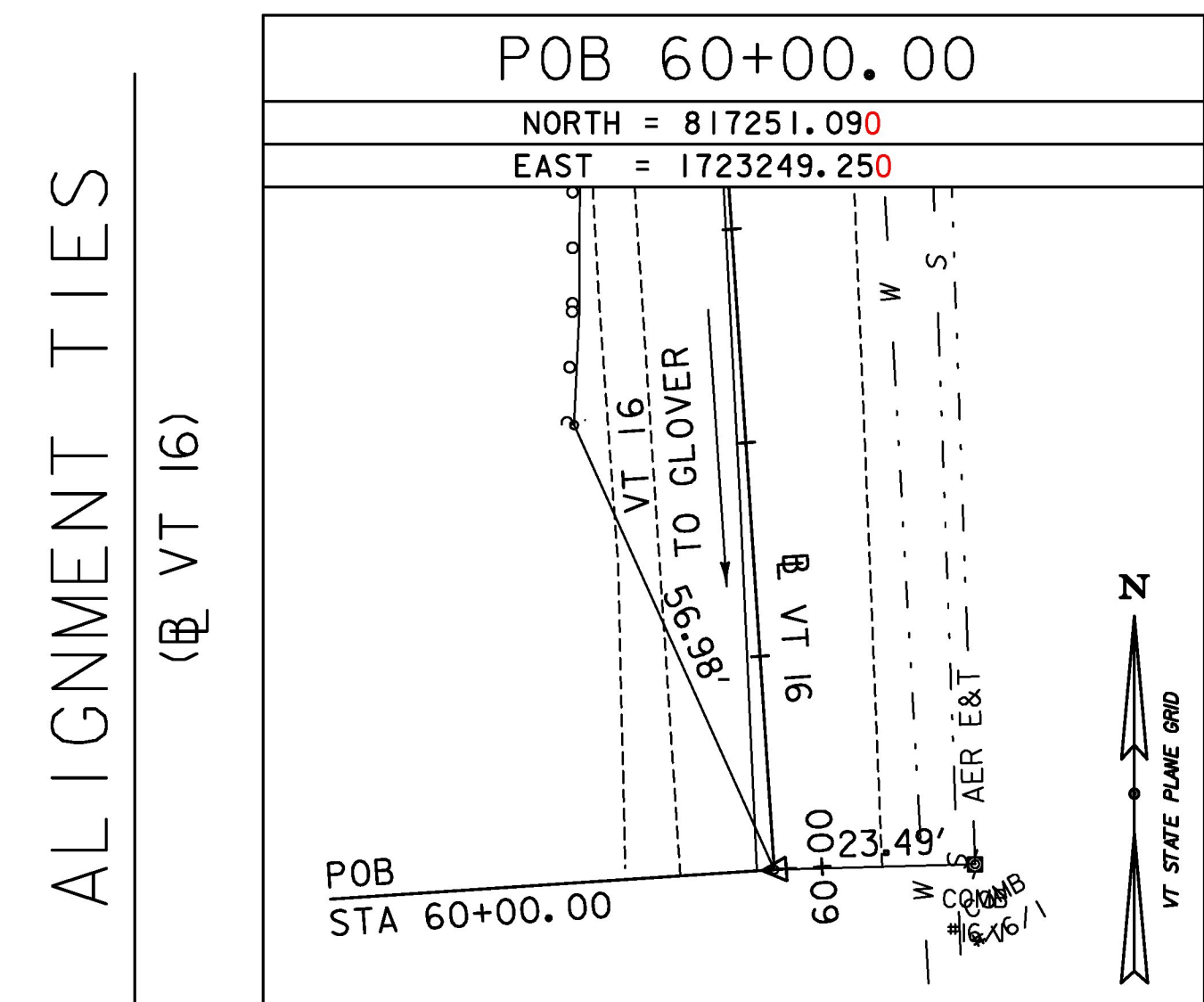
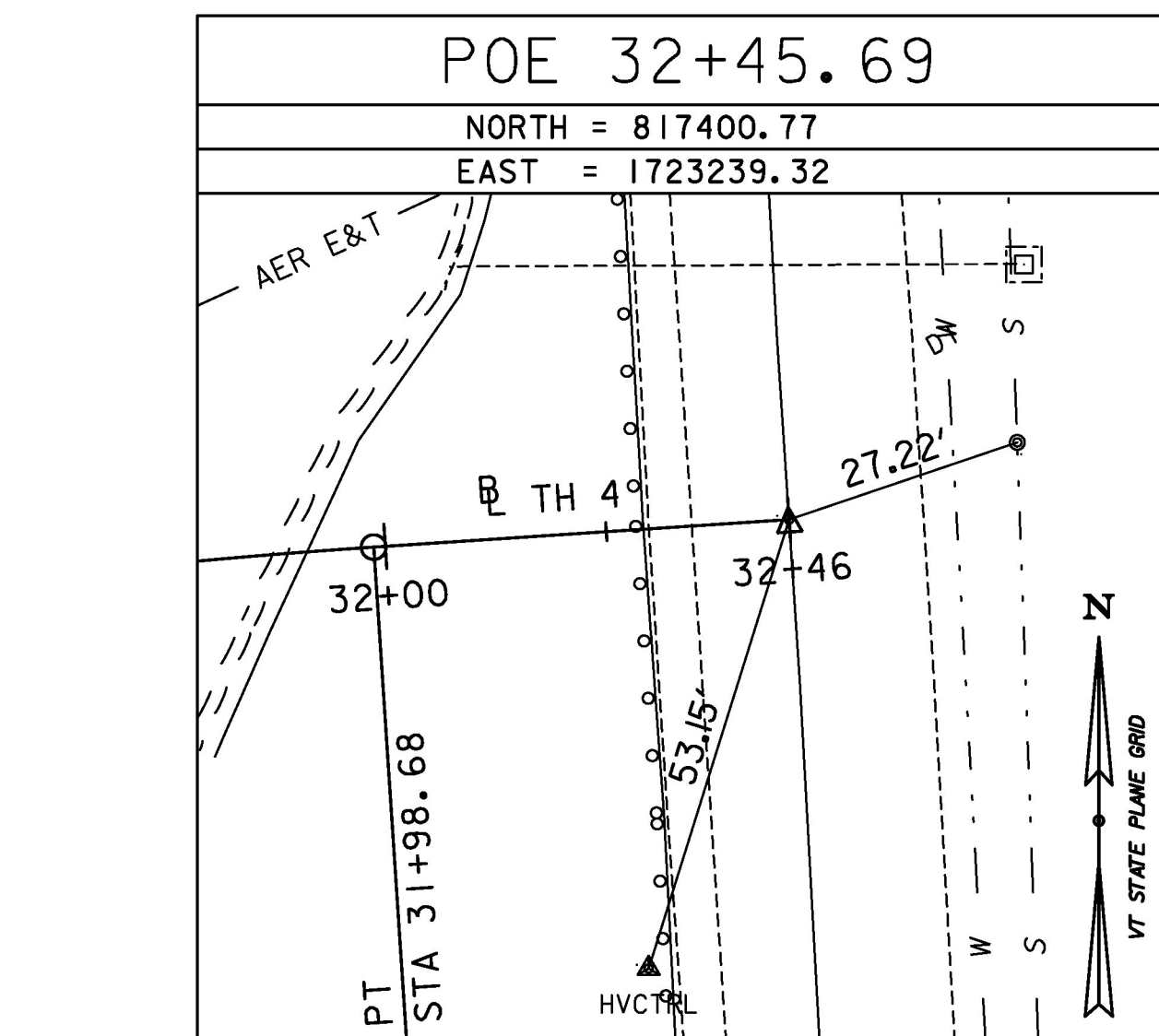
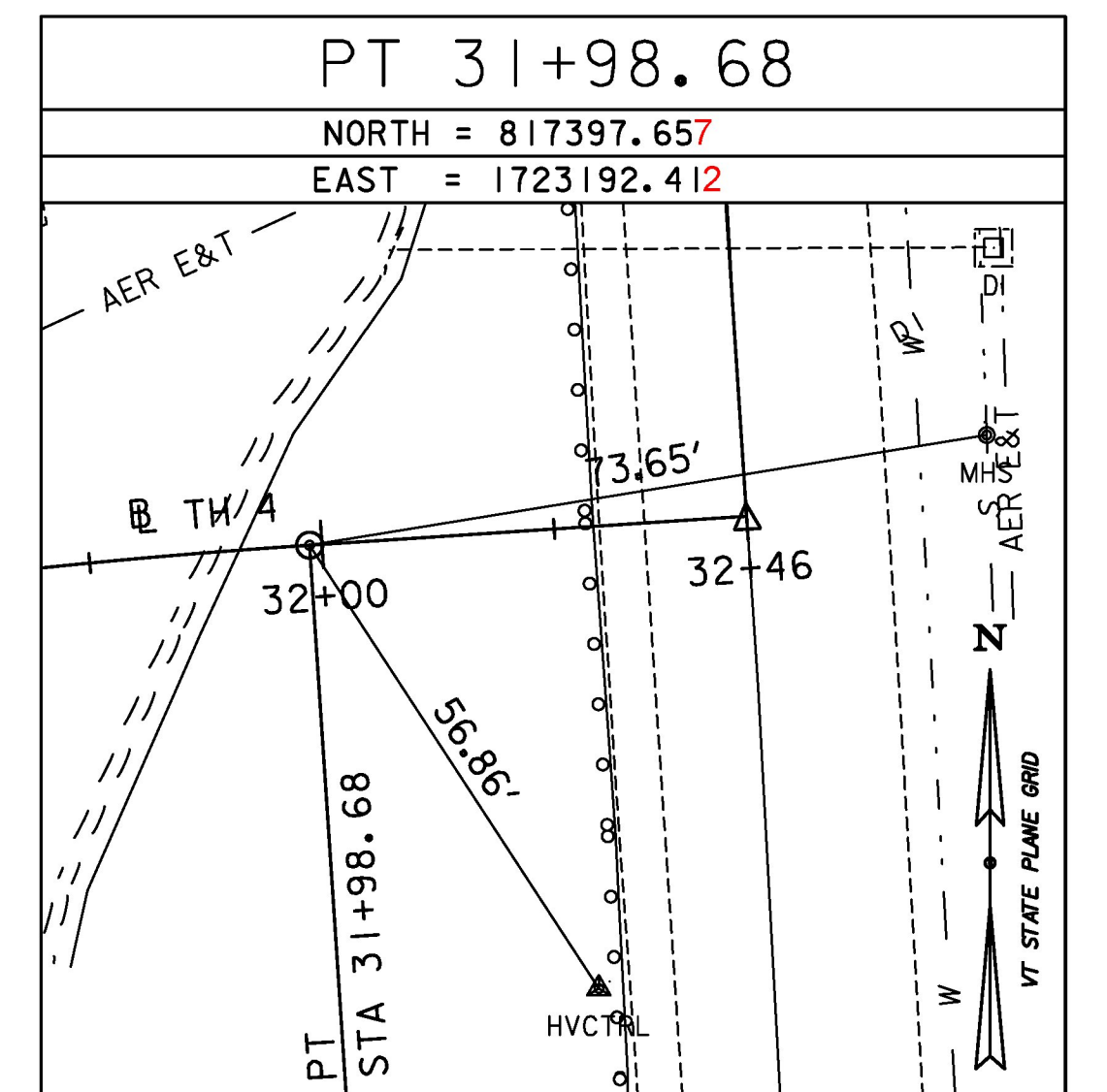
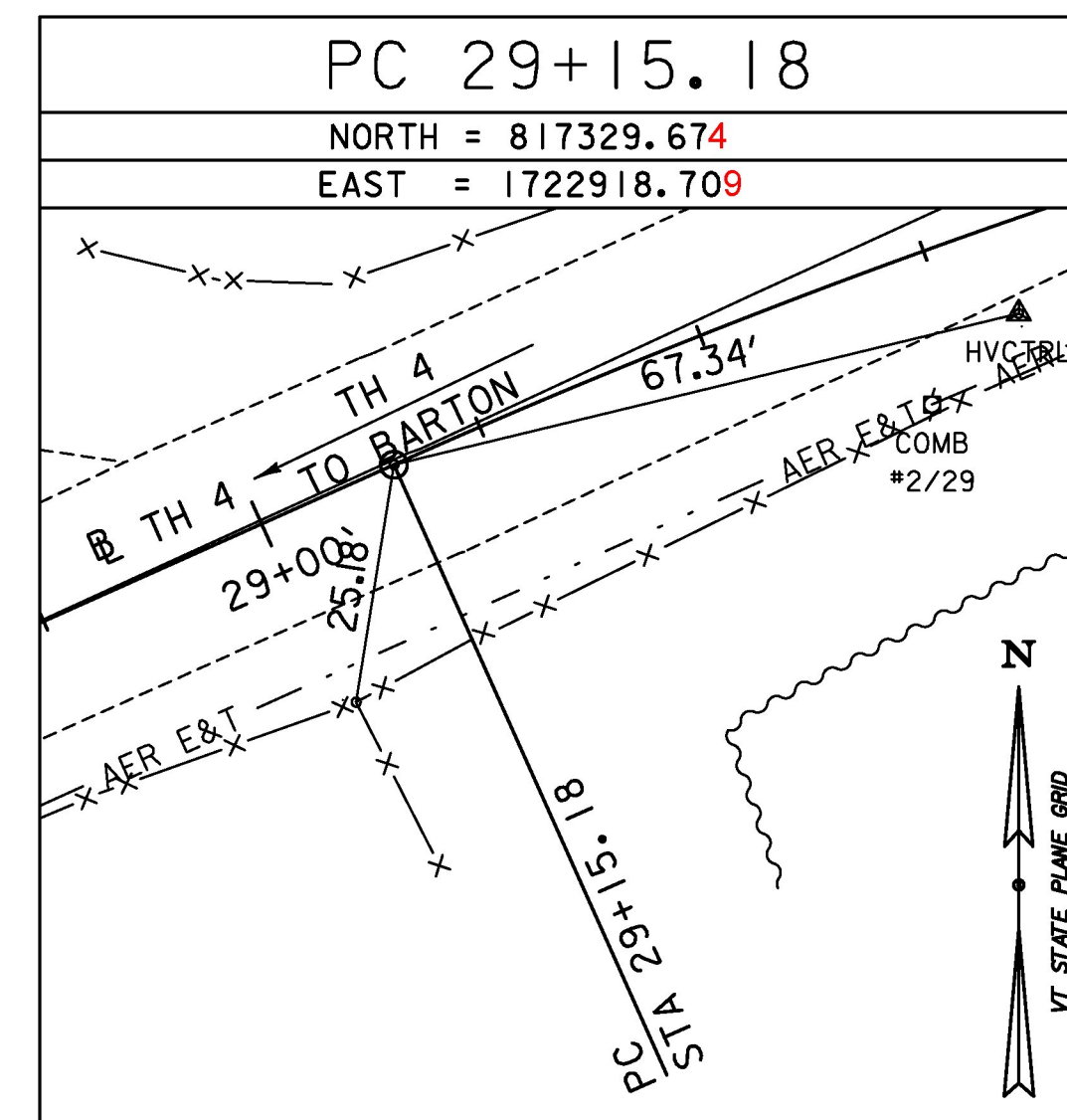
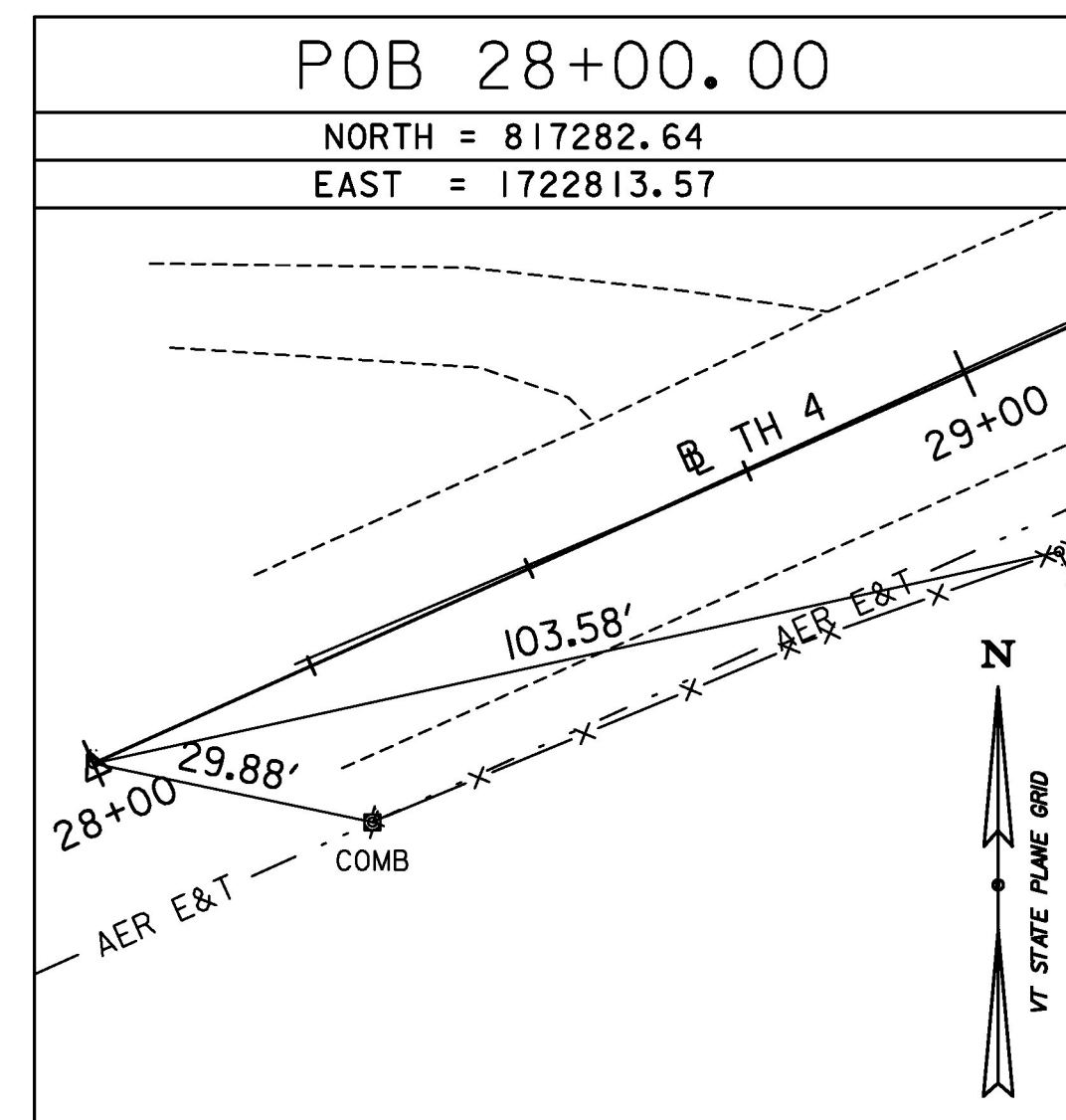
A06024
 NORTH = 817121.730
 EAST = 1723280.400
 ELEV. = 865.270

BARTON VT. ABOUT 120 M (393.7 FT) SOUTH OF THE VT ROUTE 16 INTERSECTION WITH ROARING BROOK ROAD, 10.9 M (35.8 FT) EAST OF AND ABOUT 1.0 M (3.3 FT) HIGHER THAN THE CL OF VT ROUTE 16, 39.6 M (129.9 FT) SOUTH OF POLE NO B/8/01, 24.6 M (80.7 FT) SOUTH WESTWEST OF THE MOST WESTERLY OF TWO POSTS FOR A WELCOME TO BARTON SIGN, 51.2 M (168.0 FT) NORTH OF THE NORTHWEST CORNER OF HOUSE NO 527, AND 1.5 M (4.9 FT) SOUTH OF A BARBED WIRE FENCE CORNER. NOTE, MARK IS INTERVISIBLE WITH MARK ASHTON AZIMUTH MK.

TRAVERSE TIES



ALIGNMENT TIES
 (B TH 4)



ALIGNMENT TIES
 (B VT 16)

DATUM	
VERTICAL	NAVD 88
HORIZONTAL	NAD 83(2011)
ADJUSTMENT	COMPASS

TYLIN INTERNATIONAL

PROJECT NAME: BARTON VILLAGE
 PROJECT NUMBER: BO 1449(33)

FILE NAME: z13j0781.dgn
 PROJECT LEADER: J. OLUND
 DESIGNED BY: B. TOOTHAKER
 TIE SHEET

PLOT DATE: 7/26/2016
 DRAWN BY: B. TOOTHAKER
 CHECKED BY: J. OLUND
 SHEET 17 OF 110