

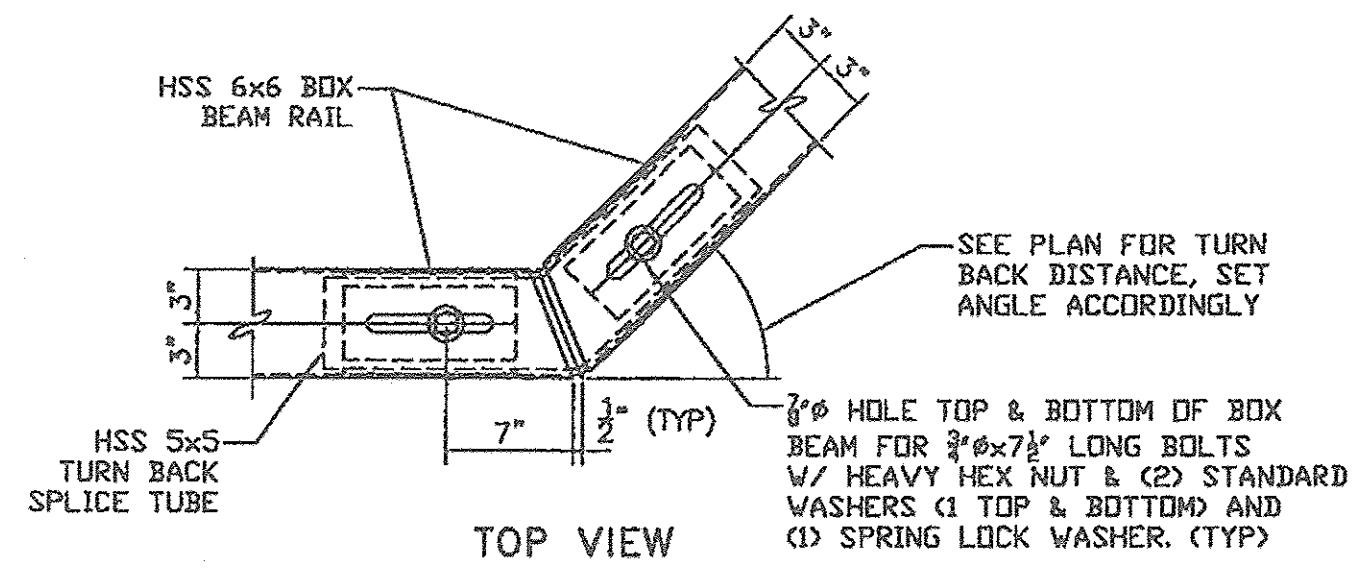
RECEIVED

ON: March 20, 2014

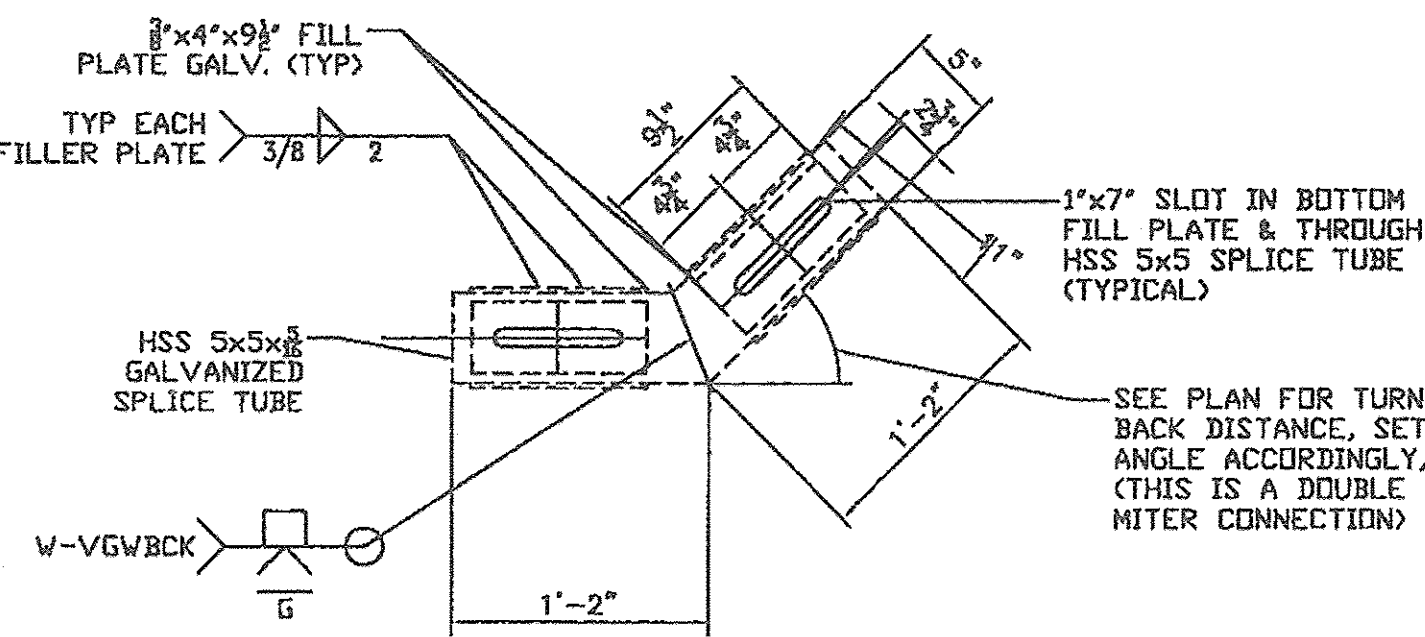
and Checked for

CONFORMANCE

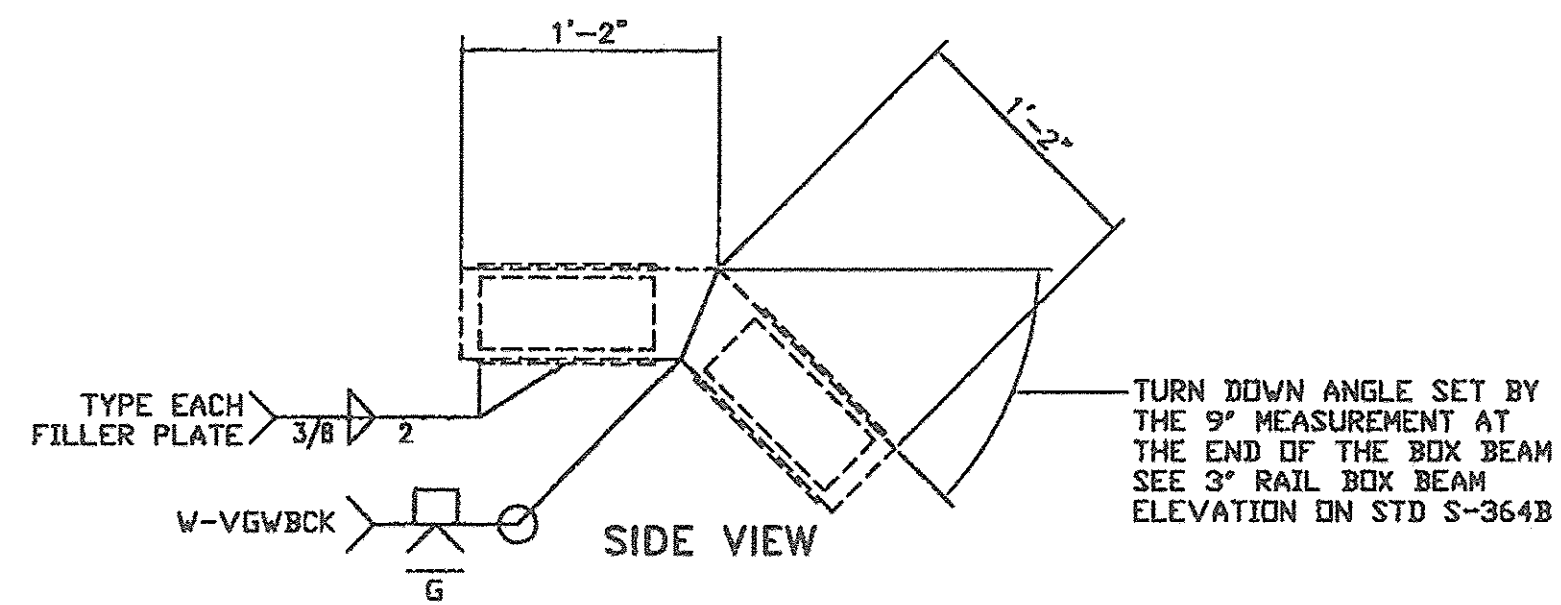
BY: Rob Young DATE: 03/26/2014



TURN BACK SPLICE TUBE ASSEMBLY

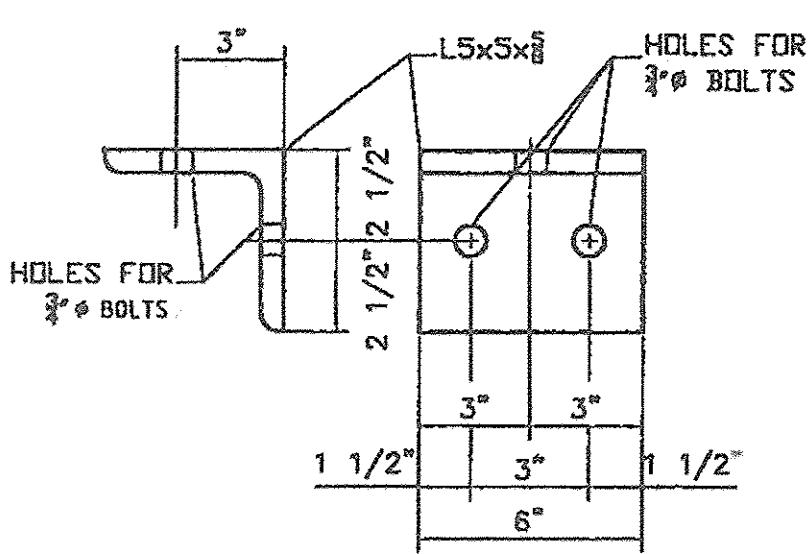


TOP VIEW

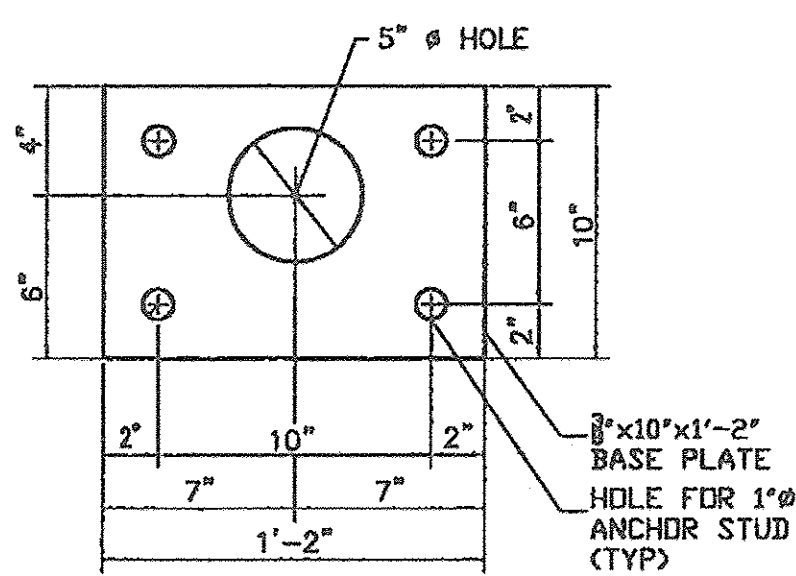


SIDE VIEW

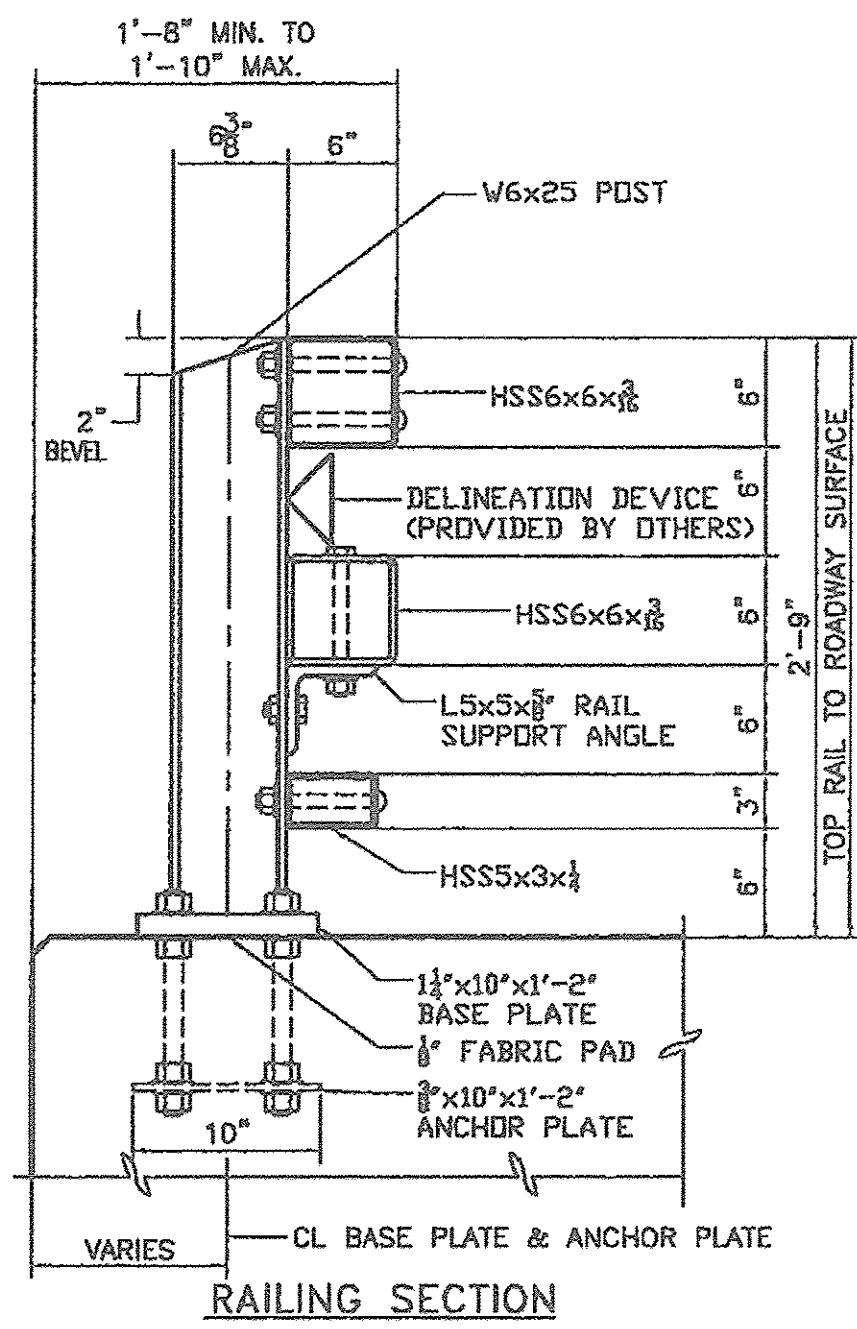
TURN BACK SPLICE TUBE DETAIL
TURN BACK & TURN TUBE JOINT



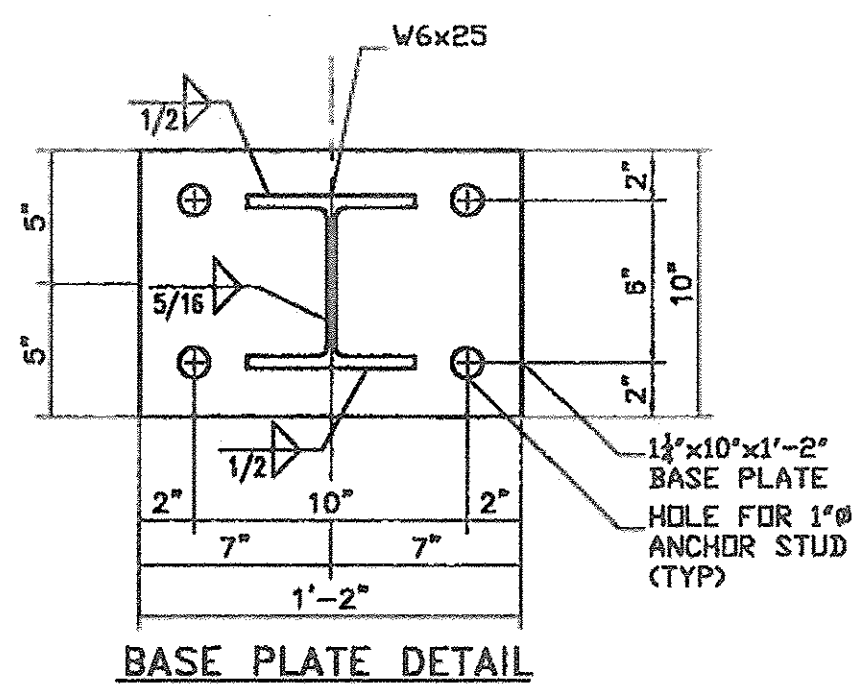
RAILING ANGLE DETAIL
L5 x 5 x 5/8



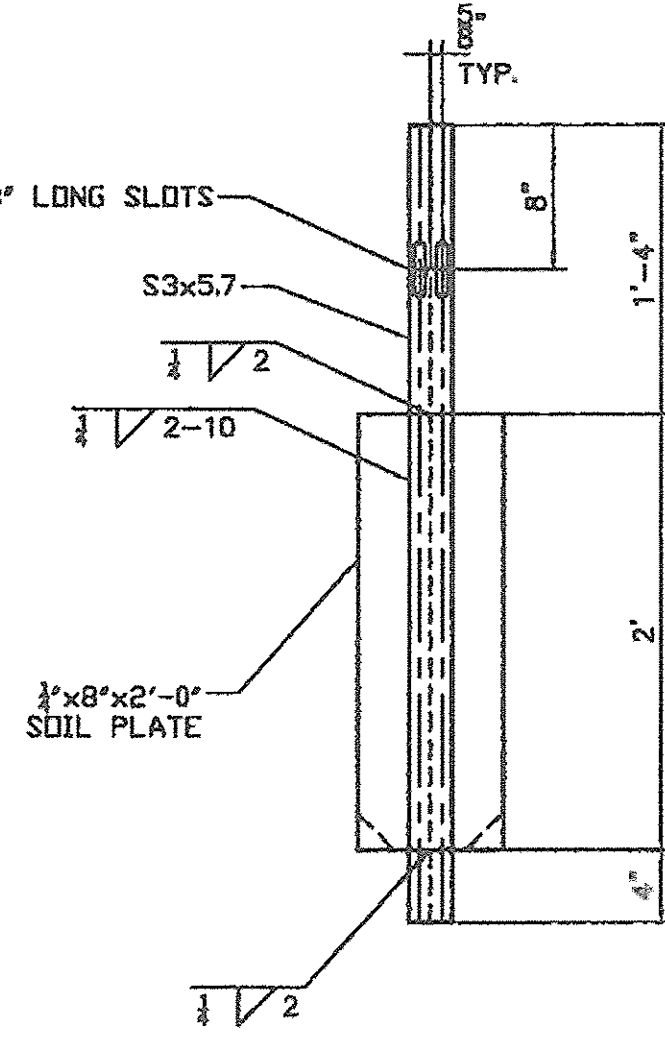
ANCHOR PLATE DETAIL



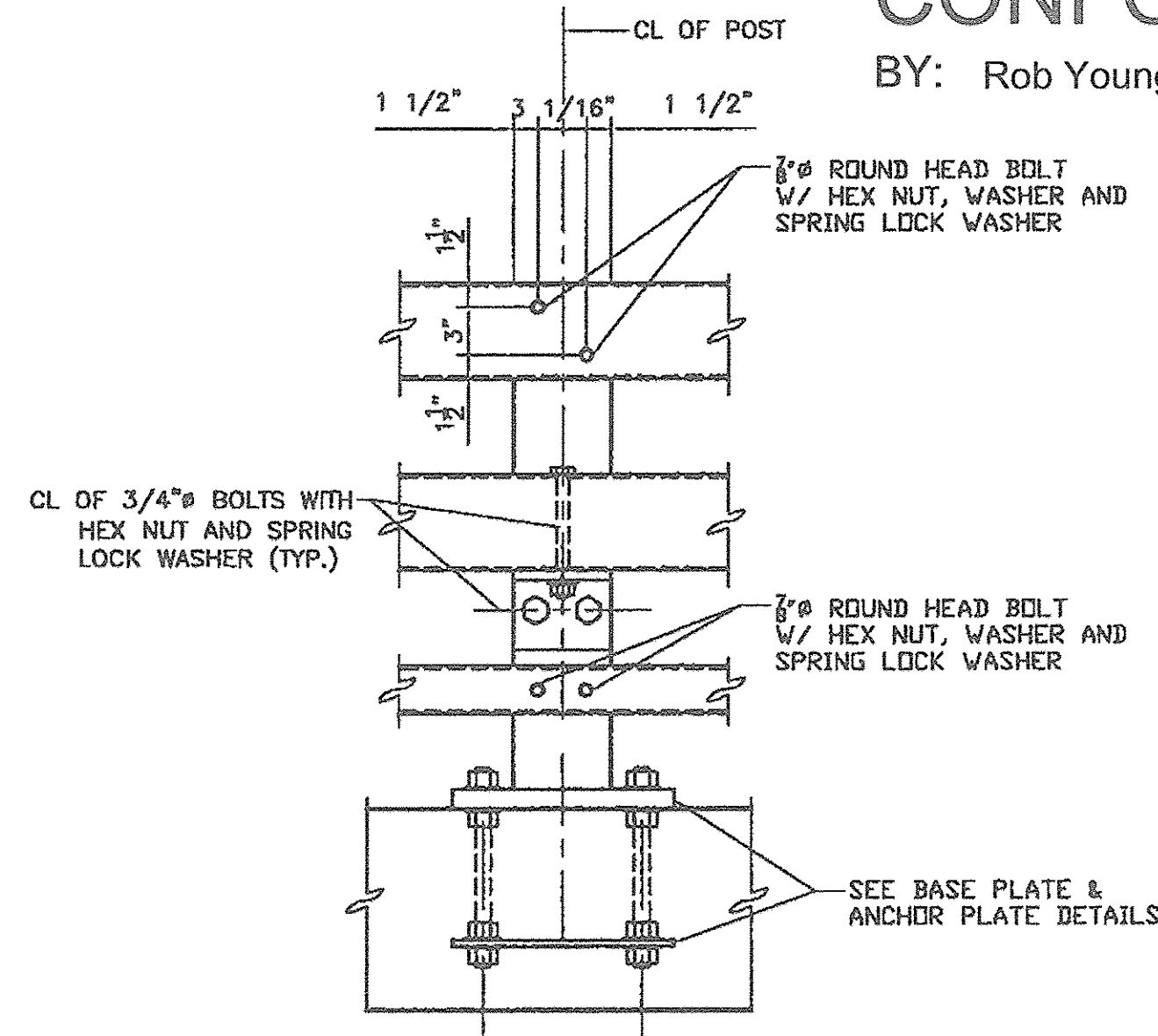
RAILING SECTION



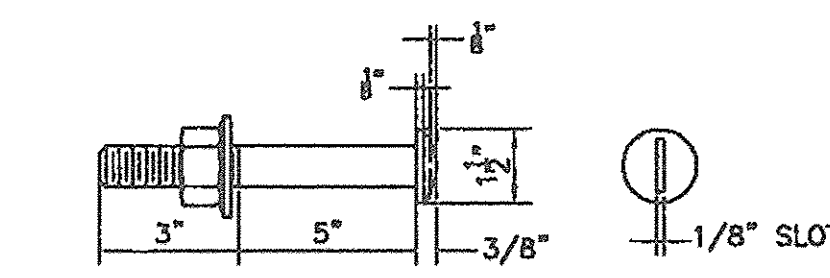
BASE PLATE DETAIL



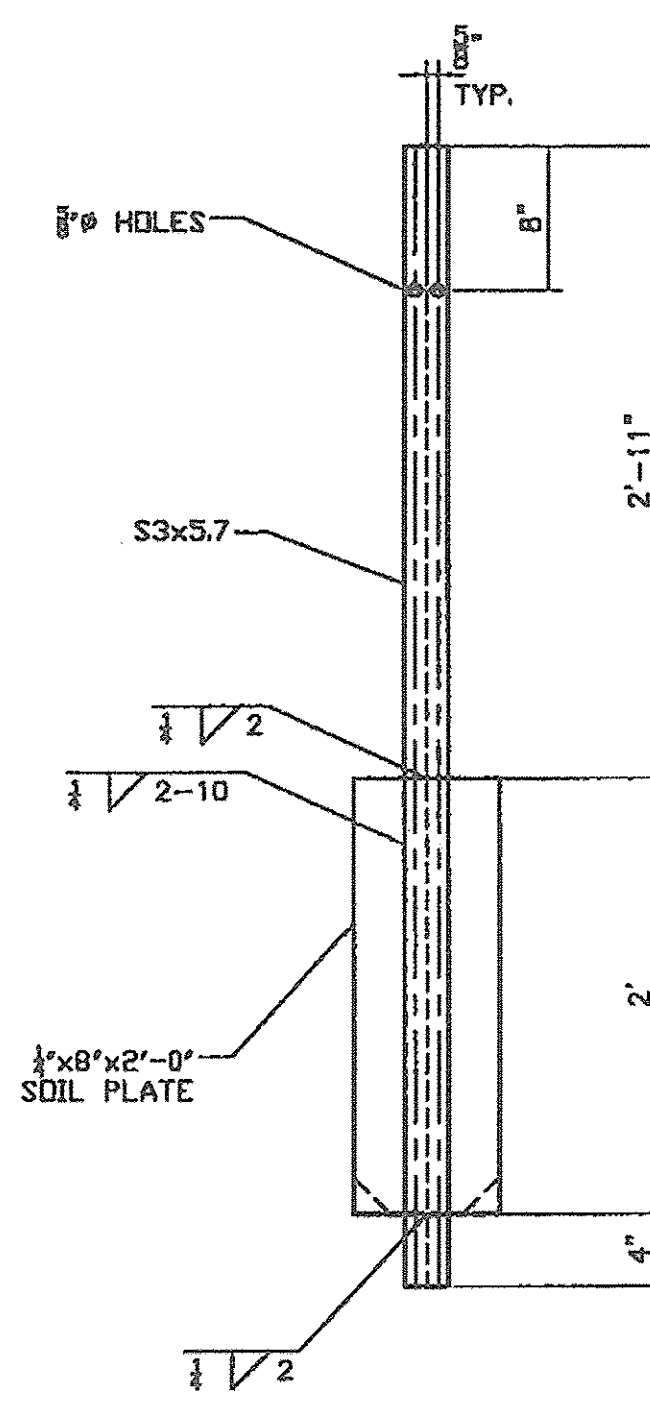
TRANSITION POST DETAIL 3'-8"



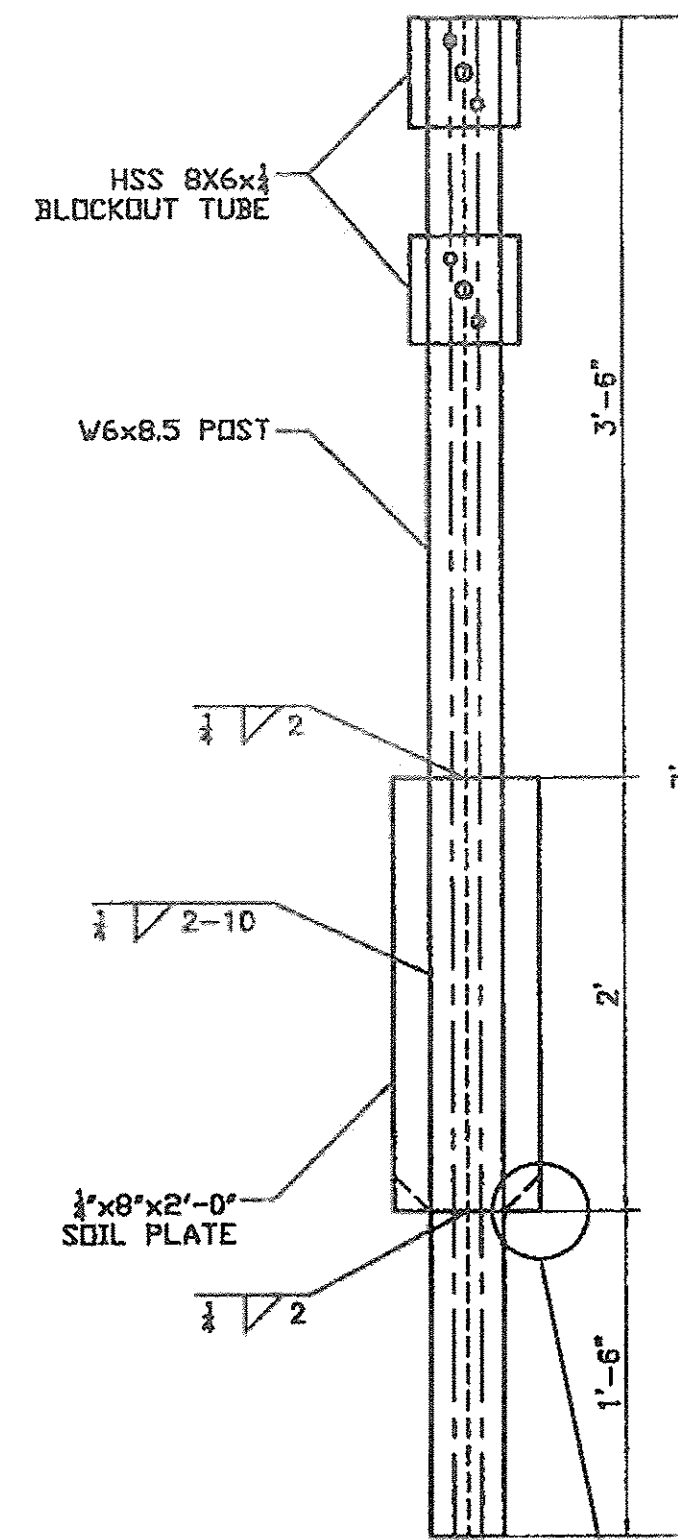
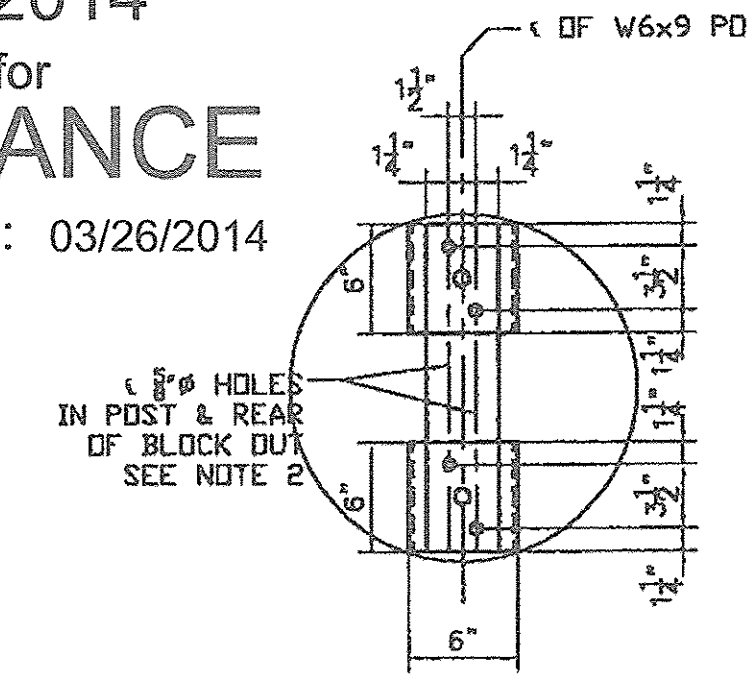
RAILING ELEVATION



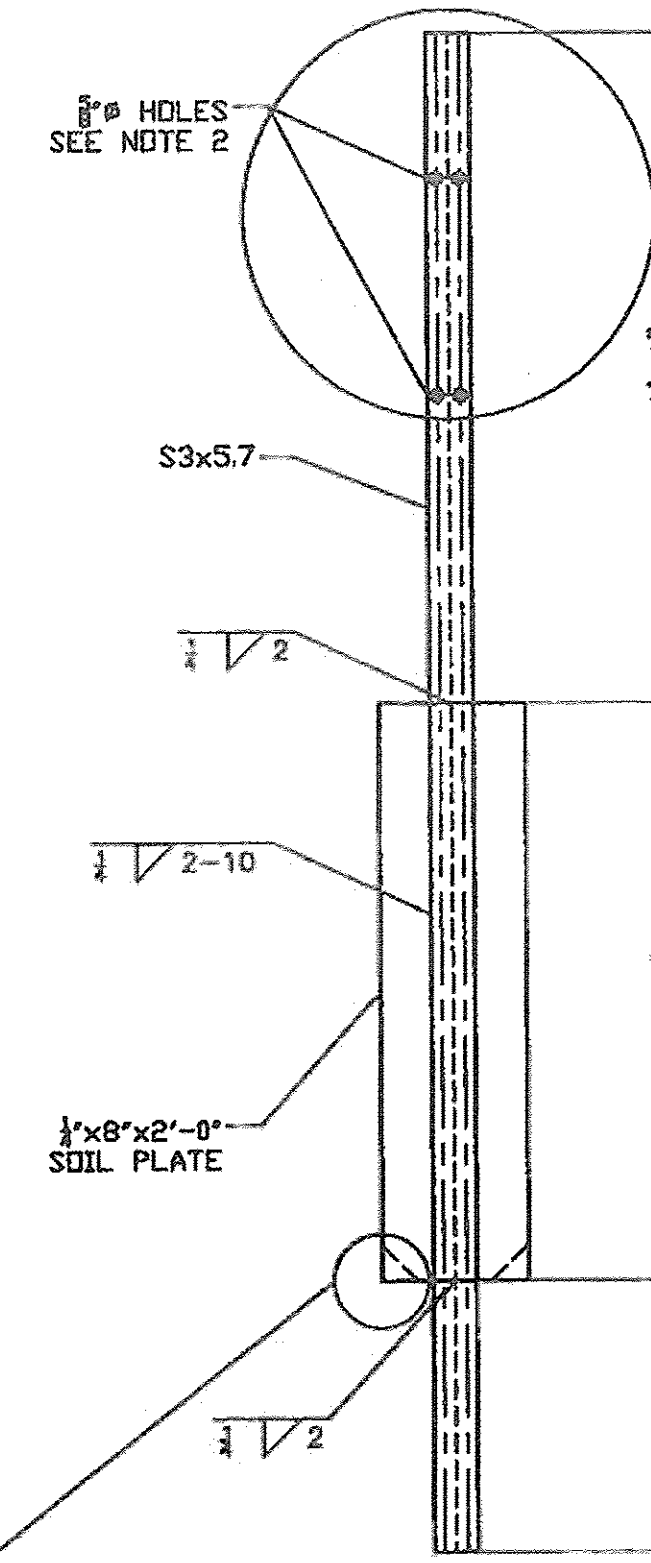
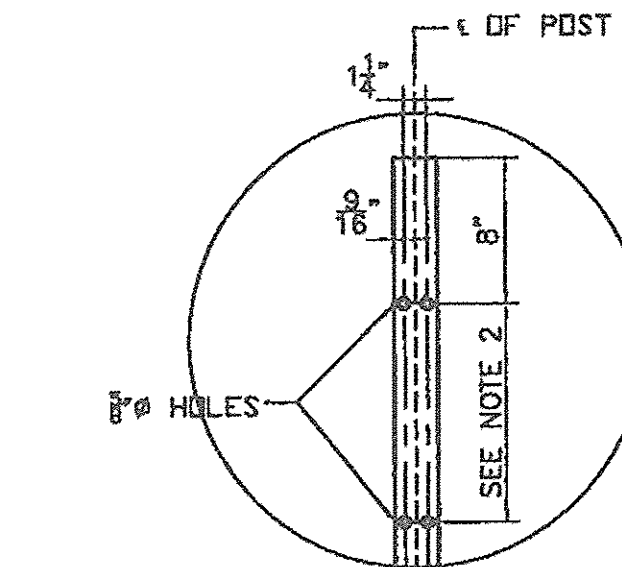
ROUND HEAD BOLT DETAIL



TRANSITION POST DETAIL 5'-3"



HEAVY POST DETAIL



TRANSITION POST DETAIL 7'-0"

SHOP DRAWINGS ARE FOR REVIEW UNLESS NOTED OTHERWISE	NO EXCEPTION TAKEN
REVISE AS NOTED	REVISION REQUIRED
REVISION NOT REQUIRED	REVISION REQUIRED
REJECTED	REVISION REQUIRED
SEE ALL NOTES ON SHEET	
5 OF 6 FOR ADDITIONAL INFORMATION	
DATE	3/26/2014

SIGNATURE: *Jim Hooper*
 REVIEW BY: (blank)
 REVIEW FOR: THE SOLE PURPOSE OF ASCERTAINING GENERAL CONFORMITY WITH DESIGN CONTRACTOR IS RESPONSIBLE FOR DESIGN, SPECIFICATION AND CONSTRUCTION METHODS. COORDINATION OF SUB-TRADE DETAIL DESIGN OF COMPONENTS AND ERRO...
 CR ONSIONS ON S... (blank)

HIGHWAY SAFETY CORP
 GLASTONBURY, CT
 860-633-9445

BRIDGE RAIL DETAILS 525.335 & 621.725
 TOWN OF ENOSBURG, COUNTY OF FRANKLIN
 BOSTON POST ROAD T.H.2 CLASS 2
 BRIDGE NO. 48
 PROJECT NO. BRO 1448 (40)

CERTIFIED FABRICATOR

HSC JOB NO. 1976
 SHEET NO. 6 of 6

DATE: 3-4-14
 CHECKED: BJB
 SCALE: NONE
 SIZE: D