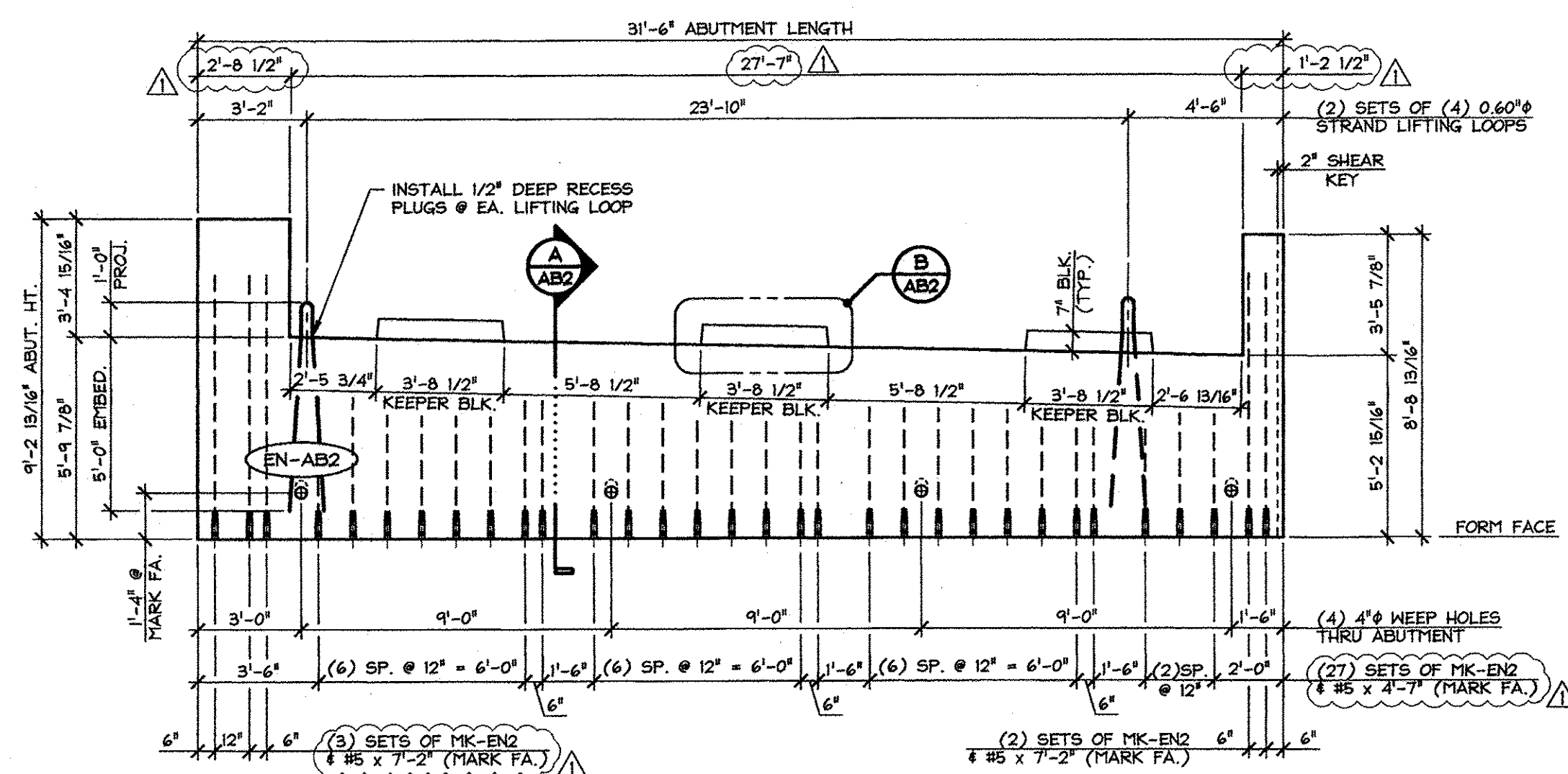
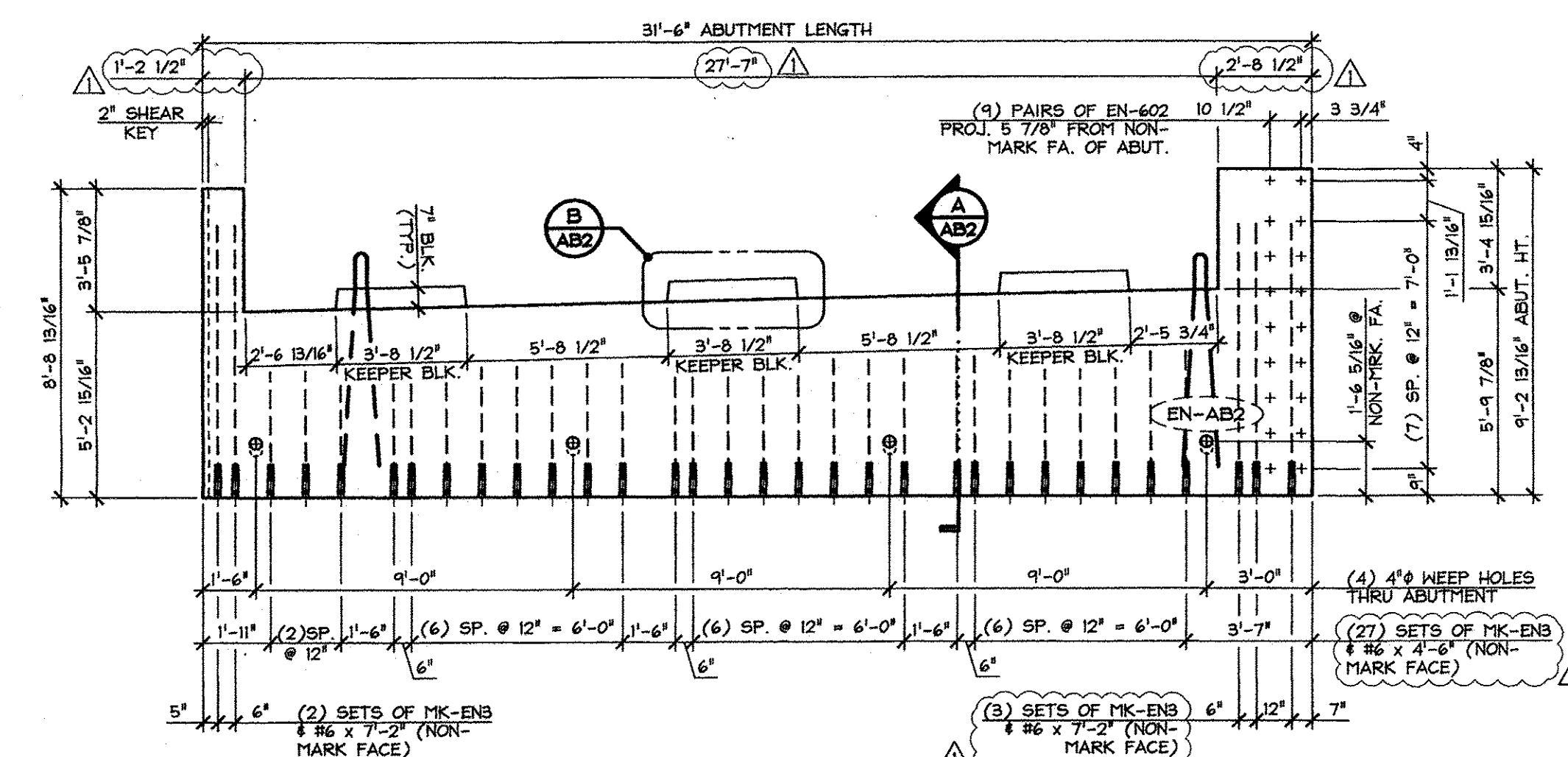


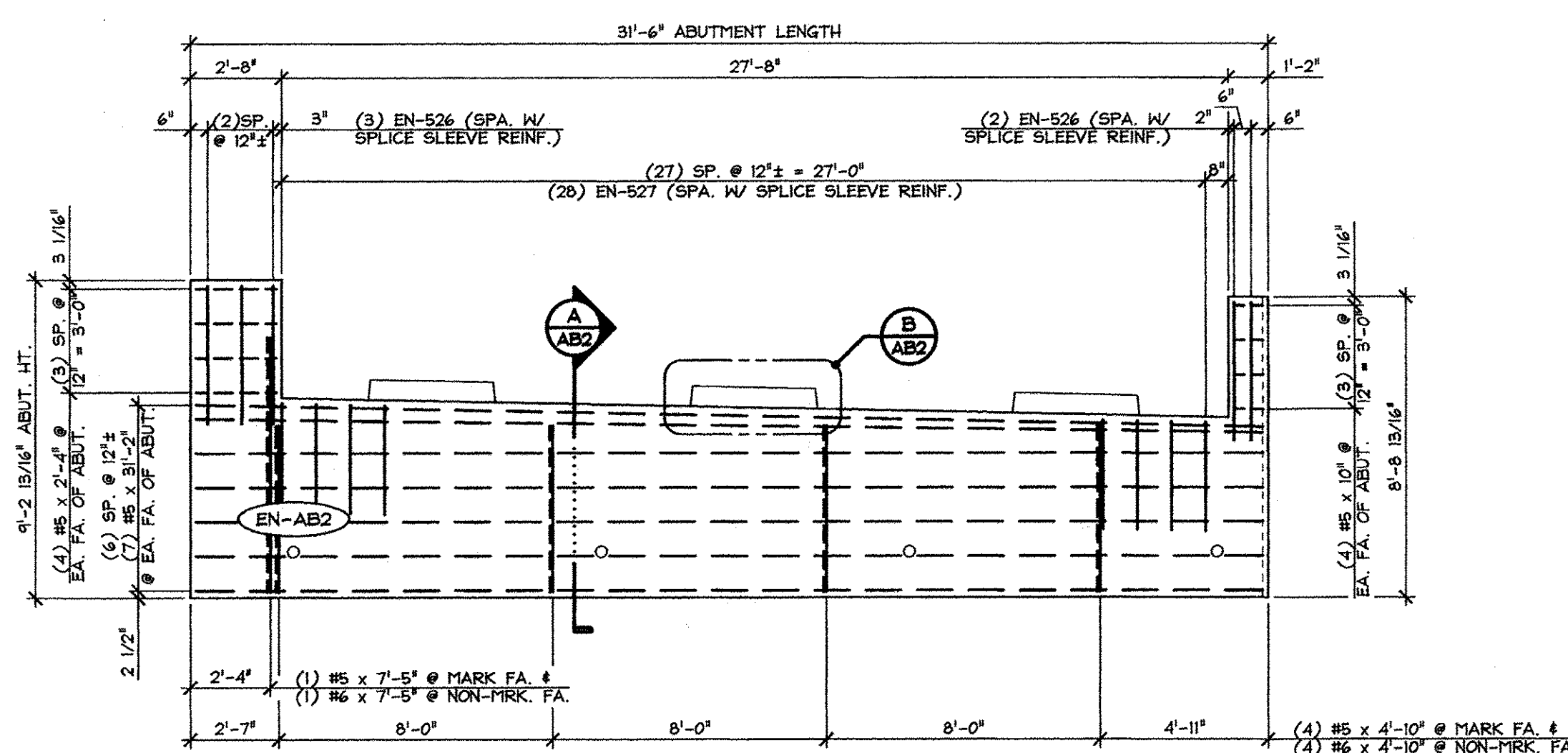
1 DIMENSIONAL PLAN VIEW IN FORM
AB2
1/4" = 1'-0"



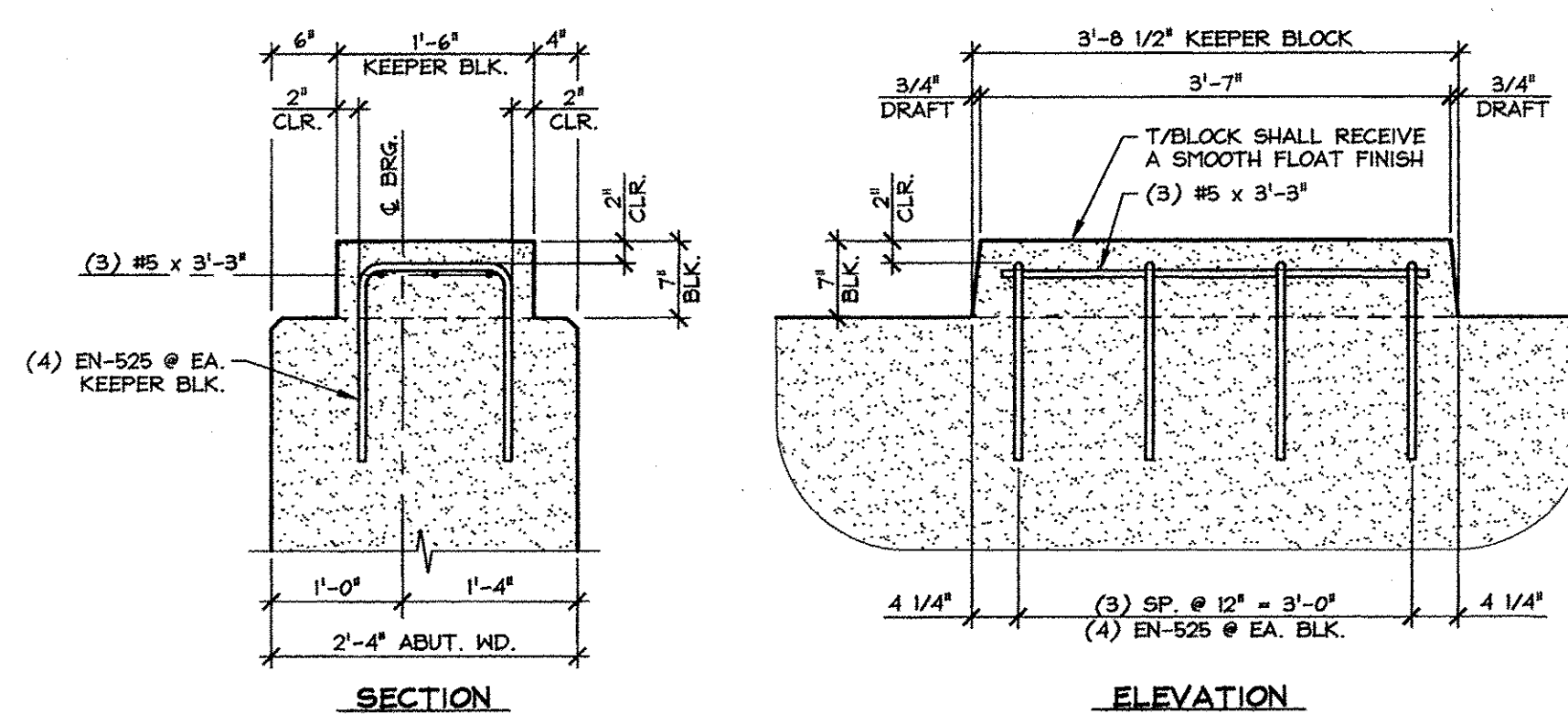
2 DIMENSIONAL ELEVATION (MARK FACE)
AB2
1/4" = 1'-0"



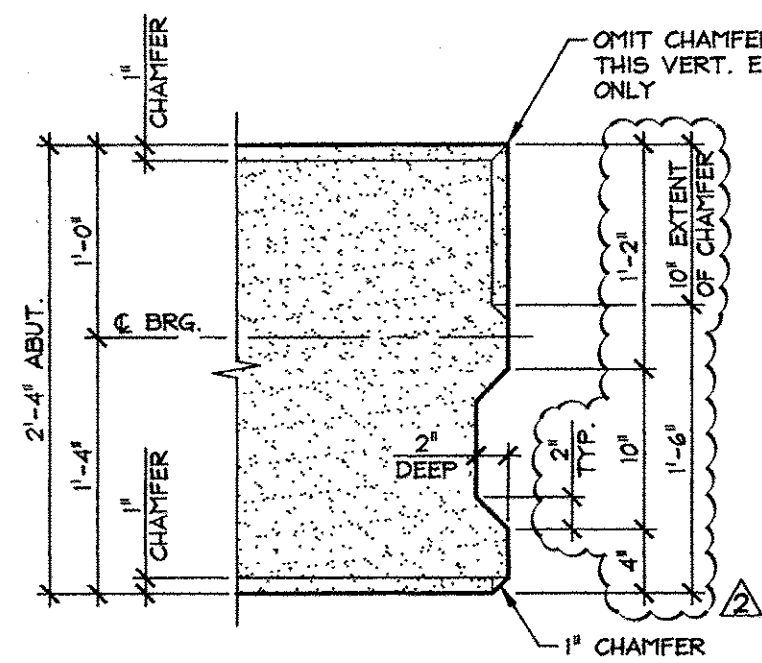
3 DIMENSIONAL ELEVATION (NON-MARK FACE)
AB2
1/4" = 1'-0"



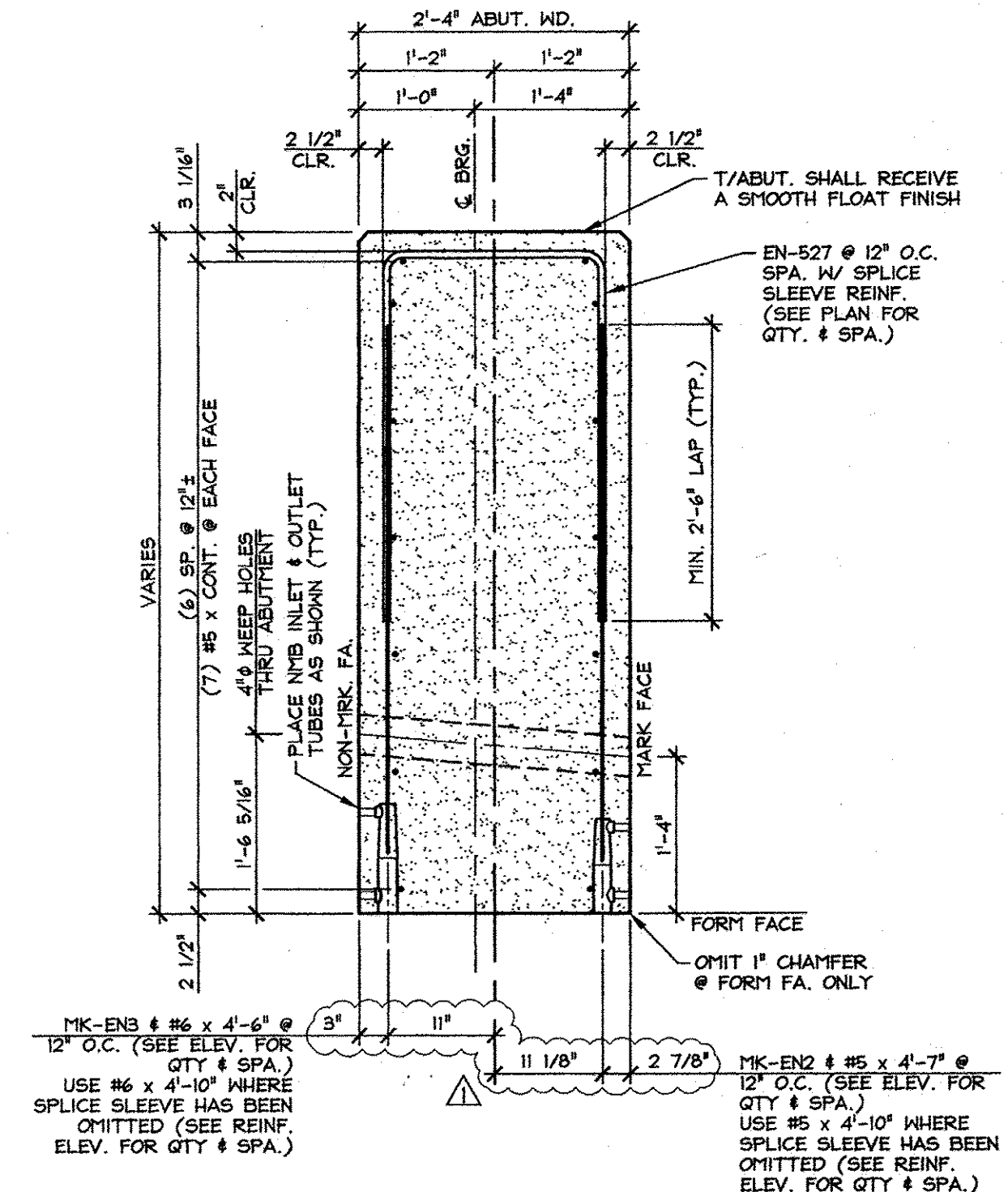
4 REINFORCING ELEVATION
AB2
1/4" = 1'-0"



B KEEPER BLOCK DETAILS
AB2
3/4" = 1'-0"



C SHEAR KEY PLAN
AB2
1" = 1'-0"



A ABUTMENT SECTION
AB2
3/4" = 1'-0"

SHOP NOTE:
F_c = 5,000 PSI
F_{st} = 4,000 PSI
MK = #4MSCC

SHOP NOTE:
ALL EDGES OF ABUTMENT SHALL RECEIVE A 1" CHAMFER (U.N.O.)

Vermont Agency of Transportation
RECEIVED
ON: April 28, 2014
and Checked for
CONFORMANCE
BY: Rob Young DATE: 05/01/2014

APPROVED: Approval of drawings and/or procedures indicates concurrence with the information presented and does not relieve the Contractor or Fabricator of compliance with all specifications and code requirements

APPROVED AS NOTED
REVISE AND RESUBMIT
NOT REVIEWED

Date: 4-29-2014
By: *Janet Hyslop*

This review by Stantec Consulting Services Inc. is for the sole purpose of ascertaining conformance with the general design concept. This review shall not mean that Stantec Consulting Services Inc. approves the detail design inherent in the shop drawings, responsibility for which shall remain with the Contractor. Submitting same, and such review shall not relieve the Contractor of his responsibility for errors or omissions in the shop drawing or of his responsibility for meeting all requirements of the Contract Documents. The contractor is responsible for dimensions to be confirmed and correlated at the job site, for information that pertains solely to the fabrication processes or to techniques of construction and installation and for coordination of the work of all subtrades.

4-28-14 REVISED AS NOTED
4-7-14 REVISED AS NOTED

MARK: EN-AB2 QTY.: 1 WT.: 33.53 T VOL.: 16.56 cy

MATERIAL LIST / ABUTMENT			
ITEM	MARK	DESCRIPTION	QTY.
1	EN-525	#5 BENT BAR (LEVEL I, BLACK STEEL)	12
2	EN-526	#5 BENT BAR (LEVEL I, BLACK STEEL)	5
3	EN-527	#5 BENT BAR (LEVEL I, BLACK STEEL)	26
4		#5 x 3'-3" (LEVEL I, BLACK STEEL)	9
5		#5 x 4'-7" (LEVEL I, BLACK STEEL)	27
6		#5 x 4'-10" (LEVEL I, BLACK STEEL)	4
7		#5 x 7'-2" (LEVEL I, BLACK STEEL)	5
8		#5 x 3i'-2" (LEVEL I, BLACK STEEL)	14
9		#5 x 2'-4" (LEVEL I, BLACK STEEL)	6
10		#5 x 7'-5" (LEVEL I, BLACK STEEL)	1
11		#5 x 10" (LEVEL I, BLACK STEEL)	8
12			
13	EN-602	#6 BENT BAR (LEVEL I, BLACK STEEL)	18
14		#6 x 4'-6" (LEVEL I, BLACK STEEL)	27
15		#6 x 4'-10" (LEVEL I, BLACK STEEL)	4
16		#6 x 7'-2" (LEVEL I, BLACK STEEL)	5
17		#6 x 7'-5" (LEVEL I, BLACK STEEL)	1
18			
19			
20			
21	MK-EN2	N#B SPLICE SLEEVE 5U-X(PG) (BLACK STEEL)	32
22	MK-EN5	N#B SPLICE SLEEVE 6U-X(PG) (BLACK STEEL)	32
23		SET OF (4) 0.60" STRAND LIFTING LOOPS	2
24			
25			

APPROVAL STAMP:

J.P. CARRARA & SONS INC. A.L. St. ONGE CONTRACTOR, INC.
Precast & Prestress Manufacturer CONTRACTOR
2644 OISE ST., MIDDLEBURY, VERMONT 05753 Phone:(802)388-6361 Fax:(802)388-9010 MONTGOMERY CENTER, VERMONT

STATE OF VERMONT AGENCY OF TRANSPORTATION DATE: JAN. 27, 2014
COUNTY OF FRANKLIN SCALE: NOTED

TOWN OF ENOSBURG CHKD: M.W. DFTM: B.L.
BOSTON POST ROAD T.H.2 CLASS 2
BRIDGE NO.: 48 PROJECT NO.: BRO 1448(40) JOB NO: 23418-015

PRECAST ABUTMENT DETAILS DWG. NO: AB2