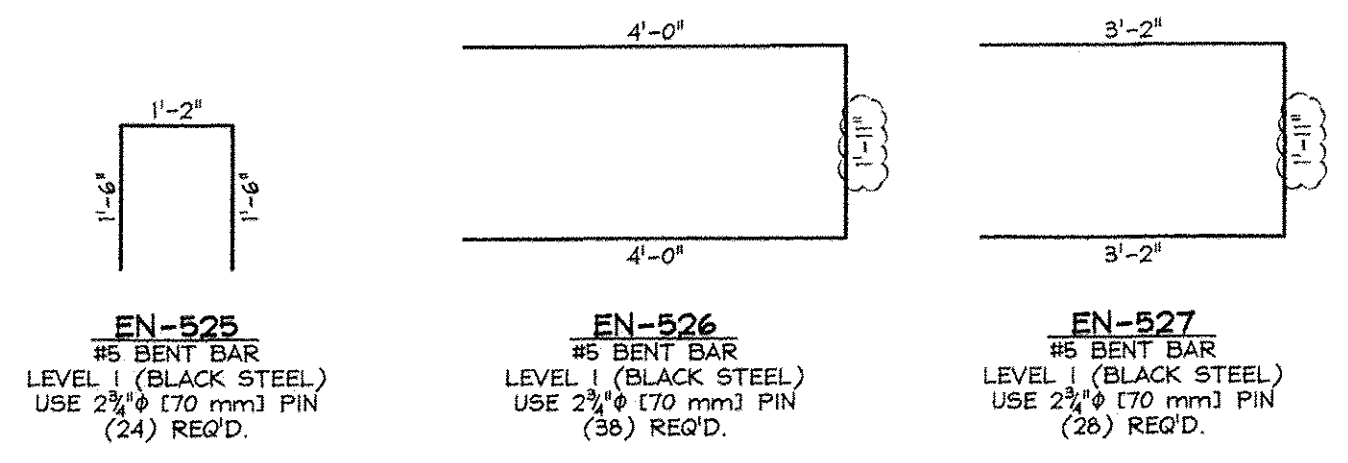


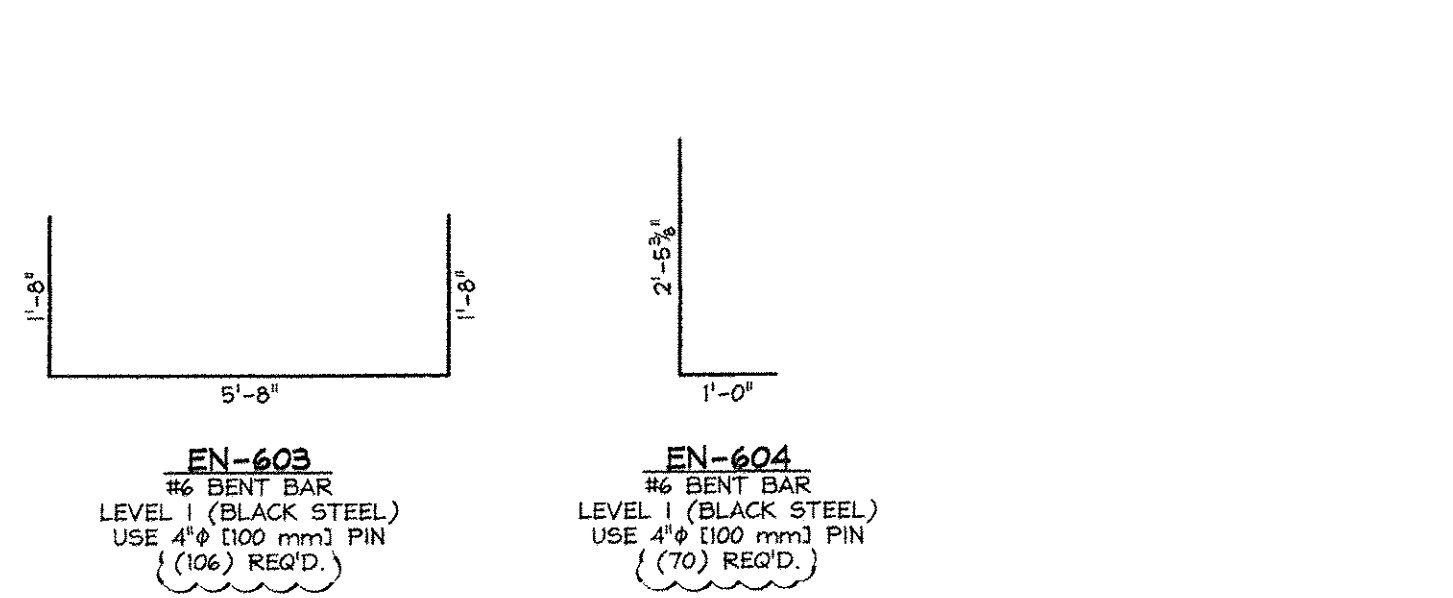
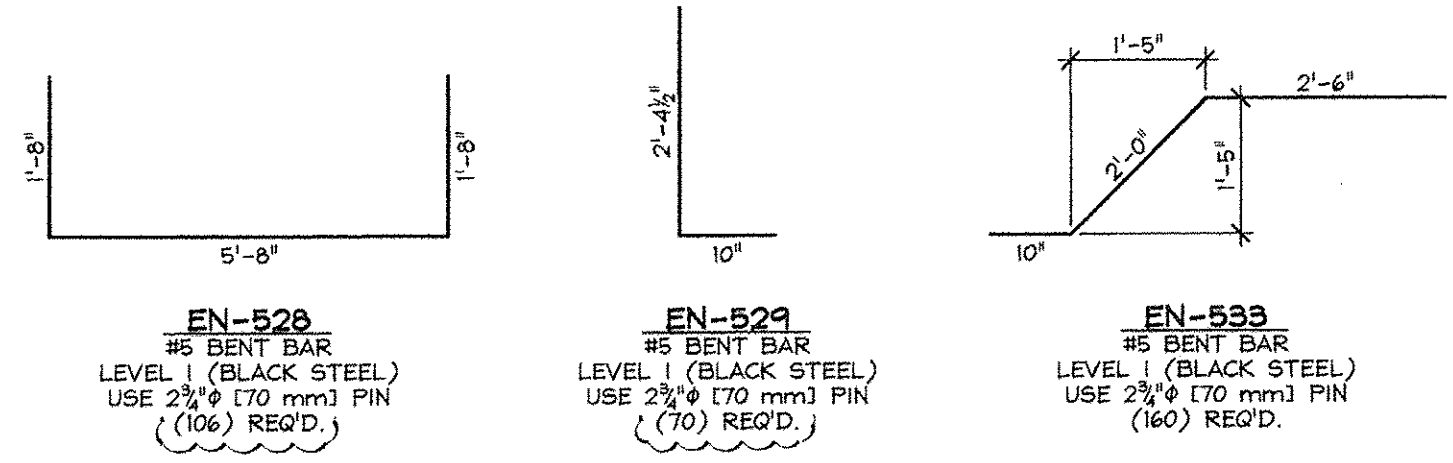
ABUTMENT MISCELLANEOUS MATERIALS				
ITEM	MARK	QTY.	DESCRIPTION	REMARKS
1		18	#5 x 3'-3" (LEVEL 1, BLACK STEEL)	
2		(54)	#5 x 4'-7" (LEVEL 1, BLACK STEEL)	
3		11	#5 x 4'-10" (LEVEL 1, BLACK STEEL)	
4		6	#5 x 7'-11" (LEVEL 1, BLACK STEEL)	
5		14	#5 x 32'-8" (LEVEL 1, BLACK STEEL)	
6		16	#5 x 2'-4" (LEVEL 1, BLACK STEEL)	
7		(5)	#5 x 7'-2" (LEVEL 1, BLACK STEEL)	
8		14	#5 x 31'-2" (LEVEL 1, BLACK STEEL)	
9		1	#5 x 7'-5" (LEVEL 1, BLACK STEEL)	
10		8	#5 x 10" (LEVEL 1, BLACK STEEL)	
11				
12		(54)	#6 x 4'-6" (LEVEL 1, BLACK STEEL)	
13		7	#6 x 4'-10" (LEVEL 1, BLACK STEEL)	
14		6	#6 x 7'-10" (LEVEL 1, BLACK STEEL)	
15		(5)	#6 x 7'-2" (LEVEL 1, BLACK STEEL)	
16		1	#6 x 7'-5" (LEVEL 1, BLACK STEEL)	
17				
18				
19	MK-EN2	(65)	NMB SPLICE SLEEVE 5U-X(PG) (BLACK STEEL)	
20	MK-EN3	(65)	NMB SPLICE SLEEVE 6U-X(PG) (BLACK STEEL)	
21		4	SET OF (4) 0.60" STRAND LIFTING LOOPS	
22				
23				
24				
25				

PILE CAP MISCELLANEOUS MATERIALS				
ITEM	MARK	QTY.	DESCRIPTION	REMARKS
1		14	#5 x 32'-8" (LEVEL 1, BLACK STEEL)	
2		14	#5 x 37'-2" (LEVEL 1, BLACK STEEL)	
3				
4				
5				
6		20	1'-3" x 2'-6" CORRUGATED SLEEVE (GALV.)	
7				
8	MK-EN6	8	20 T x 19 3/4" SWIFT LIFT LIFTER	
9				
10				

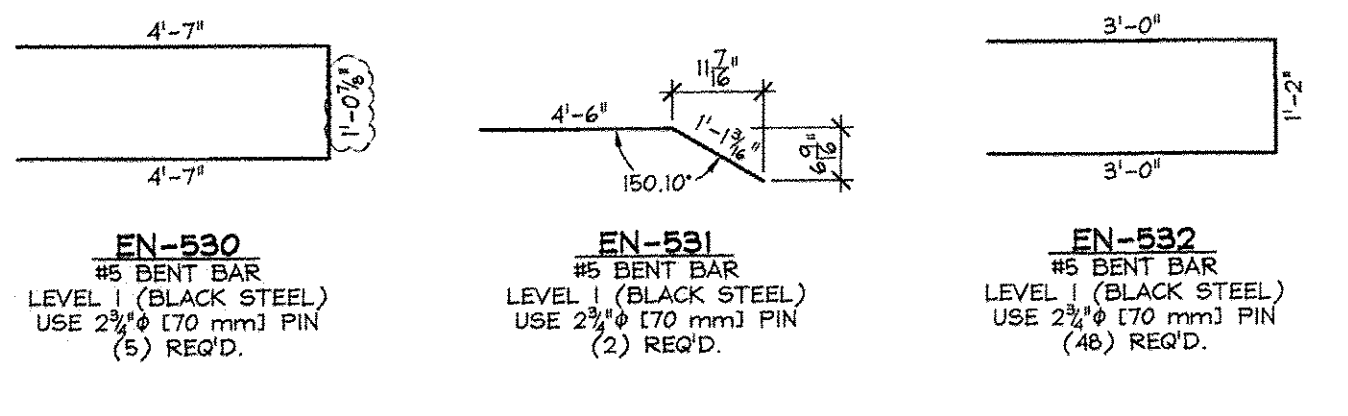
WINGWALL MISCELLANEOUS MATERIALS				
ITEM	MARK	QTY.	DESCRIPTION	REMARKS
1		5	#5 x 6'-1" (LEVEL 1, BLACK STEEL)	
2		18	#5 x 5'-0" (LEVEL 1, BLACK STEEL)	
3		48	#5 x 8'-4" (LEVEL 1, BLACK STEEL)	
4				
5		5	#6 x 6'-0" (LEVEL 1, BLACK STEEL)	
6		58	#6 x 6'-9" (LEVEL 1, BLACK STEEL)	
7				
8				
9	MK-EN2	5	NMB SPLICE SLEEVE 5U-X(PG) (BLACK STEEL)	
10	MK-EN3	63	NMB SPLICE SLEEVE 6U-X(PG) (BLACK STEEL)	
11	MK-EN4	16	4T x 7 1/8" SWIFT LIFT LIFTER	
12	MK-EN5	8	8T x 13 3/8" SWIFT LIFT LIFTER	
13				
14				
15				



PRECAST ABUTMENTS



PRECAST PILE CAPS



PRECAST WINGWALLS

APPROVED: Approval of drawings and/or procedures indicates concurrence with the information presented and does not relieve the Contractor or Fabricator of compliance with all specifications and code requirements

APPROVED AS NOTED

REVISE AND RESUBMIT

NOT REVIEWED

Date: 4-11-2014

By: James Hays

This review of Stantec Consulting Services Inc. is for the sole purpose of ascertaining conformance with the general design concept. This review shall not mean that Stantec Consulting Services Inc approves the detail design inherent in the shop drawings, responsibility for which shall remain with the Contractor. Submitting same, and such review shall not relieve the Contractor of his responsibility for errors or omissions in the shop drawing or of his responsibility for meeting all requirements of the Contract Documents. The contractor is responsible for dimensions to be confirmed and correlated at the job site, for information that pertains solely to the fabrication processes or to techniques of construction and installation and for coordination of the work of all subtrades.

Vermont Agency of Transportation

RECEIVED

ON: April 9, 2014

and Checked for CONFORMANCE

BY: Rob Young DATE: 04/14/2014

ISSUED FOR PRODUCTION

APR 09 2014

J. P. CARRARA & SONS, INC.
MIDDLEBURY, VT 05753

J.P. CARRARA & SONS INC. A.L. ST. ONGE CONTRACTOR, INC.

Precast & Prestress Manufacturer CONTRACTOR

2464 CASE STR., MIDDLEBURY, VERMONT 05753 Phone:(802)388-6361 Fax:(802)388-9010 MONTGOMERY CENTER, VERMONT

STATE OF VERMONT AGENCY OF TRANSPORTATION DATE: JAN. 27, 2014

COUNTY OF FRANKLIN SCALE: NOTED

TOWN OF ENOSBURG CHKD: M.W. DFTM: B.L.

BOSTON POST ROAD T.H.2 CLASS 2

BRIDGE NO.: 48 PROJECT NO.: BRO 1448(40) JOB NO: 23418-013

MATERIALS LIST DWG. NO: M2