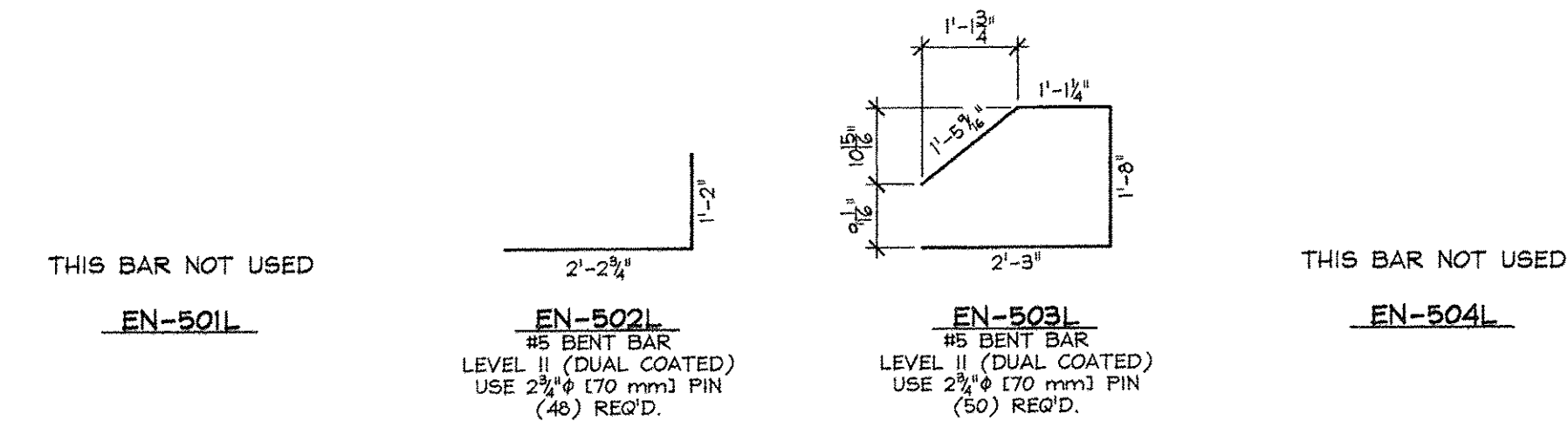


EN-401L
#4 BENT BAR
LEVEL II (DUAL COATED)
USE 2 3/8" (50 mm) PIN
(402) REQ'D.

EN-402L
#4 BENT BAR
LEVEL II (DUAL COATED)
USE 2 3/8" (50 mm) PIN
(560) REQ'D.

EN-403L
#4 BENT BAR
LEVEL II (DUAL COATED)
USE 2 3/8" (50 mm) PIN
(24) REQ'D.

EN-404L
#4 BENT BAR
LEVEL II (DUAL COATED)
USE 2 3/8" (50 mm) PIN
(48) REQ'D.

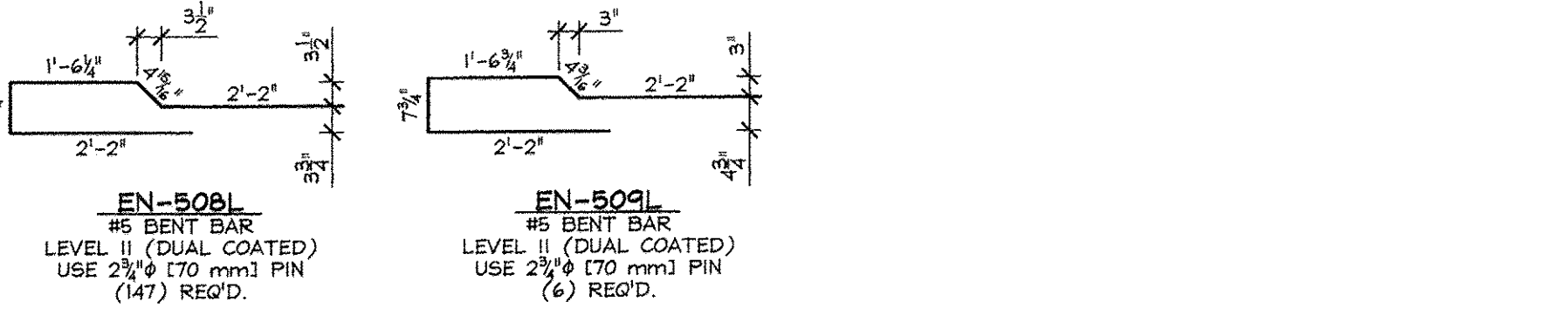


EN-501L
#5 BENT BAR
LEVEL II (DUAL COATED)
USE 2 3/8" (70 mm) PIN
(48) REQ'D.

EN-502L
#5 BENT BAR
LEVEL II (DUAL COATED)
USE 2 3/8" (70 mm) PIN
(50) REQ'D.

EN-503L
#5 BENT BAR
LEVEL II (DUAL COATED)
USE 2 3/8" (70 mm) PIN
(50) REQ'D.

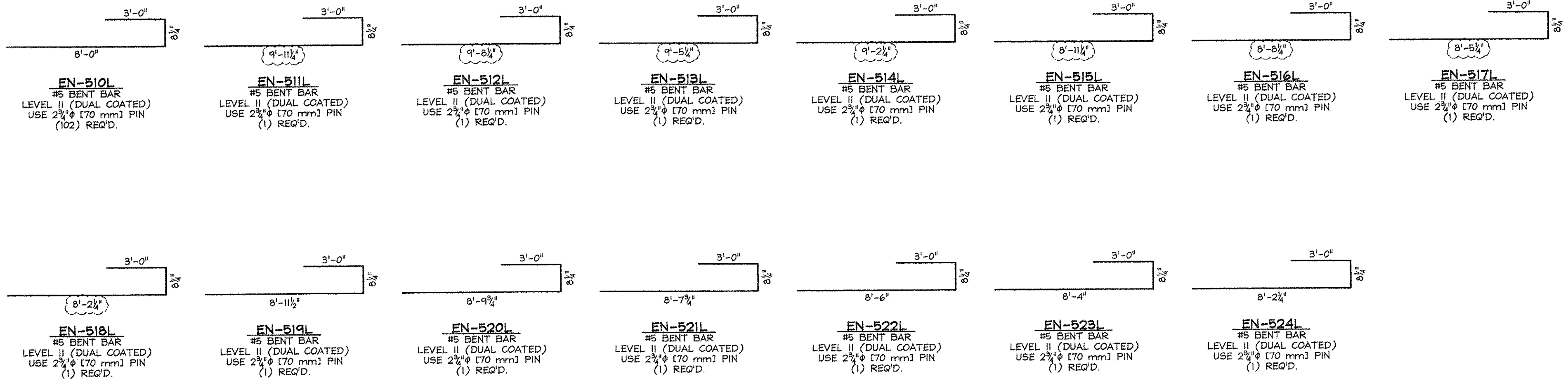
EN-504L
#5 BENT BAR
LEVEL II (DUAL COATED)
USE 2 3/8" (70 mm) PIN
(8) REQ'D.



EN-508L
#5 BENT BAR
LEVEL II (DUAL COATED)
USE 2 3/8" (70 mm) PIN
(147) REQ'D.

EN-509L
#5 BENT BAR
LEVEL II (DUAL COATED)
USE 2 3/8" (70 mm) PIN
(6) REQ'D.

PRESTRESSED NEXT BEAMS



EN-510L
#5 BENT BAR
LEVEL II (DUAL COATED)
USE 2 3/8" (70 mm) PIN
(102) REQ'D.

EN-511L
#5 BENT BAR
LEVEL II (DUAL COATED)
USE 2 3/8" (70 mm) PIN
(1) REQ'D.

EN-512L
#5 BENT BAR
LEVEL II (DUAL COATED)
USE 2 3/8" (70 mm) PIN
(1) REQ'D.

EN-513L
#5 BENT BAR
LEVEL II (DUAL COATED)
USE 2 3/8" (70 mm) PIN
(1) REQ'D.

EN-514L
#5 BENT BAR
LEVEL II (DUAL COATED)
USE 2 3/8" (70 mm) PIN
(1) REQ'D.

EN-515L
#5 BENT BAR
LEVEL II (DUAL COATED)
USE 2 3/8" (70 mm) PIN
(1) REQ'D.

EN-516L
#5 BENT BAR
LEVEL II (DUAL COATED)
USE 2 3/8" (70 mm) PIN
(1) REQ'D.

EN-517L
#5 BENT BAR
LEVEL II (DUAL COATED)
USE 2 3/8" (70 mm) PIN
(1) REQ'D.

EN-518L
#5 BENT BAR
LEVEL II (DUAL COATED)
USE 2 3/8" (70 mm) PIN
(1) REQ'D.

EN-519L
#5 BENT BAR
LEVEL II (DUAL COATED)
USE 2 3/8" (70 mm) PIN
(1) REQ'D.

EN-520L
#5 BENT BAR
LEVEL II (DUAL COATED)
USE 2 3/8" (70 mm) PIN
(1) REQ'D.

EN-521L
#5 BENT BAR
LEVEL II (DUAL COATED)
USE 2 3/8" (70 mm) PIN
(1) REQ'D.

EN-522L
#5 BENT BAR
LEVEL II (DUAL COATED)
USE 2 3/8" (70 mm) PIN
(1) REQ'D.

EN-523L
#5 BENT BAR
LEVEL II (DUAL COATED)
USE 2 3/8" (70 mm) PIN
(1) REQ'D.

EN-524L
#5 BENT BAR
LEVEL II (DUAL COATED)
USE 2 3/8" (70 mm) PIN
(1) REQ'D.



EN-601L
#6 BENT BAR
LEVEL II (DUAL COATED)
USE 4" (100 mm) PIN
(90) REQ'D.

PRECAST APPROACH SLABS

APPROVED: Approval of drawings and/or procedures indicates concurrence with the information presented and does not relieve the Contractor or Fabricator of compliance with all specifications and code requirements

APPROVED AS NOTED

REVISE AND RESUBMIT

NOT REVIEWED

Date: 4-11-2014

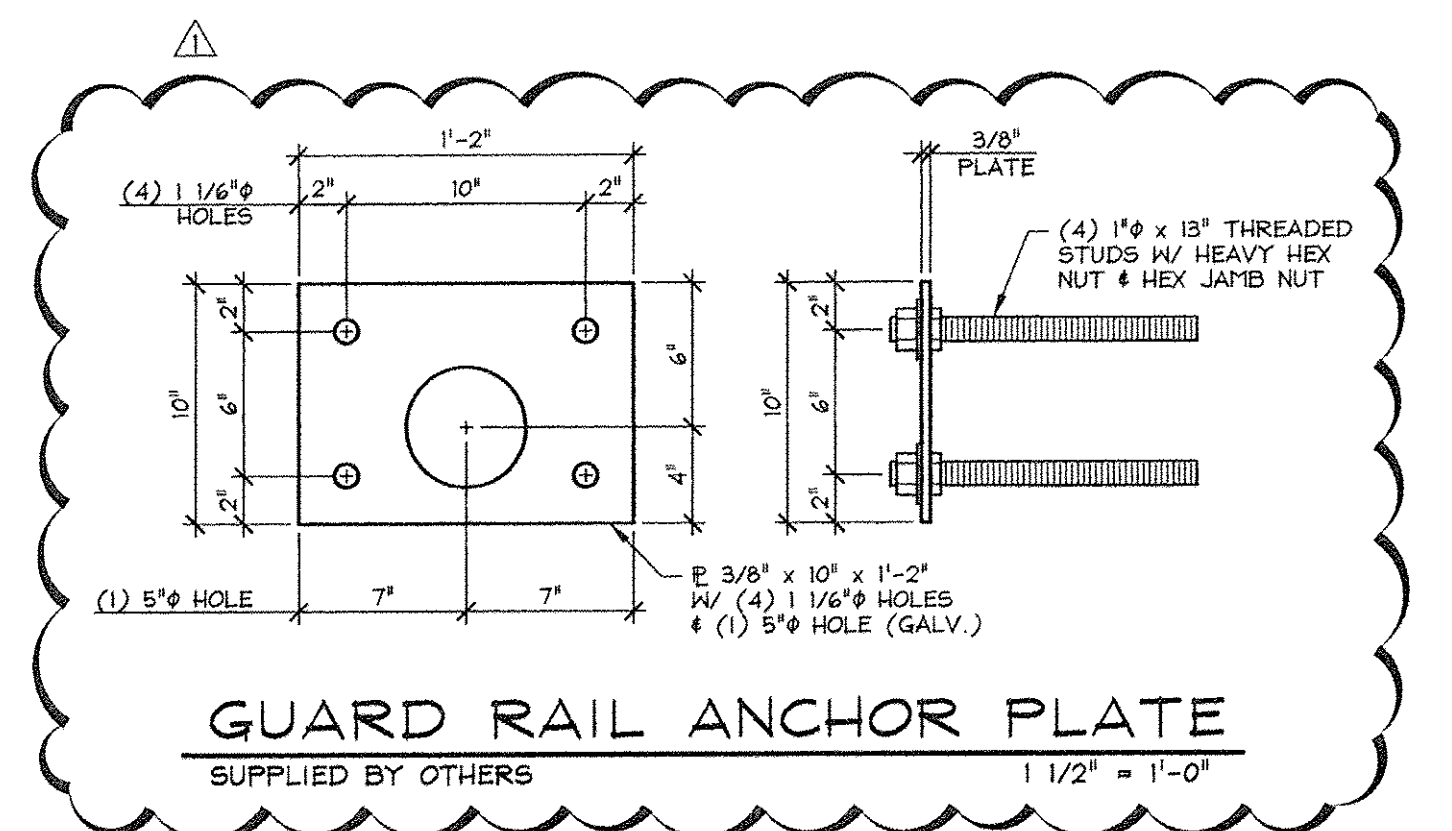
By: James Hyland

This review by Stantec Consulting Services Inc. is for the sole purpose of ascertaining conformance with the general design concept. This review shall not mean that Stantec Consulting Services Inc. approves the detail design inherent in the shop drawings, responsibility for which shall remain with the Contractor. Submitting same, and such review shall not relieve the Contractor of his responsibility for errors or omissions in the shop drawing or of his responsibility for meeting all requirements of the Contract Documents. The contractor is responsible for dimensions to be confirmed and correlated at the job site, for information that pertains solely to the fabrication processes or to techniques of construction and installation and for coordination of the work of all subtrades.

Vermont Agency of Transportation
RECEIVED
ON: April 9, 2014
and Checked for
CONFORMANCE
BY: Rob Young DATE: 04/14/2014

NEXT BEAM & CURTAIN WALL MISCELLANEOUS MATERIALS				
ITEM	MARK	QTY.	DESCRIPTION	REMARKS
1		54	#4 x 8'-4" (LEVEL II, DUAL COATED)	
2				
3		864	#5 x 8'-4" (LEVEL II, DUAL COATED)	
4		36	#5 x 7'-8" (W/ (1) 2'-6" STAGGERED LAP) (LVL. II, DUAL COATED)	
5		36	#5 x 7'-8" (W/ (1) 2'-6" STAGGERED LAP) (LVL. II, DUAL COATED)	
6		6	#5 x 7'-3" (W/ (1) 2'-6" STAGGERED LAP) (LVL. II, DUAL COATED)	
7		40	#5 x 9'-1" (LVL. II, DUAL COATED)	
8		4	#5 x 6'-10" (LVL. II, DUAL COATED)	
9		4	#5 x 7'-7" (LVL. II, DUAL COATED)	
10				
11		24	#8 x 2'-0" (LEVEL II, DUAL COATED)	
12				
13				
14				
15		20	GUARD RAIL ANCHOR PLATE (GALV.)	△ SUPPLIED BY OTHERS. SEE DETAIL THIS SHEET
16		12	SET OF (4) 0.60" x 270 KSI STRAND LIFTING LOOPS	
17				
18				
19				
20				

APPROACH SLAB MISCELLANEOUS MATERIALS				
ITEM	MARK	QTY.	DESCRIPTION	REMARKS
1		46	#5 x 7'-2" (LEVEL II, DUAL COATED)	
2		1	#5 x 9'-1 1/4" (LEVEL II, DUAL COATED)	
3		1	#5 x 8'-10 1/4" (LEVEL II, DUAL COATED)	
4		1	#5 x 8'-7 1/4" (LEVEL II, DUAL COATED)	
5		1	#5 x 8'-4 1/4" (LEVEL II, DUAL COATED)	
6		1	#5 x 8'-1 1/4" (LEVEL II, DUAL COATED)	
7		1	#5 x 7'-10 1/4" (LEVEL II, DUAL COATED)	
8		1	#5 x 7'-7 1/4" (LEVEL II, DUAL COATED)	
9		1	#5 x 7'-4 1/4" (LEVEL II, DUAL COATED) △	
10		1	#5 x 8'-1 1/2" (LEVEL II, DUAL COATED)	
11		1	#5 x 7'-11 3/4" (LEVEL II, DUAL COATED)	
12		1	#5 x 7'-9 3/4" (LEVEL II, DUAL COATED)	
13		1	#5 x 7'-8" (LEVEL II, DUAL COATED)	
14		1	#5 x 7'-6" (LEVEL II, DUAL COATED)	
15		1	#5 x 7'-4 1/4" (LEVEL II, DUAL COATED)	
16				
17		48	#6 x 14'-6 1/2" (LEVEL II, DUAL COATED)	
18		(4)	#6 x 7'-11" (LEVEL II, DUAL COATED)	
19		2	#6 x 5'-6" (LEVEL II, DUAL COATED)	
20				
21				
22	PK-ENI	24	4T x 7 1/8" SHIFT LIFT LIFTER	△ GALVANIZE
23		24	4" I.D. x 1'-2" PVC SLEEVE	
24				
25				



△ 4-7-14 REVISED AS NOTED

APPROVAL STAMP:	J.P. CARRARA & SONS INC. A.L. ST. ONGE CONTRACTOR, INC. Precast & Prestress Manufacturer CONTRACTOR 2464 CASE ST., WOODBURY, VERMONT 05753 Phone:(802)388-6361 Fax:(802)388-9010 MONTGOMERY CENTER, VERMONT	
	STATE OF VERMONT AGENCY OF TRANSPORTATION COUNTY OF FRANKLIN	DATE: JAN. 27, 2014 SCALE: NOTED
	TOWN OF ENOSBURG BOSTON POST ROAD T.H.2 CLASS 2 BRIDGE NO.: 48 PROJECT NO.: BRO 1448(40)	CHKD: M.W. DFTM: B.L. JOB NO: 23418-013
	MATERIALS LIST	
		DWG. NO: M1

ISSUED FOR PRODUCTION
APR 09 2014
J.P. Carrara & Sons, Inc.
MIDDLEBURY, VT 05753