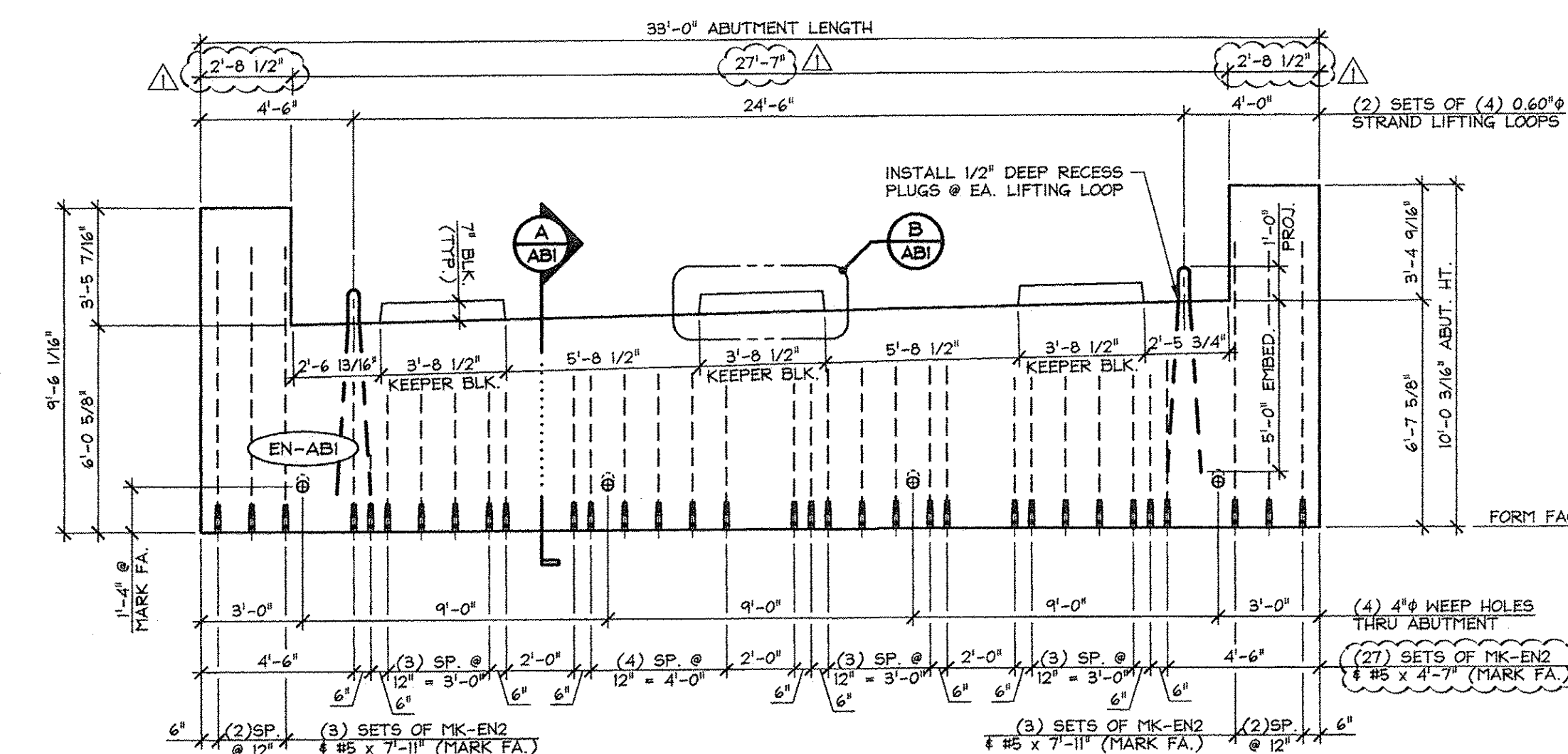
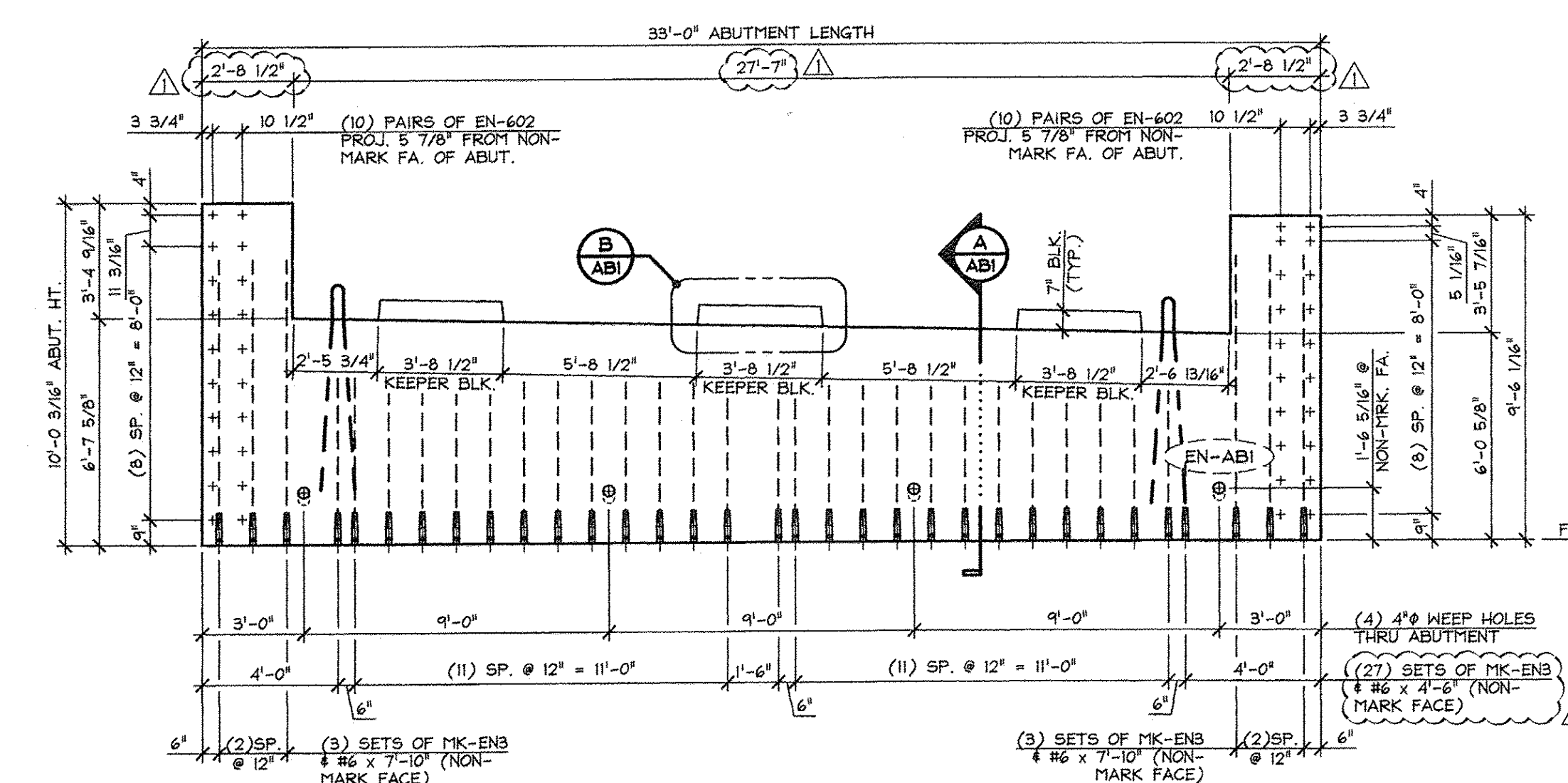


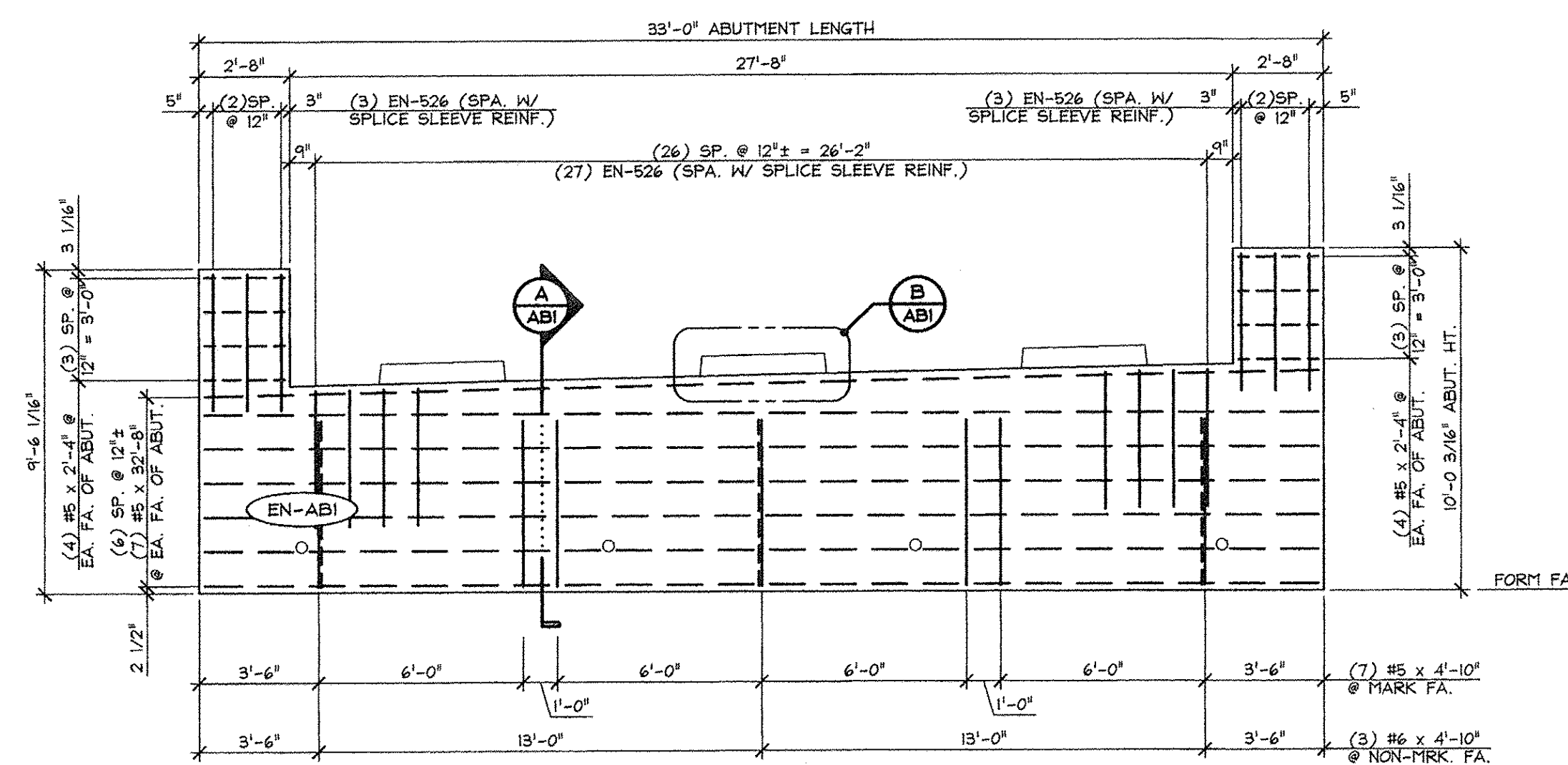
1 DIMENSIONAL PLAN VIEW IN FORM  
ABI  
1/4" = 1'-0"



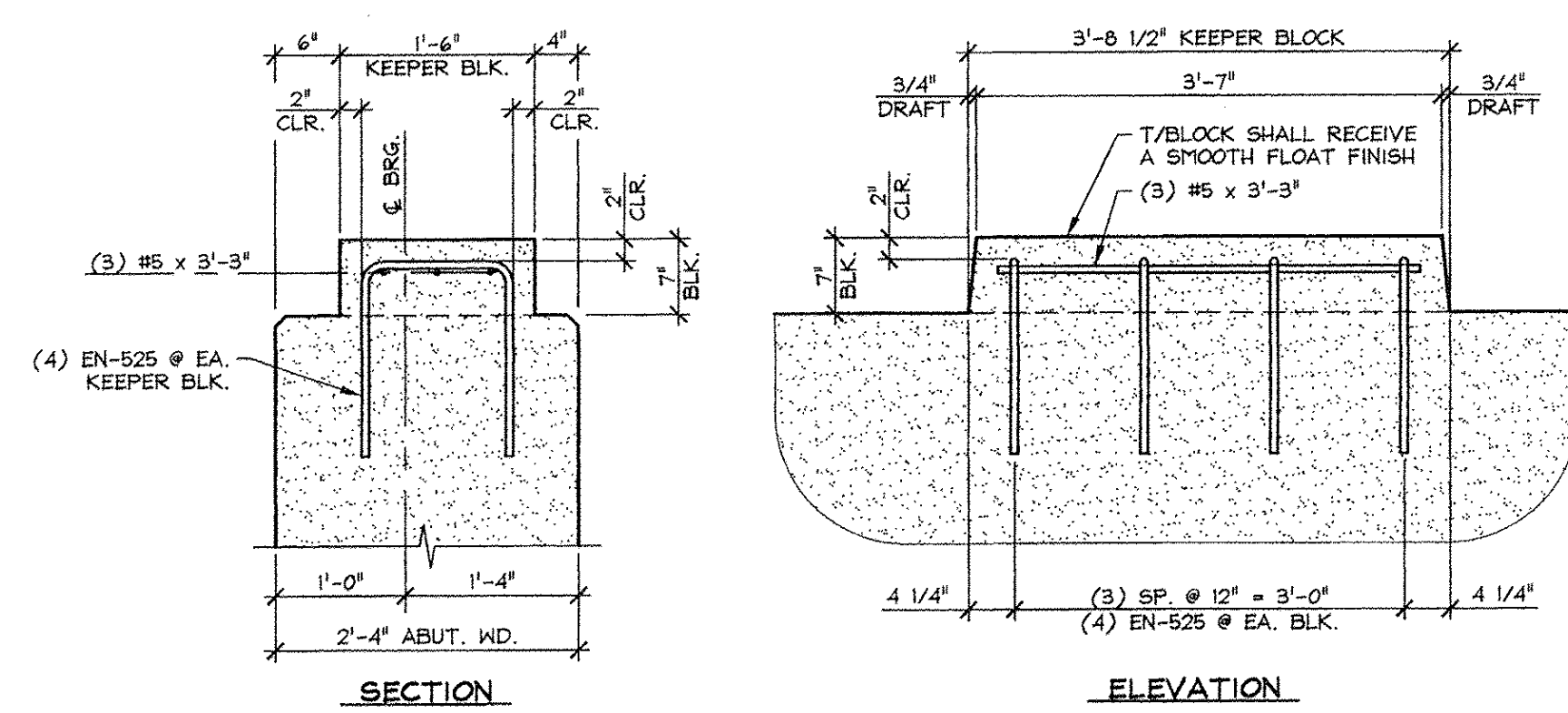
2 DIMENSIONAL ELEVATION (MARK FACE)  
ABI  
1/4" = 1'-0"



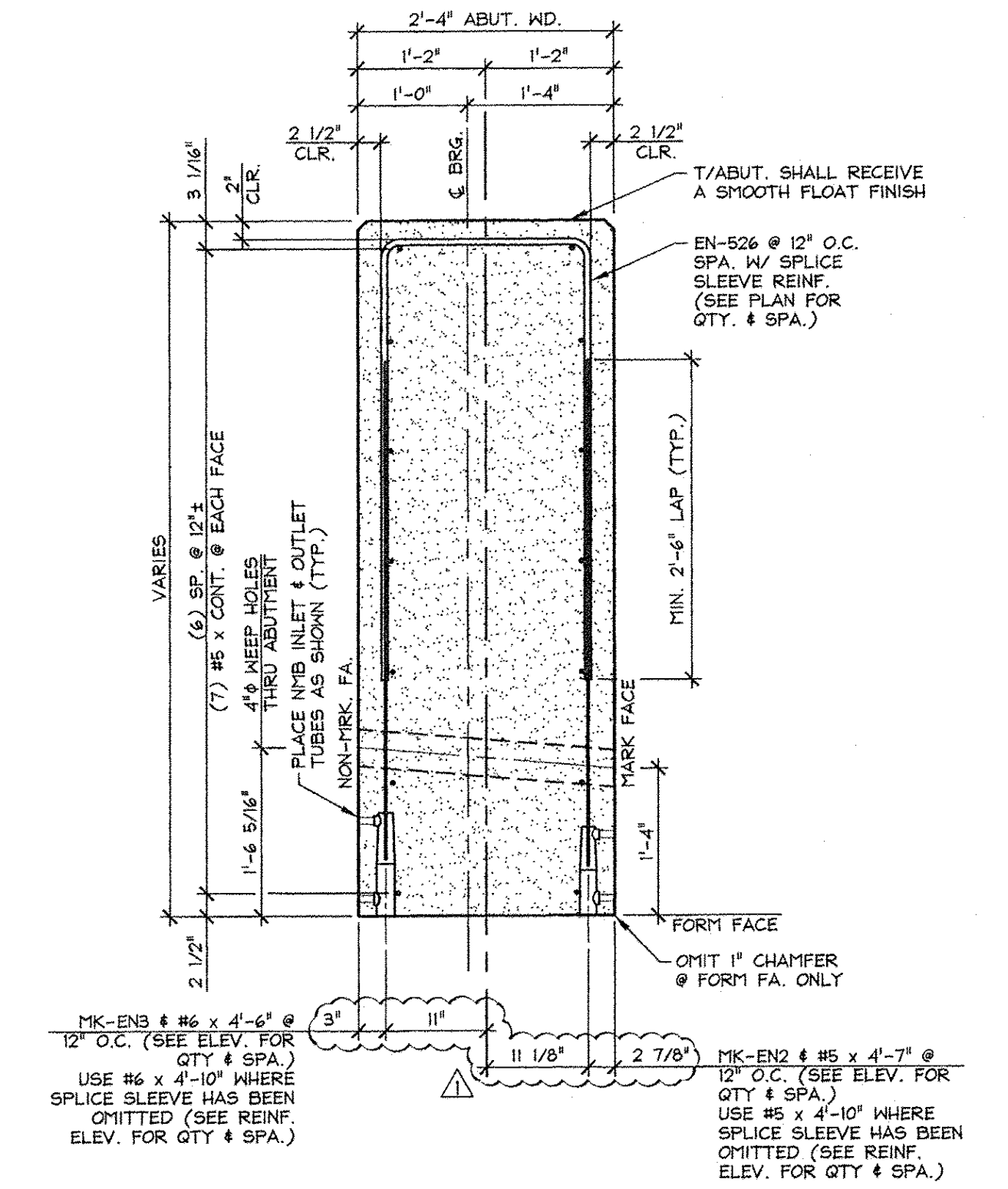
3 DIMENSIONAL ELEVATION (NON-MARK FACE)  
ABI  
1/4" = 1'-0"



4 REINFORCING ELEVATION  
ABI  
1/4" = 1'-0"



B KEEPER BLOCK DETAILS  
ABI  
3/4" = 1'-0"



A ABUTMENT SECTION  
ABI  
3/4" = 1'-0"

SHOP NOTE:  
ALL EDGES OF ABUTMENT SHALL RECEIVE A 1" CHAMFER (U.N.O.)

SHOP NOTE:  
F<sub>c</sub> = 5,000 PSI  
F<sub>s</sub> = 4,000 PSI  
MIX: #44MSCC

ISSUED FOR PRODUCTION  
APR 09 2014  
J.P. CARRARA & SONS, INC.  
MIDDLEBURY, VT 05753

MARK: EN-ABI QTY.: 1 WT.: 40.54 T VOL.: 20.02 cy

MATERIAL LIST / ABUTMENT			
ITEM	MARK	DESCRIPTION	QTY.
1	EN-525	#5 BENT BAR (LEVEL I, BLACK STEEL)	12
2	EN-526	#5 BENT BAR (LEVEL I, BLACK STEEL)	33
3		#5 x 3'-3" (LEVEL I, BLACK STEEL)	9
4		#5 x 4'-7" (LEVEL I, BLACK STEEL)	(27)
5		#5 x 4'-10" (LEVEL I, BLACK STEEL)	7
6		#5 x 7'-11" (LEVEL I, BLACK STEEL)	6
7		#5 x 32'-8" (LEVEL I, BLACK STEEL)	14
8		#5 x 2'-4" (LEVEL I, BLACK STEEL)	16
9			
10	EN-602	#6 BENT BAR (LEVEL I, BLACK STEEL)	40
11		#6 x 4'-6" (LEVEL I, BLACK STEEL)	(27)
12		#6 x 4'-10" (LEVEL I, BLACK STEEL)	3
13		#6 x 7'-10" (LEVEL I, BLACK STEEL)	6
14			
15			
16			
17	MK-EN2	N/B SPLICE SLEEVE 5U-X(FG) (BLACK STEEL)	(33)
18	MK-EN3	N/B SPLICE SLEEVE 6U-X(FG) (BLACK STEEL)	(33)
19		SET OF (4) 0.60" STRAND LIFTING LOOPS	2
20			

APPROVED: Approval of drawings and/or procedures indicates concurrence with the information presented and does not relieve the Contractor or Fabricator of compliance with all specifications and code requirements

APPROVED AS NOTED

REVISE AND RESUBMIT

NOT REVIEWED

Date: 4-11-2014

By: James H. [Signature]

This review by Stantec Consulting Services Inc. is for the sole purpose of ascertaining conformance with the general design concept. This review shall not mean that Stantec Consulting Services Inc approves the detail design inherent in the shop drawings, responsibility for which shall remain with the Contractor. Submitting same, and such review shall not relieve the Contractor of his responsibility for errors or omissions in the shop drawing or of his responsibility for meeting all requirements of the Contract Documents. The contractor is responsible for dimensions to be confirmed and correlated at the job site, for information that pertains solely to the fabrication processes or to techniques of construction and installation and for coordination of the work of all subtrades.

Vermont Agency of Transportation  
RECEIVED  
ON: April 9, 2014  
and Checked for  
CONFORMANCE  
BY: Rob Young DATE: 04/14/2014

J.P. CARRARA & SONS INC. A.L. ST. ONGE CONTRACTOR, INC.  
Precast & Prestress Manufacturer CONTRACTOR  
244 OAK ST., MIDDLEBURY, VERMONT 05753 Phone: (802)388-6261 Fax: (802)388-9010 MONTGOMERY CENTER, VERMONT

STATE OF VERMONT AGENCY OF TRANSPORTATION COUNTY OF FRANKLIN DATE: JAN. 27, 2014  
SCALE: NOTED

TOWN OF ENOSBURG  
BOSTON POST ROAD T.H.2 CLASS 2  
BRIDGE NO.: 48 PROJECT NO.: BRO 1448(40) CHKD: M.W. DFTM: B.L.  
JOB NO: 23418-013

PRECAST ABUTMENT DETAILS DWG. NO: ABI