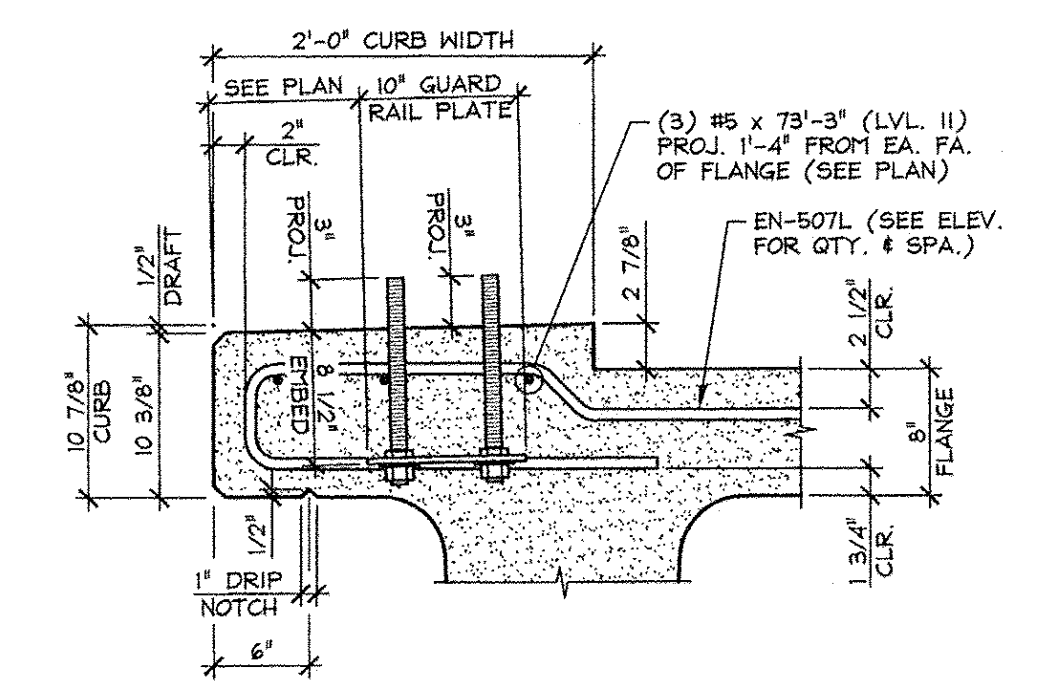
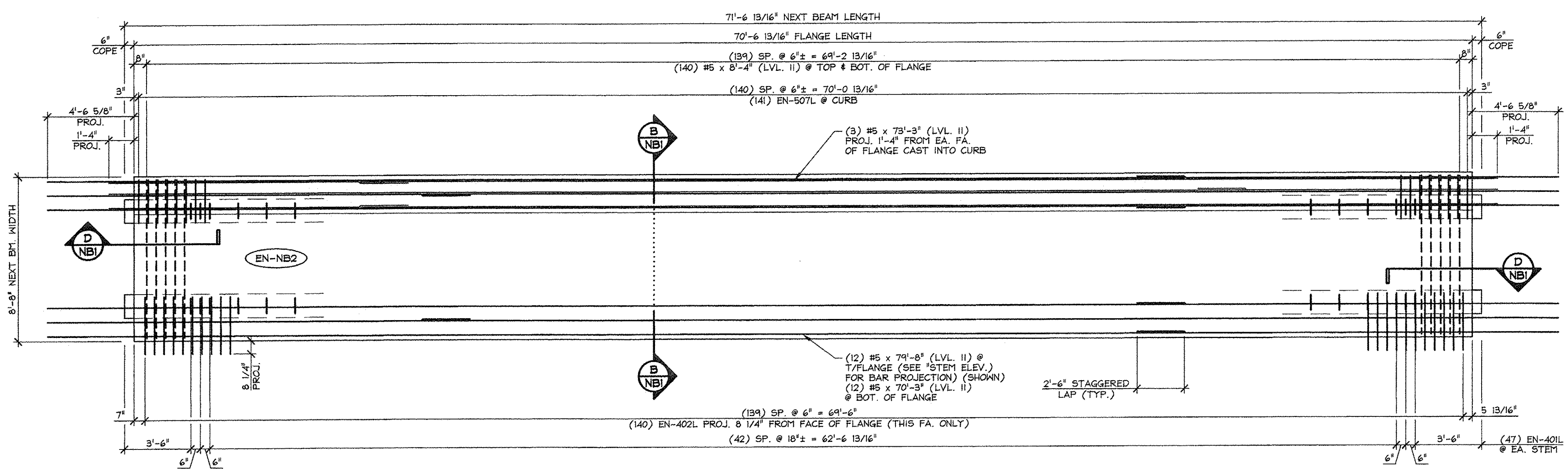


1 DIMENSIONAL PLAN VIEW IN FORM
NBS 1/4" = 1'-0"

(1) 2" I.D. PVC SLEEVE CAST INTO EACH END OF EACH STEP (SLEEVE TO REMAIN IN STEP) (TYP.)
 SET OF (4) 0.60" STRAND LIFTING LOOPS (MIN. 2'-0" EMBED.) (TYP. @ EA. END OF EA. STEP) (DUNNAGE LOCATION, TYP.)



A CURB & GUARD RAIL ANCHOR
NBS PLATE SECTION 1" = 1'-0"
TYP. BEAM REINF. NOT SHOWN FOR CLARITY



2 REINFORCING PLAN VIEW IN FORM
NBS 1/4" = 1'-0"

ISSUED FOR PRODUCTION
APR 09 2014
J. P. CARRARA & SONS, INC.
MIDDLEBURY, VT 05753

MARK: EN-NB2	QTY.: 1	WT.: 58.67 T	VOL.: 28.98 cy
MATERIAL LIST / NEXT BEAM			
ITEM	MARK	DESCRIPTION	QTY.
1	EN-401L	#4 BENT BAR (LEVEL II, DUAL COATED)	134
2	EN-402L	#4 BENT BAR (LEVEL II, DUAL COATED)	140
3	EN-403L	#4 BENT BAR (LEVEL II, DUAL COATED)	8
4	EN-404L	#4 BENT BAR (LEVEL II, DUAL COATED)	16
5		#4 x 8'-4" (LEVEL II, DUAL COATED)	18
6			
7	EN-507L	#5 BENT BAR (LEVEL II, DUAL COATED)	141
8		#5 x 8'-4" (LEVEL II, DUAL COATED)	282
9		#5 x 79'-8" (W/ (1) 2'-6" STAGGERED LAP) (LVL. II, DUAL COATED)	12
10		#5 x 70'-3" (W/ (1) 2'-6" STAGGERED LAP) (LVL. II, DUAL COATED)	12
11		#5 x 73'-3" (W/ (1) 2'-6" STAGGERED LAP) (LVL. II, DUAL COATED)	3
12			
13		GUARD RAIL ANCHOR PLATE (GALV.) (SUPPLIED BY OTHERS)	8
14		SET OF (4) 0.60" x 270 KSI STRAND LIFTING LOOPS	4
15			

APPROVED: Approval of drawings and/or procedures indicates concurrence with the information presented and does not relieve the Contractor or Fabricator of compliance with all specifications and code requirements

APPROVED AS NOTED

REVISE AND RESUBMIT

NOT REVIEWED

Date: 4-11-2014

By: James H. [Signature]

This review by Stantec Consulting Services Inc. is for the sole purpose of ascertaining conformance with the general design concept. This review shall not mean that Stantec Consulting Services Inc approves the detail design inherent in the shop drawings, responsibility for which shall remain with the Contractor. Submitting same, and such review shall not relieve the Contractor of his responsibility for errors or omissions in the shop drawing or of his responsibility for meeting all requirements of the Contract Documents. The contractor is responsible for dimensions to be confirmed and correlated at the job site, for information that pertains solely to the fabrication processes or to techniques of construction and installation and for coordination of the work of all subcontractors.

Vermont Agency of Transportation
RECEIVED
 ON: April 9, 2014
 and Checked for
CONFORMANCE
 BY: Rob Young DATE: 04/14/2014

J.P. CARRARA & SONS INC. A.L. St. ONGE CONTRACTOR, INC.
 Precast & Prestress Manufacturer CONTRACTOR
 2464 CASE ST., MIDDLEBURY, VERMONT 05753 Phone:(802)388-6361 Fax:(802)388-8010 MONTGOMERY CENTER, VERMONT

STATE OF VERMONT AGENCY OF TRANSPORTATION COUNTY OF FRANKLIN DATE: JAN. 27, 2014
 SCALE: NOTED

TOWN OF ENOSBURG CHKD: M.W. DFTM: B.L.
 BOSTON POST ROAD T.H.2 CLASS 2
 BRIDGE NO.: 48 PROJECT NO.: BRO 1448(40) JOB NO: 23418-013

PRESTRESSED NEXT BEAM DETAILS DWG. NO: NBS