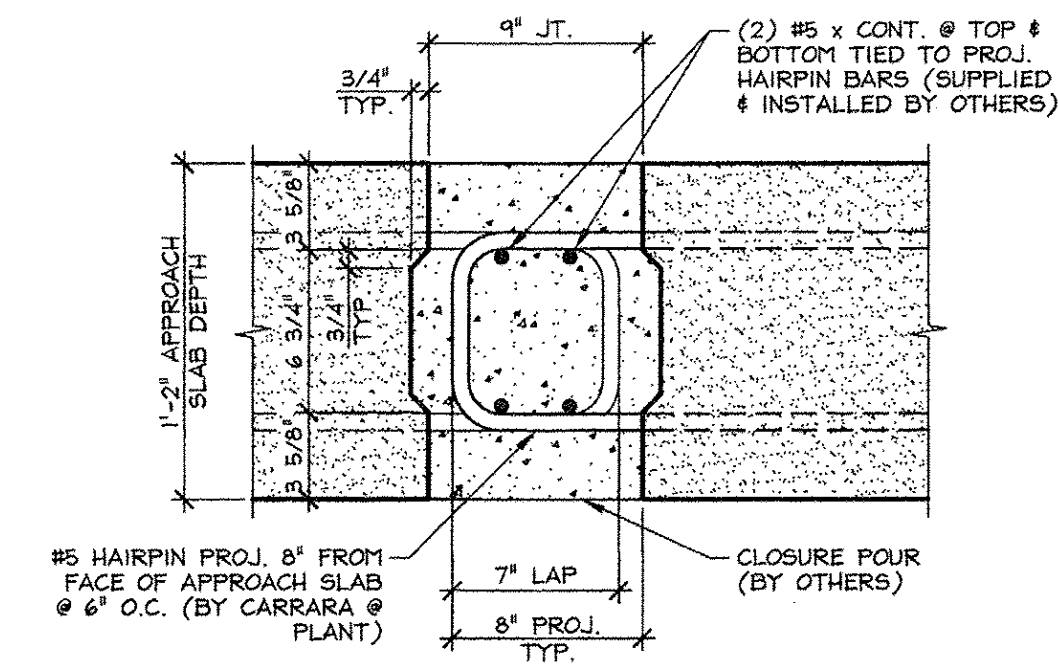
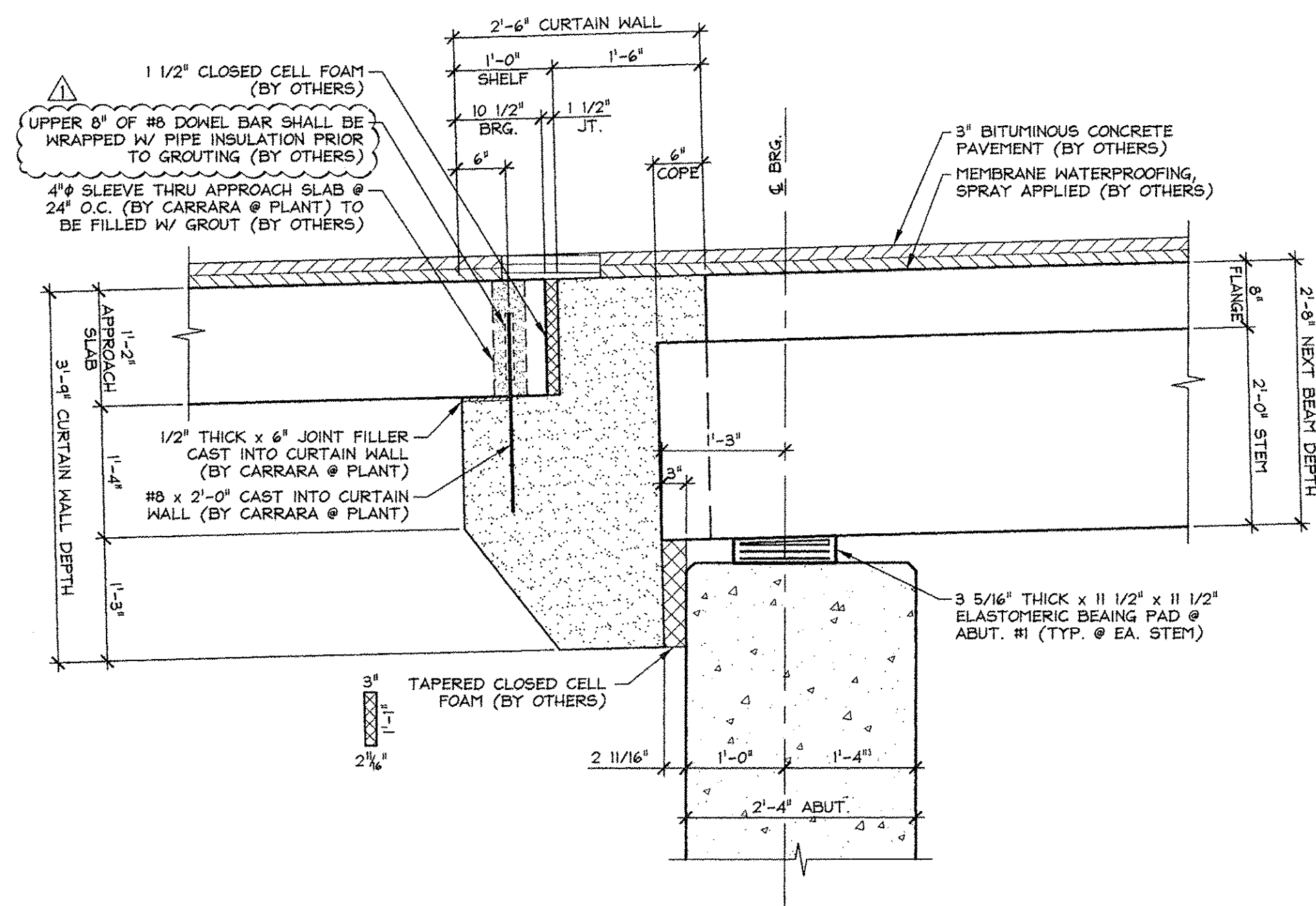


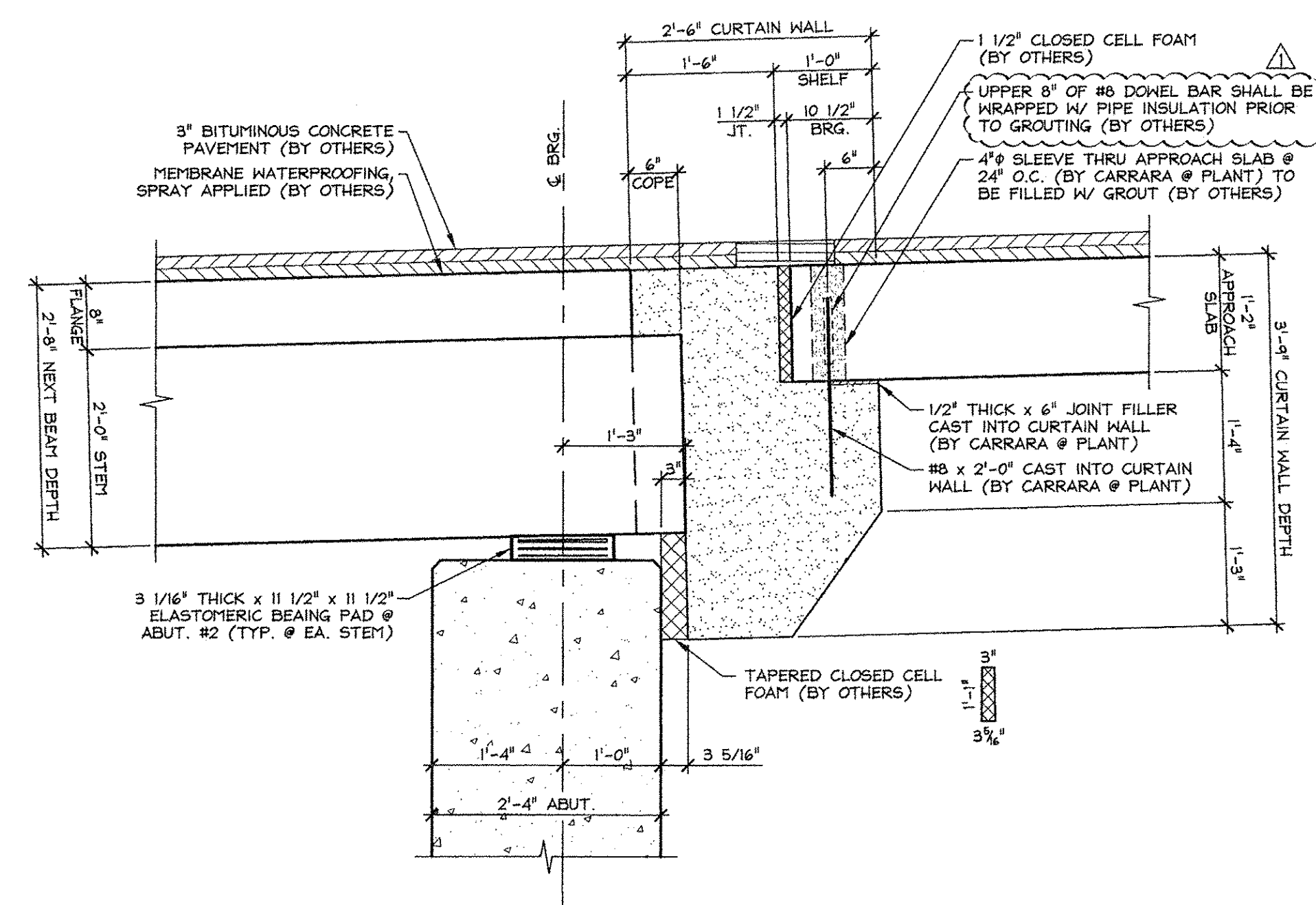
1 TRANSVERSE APPROACH SLAB SECTION
F6 3/8" = 1'-0"



A APPROACH SLAB CLOSURE POUR
F6 1 1/2" = 1'-0"



B BEARING SECTION - ABUTMENT #1
F6 3/4" = 1'-0"



C BEARING SECTION - ABUTMENT #2
F6 3/4" = 1'-0"

APPROVED: Approval of drawings and/or procedures indicates concurrence with the information presented and does not relieve the Contractor or Fabricator of compliance with all specifications and code requirements

APPROVED AS NOTED

REVISE AND RESUBMIT

NOT REVIEWED

Date: 4-11-2014

By: James H. [Signature]

This review by Stantec Consulting Services Inc. is for the sole purpose of ascertaining conformance with the general design concept. This review shall not mean that Stantec Consulting Services Inc. approves the detail design inherent in the shop drawings, responsibility for which shall remain with the Contractor. Submitting same, and such review shall not relieve the Contractor of his responsibility for errors or omissions in the shop drawing or of his responsibility for meeting all requirements of the Contract Documents. The contractor is responsible for dimensions to be confirmed and correlated at the job site, for information that pertains solely to the fabrication processes or to techniques of construction and installation and for coordination of the work of all subtrades.



Vermont Agency of Transportation
RECEIVED
 ON: April 9, 2014
 and Checked for
CONFORMANCE
 BY: Rob Young DATE: 04/14/2014

4-7-14 REVISED AS NOTED

APPROVAL STAMP:

J.P. CARRARA & SONS INC. A.L. ST. ONGE CONTRACTOR, INC.
 Precast & Prestress Manufacturer CONTRACTOR
 244 DGE STR., MIDDLEBURY, VERMONT 05753 Phone: (802)388-6361 Fax: (802)388-9010 MONTGOMERY CENTER, VERMONT

STATE OF VERMONT AGENCY OF TRANSPORTATION
 COUNTY OF FRANKLIN

TOWN OF ENOSBURG
 BOSTON POST ROAD T.H.2 CLASS 2
 BRIDGE NO.: 48 PROJECT NO.: BRO 1448(40)

APPROACH SLAB SECTION &
 BEARING DETAILS

DATE: JAN. 27, 2014
 SCALE: NOTED
 CHKD: M.W. DFTM: B.L.
 JOB NO: 23416-013
 DWG. NO: **F6**

ISSUED FOR PRODUCTION
 APR 09 2014
 J. P. CARRARA & SONS, INC.
 MIDDLEBURY, VT 05753