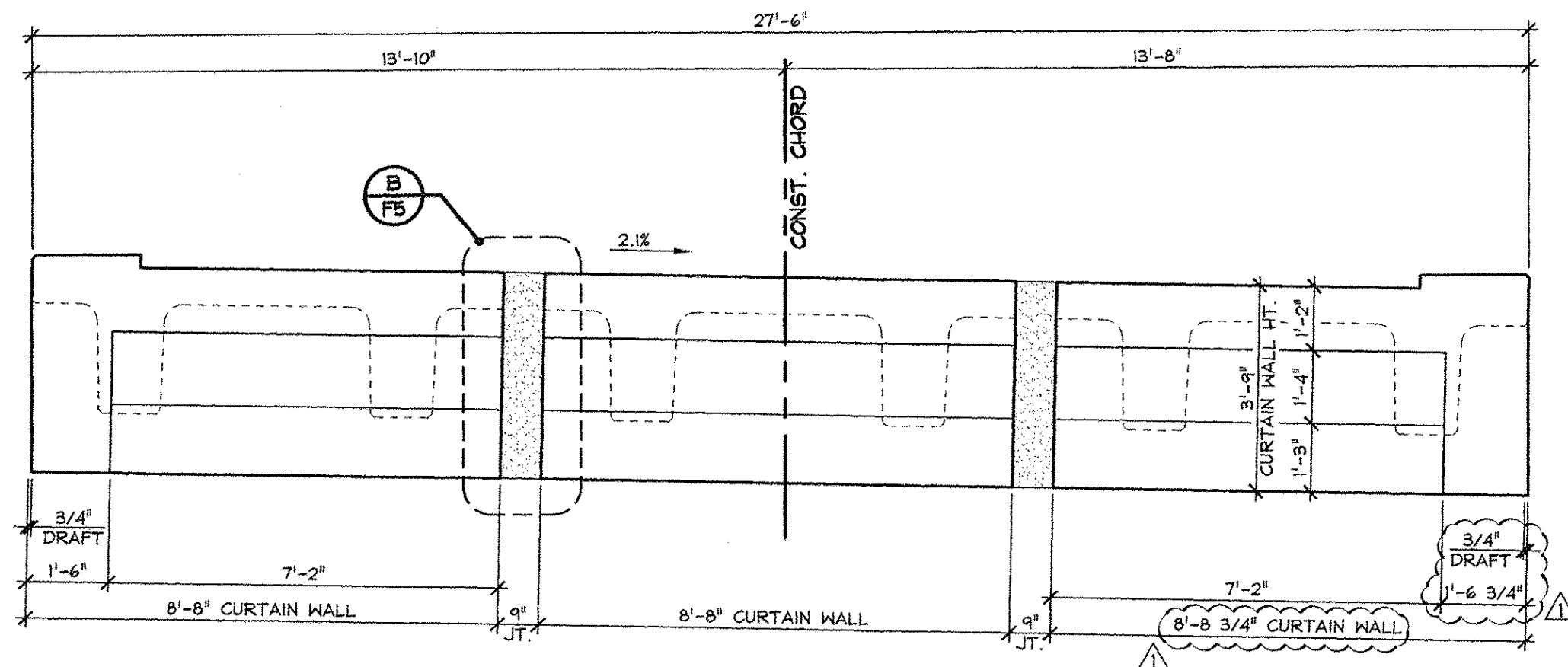
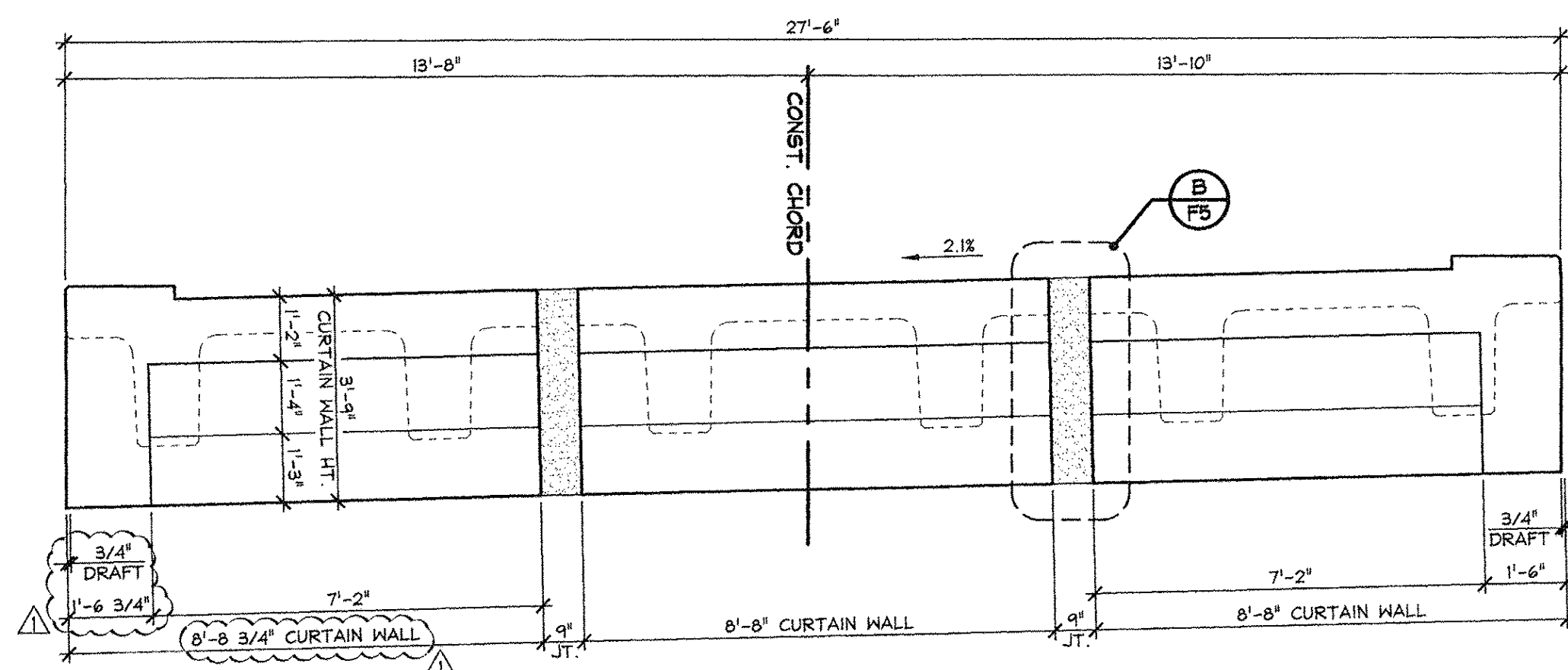


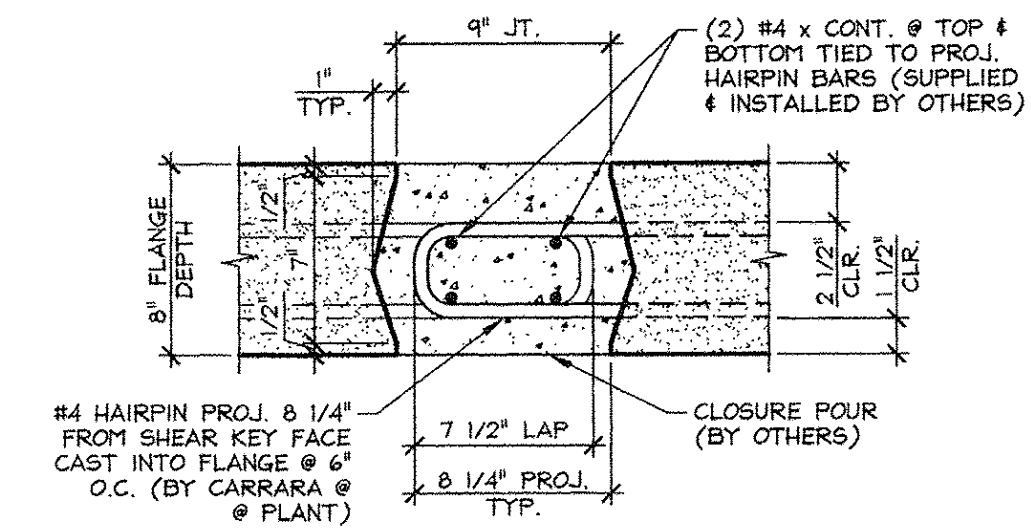
1 TRANSVERSE NEXT BEAM SECTION
F5
3/8" = 1'-0"



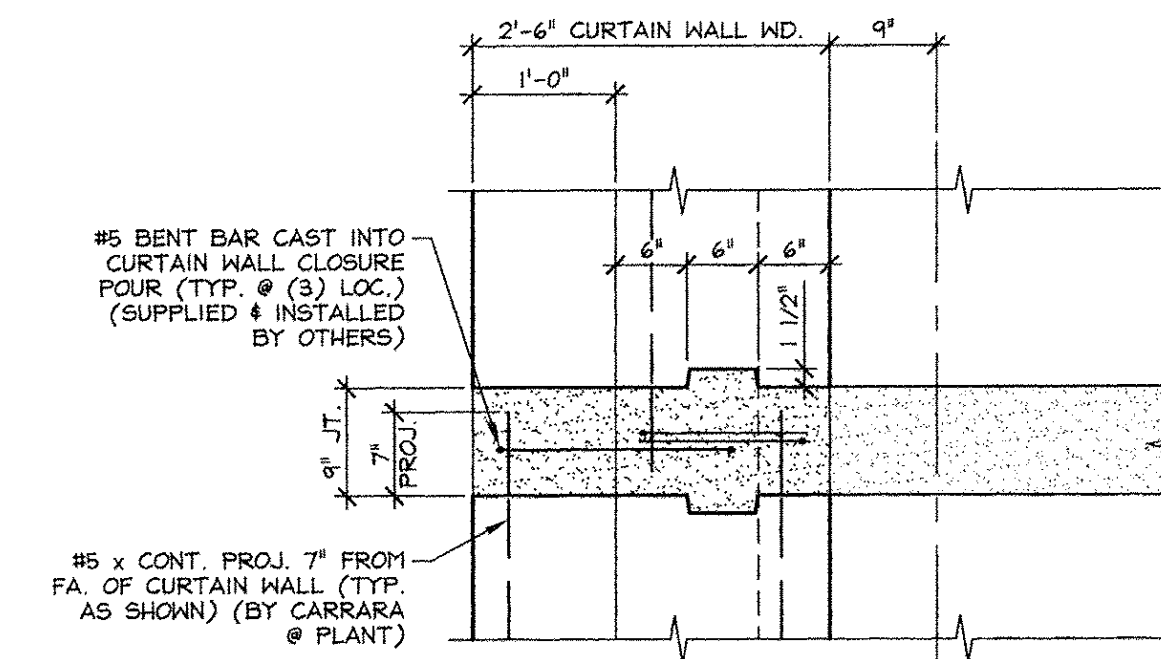
2 CURTAIN WALL ELEVATION - ABUTMENT #1
F5 (MARK END)
3/8" = 1'-0"



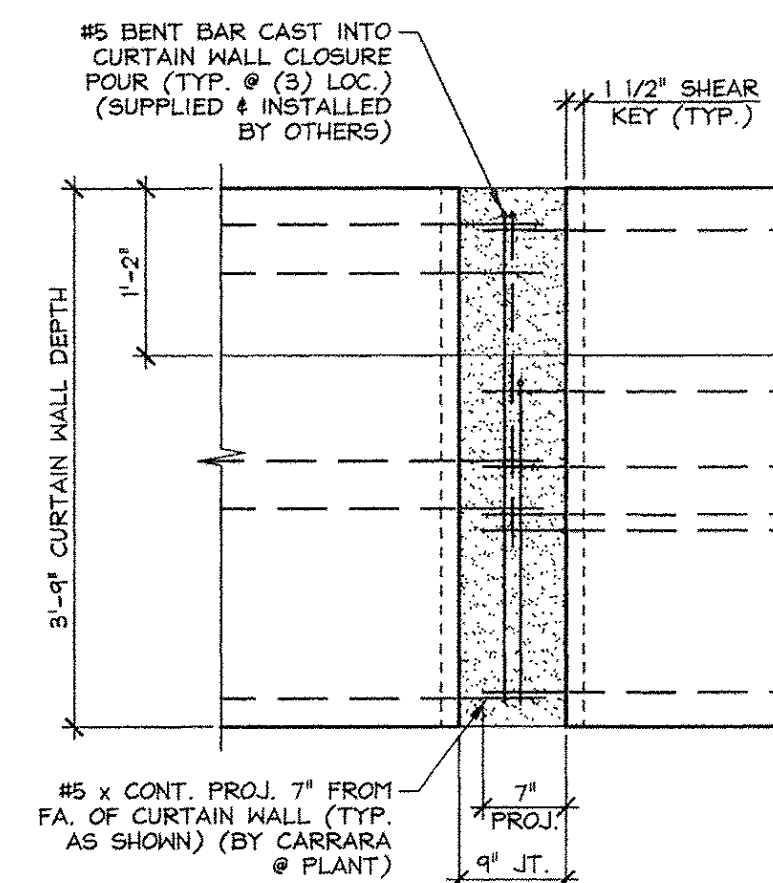
3 CURTAIN WALL ELEVATION - ABUTMENT #2
F5 (NON-MARK END)
3/8" = 1'-0"



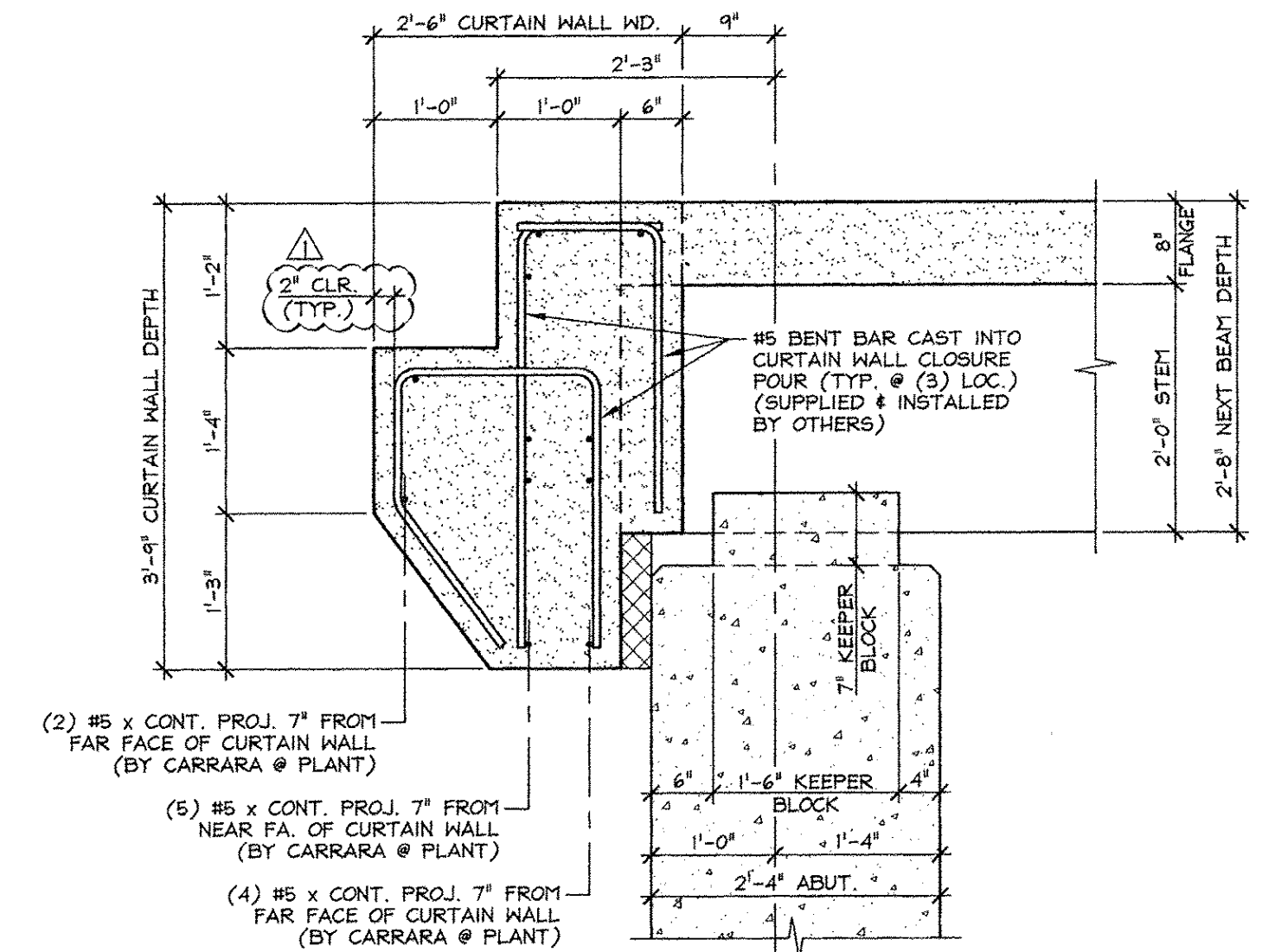
A NEXT BEAM CLOSURE POUR
F5
1 1/2" = 1'-0"



PLAN



ELEVATION



SECTION

B CURTAIN WALL CLOSURE POUR DETAILS
F5
3/4" = 1'-0"

Vermont Agency of Transportation
RECEIVED
ON: April 9, 2014
and Checked for
CONFORMANCE
BY: Rob Young DATE: 04/14/2014

APPROVED: Approval of drawings and/or procedures indicates concurrence with the information presented and does not relieve the Contractor or Fabricator of compliance with all specifications and code requirements	X	Stantec
APPROVED AS NOTED		
REVISE AND RESUBMIT		
NOT REVIEWED		
Date: 4-11-2014		
By: James H. [Signature]		
This review by Stantec Consulting Services Inc. is for the sole purpose of ascertaining conformance with the general design concept. This review shall not mean that Stantec Consulting Services Inc approves the detail design inherent in the shop drawings, responsibility for which shall remain with the Contractor. Submitting same, and such review shall not relieve the Contractor of his responsibility for errors or omissions in the shop drawing or of his responsibility for meeting all requirements of the Contract Documents. The contractor is responsible for dimensions to be confirmed and correlated at the job site, for information that pertains solely to the fabrication processes or to techniques of construction and installation and for coordination of the work of all subcontractors.		

4-7-14 REVISED AS NOTED

APPROVAL STAMP:	J.P. CARRARA & SONS INC. Precast & Prestress Manufacturer 246A CASE ST., MIDDLEBURY, VERMONT 05753 Phone:(802)388-6361 Fax:(802)388-9010	A.L. ST. ONGE CONTRACTOR, INC. CONTRACTOR MONTGOMERY CENTER, VERMONT
DATE: JAN. 27, 2014	STATE OF VERMONT AGENCY OF TRANSPORTATION COUNTY OF FRANKLIN	SCALE: NOTED
CHKD: M.W. DFTM: B.L.	TOWN OF ENOSBURG BOSTON POST ROAD T.H.2 CLASS 2 BRIDGE NO.: 48 PROJECT NO.: BRO 1448(40)	JOB NO: 23418-013
DWG. NO: F5	NEXT BEAM SECTION & CURTAIN WALL ELEVATIONS	

ISSUED FOR PRODUCTION
APR 09 2014
J. P. CARRARA & SONS, INC.
MIDDLEBURY, VT 05753