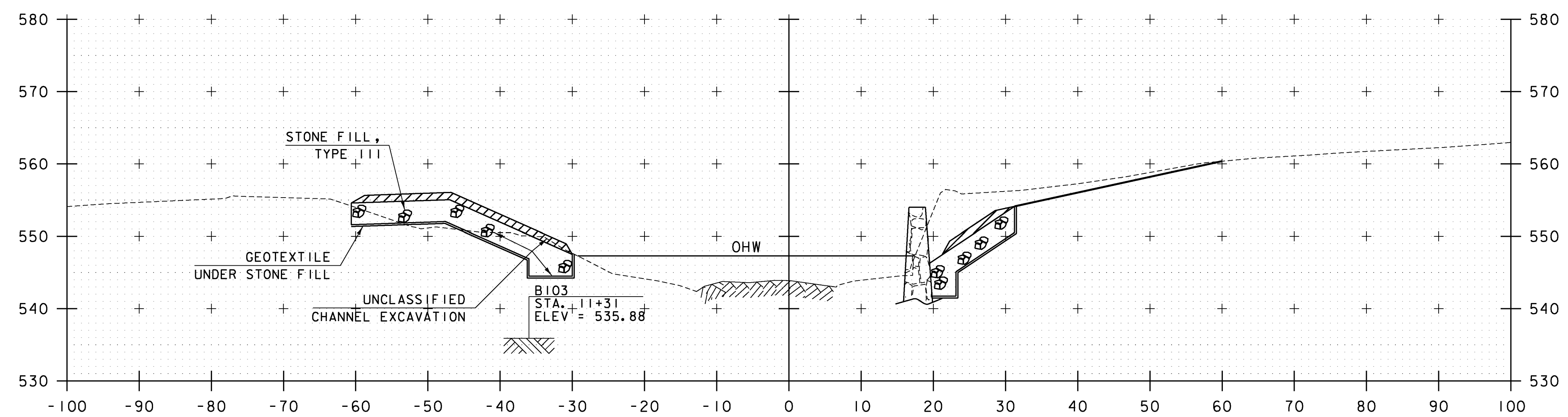


51+50

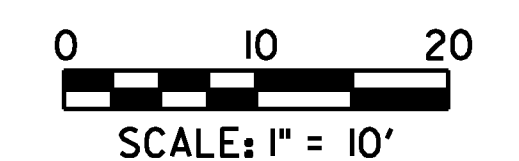


51+20

STA. 51+25 LT  
 END UNCLASSIFIED CHANNEL EXCAVATION  
 END STONE FILL, TYPE III  
 END GEOTEXTILE UNDER STONE FILL  
 END GRUBBING MATERIAL

STA. 51+25 RT  
 END UNCLASSIFIED CHANNEL EXCAVATION  
 END STONE FILL, TYPE III  
 END GEOTEXTILE UNDER STONE FILL  
 END GRUBBING MATERIAL

STA. 51+20 TO STA. 51+50



PROJECT NAME: ENOSBURG	PROJECT NUMBER: BRO 1448(40)
FILE NAME: ...\\13 ChannelCross Sections.dwg@LOT DATE: 10/4/2013	DRAWN BY: E. ALLING
PROJECT LEADER: G. BOGUE	CHECKED BY: G. GOYETTE
DESIGNED BY: G. GOYETTE	SHEET 40 OF 46
<b>CHANNEL CROSS SECTIONS - CXS 5</b>	