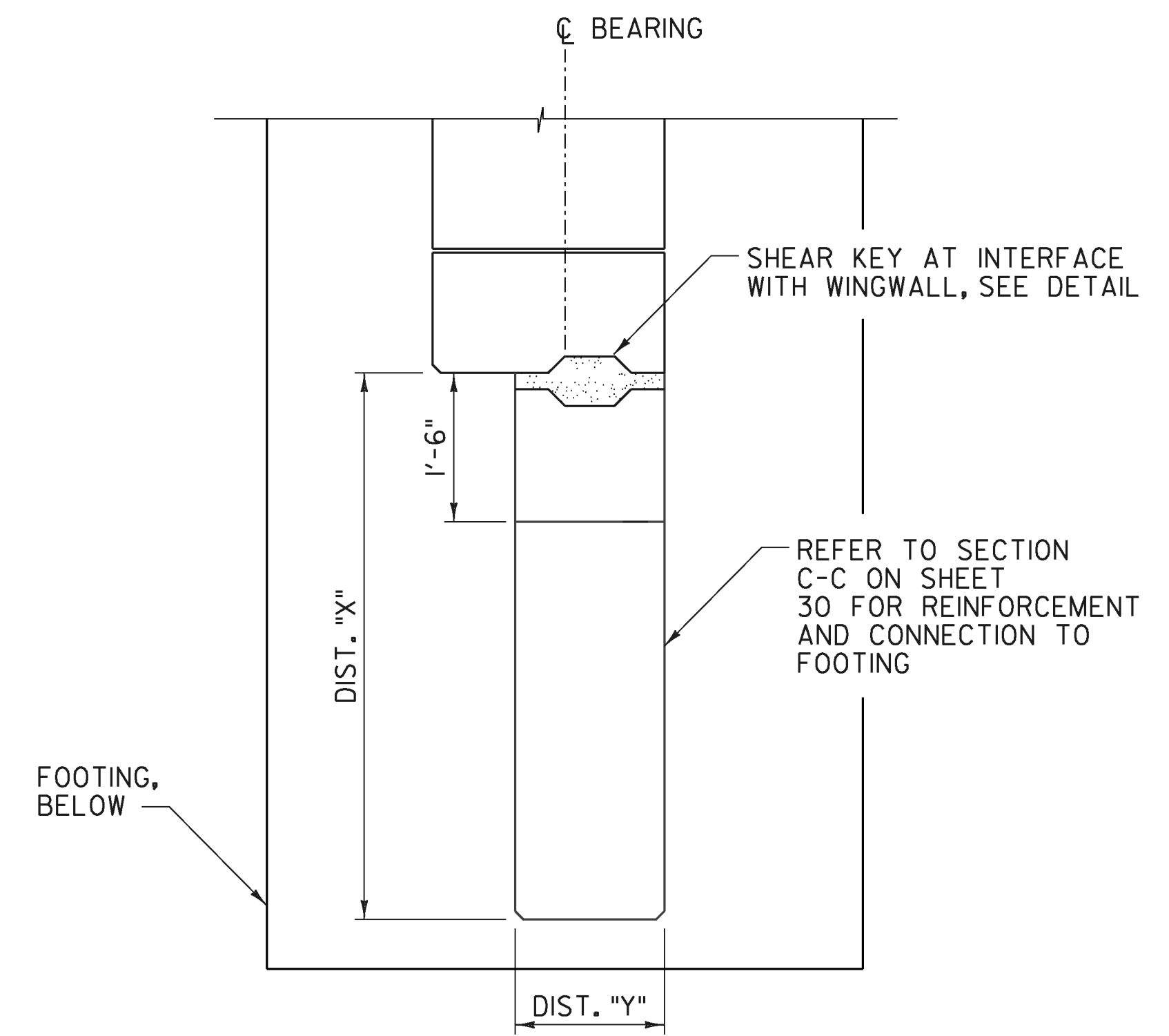
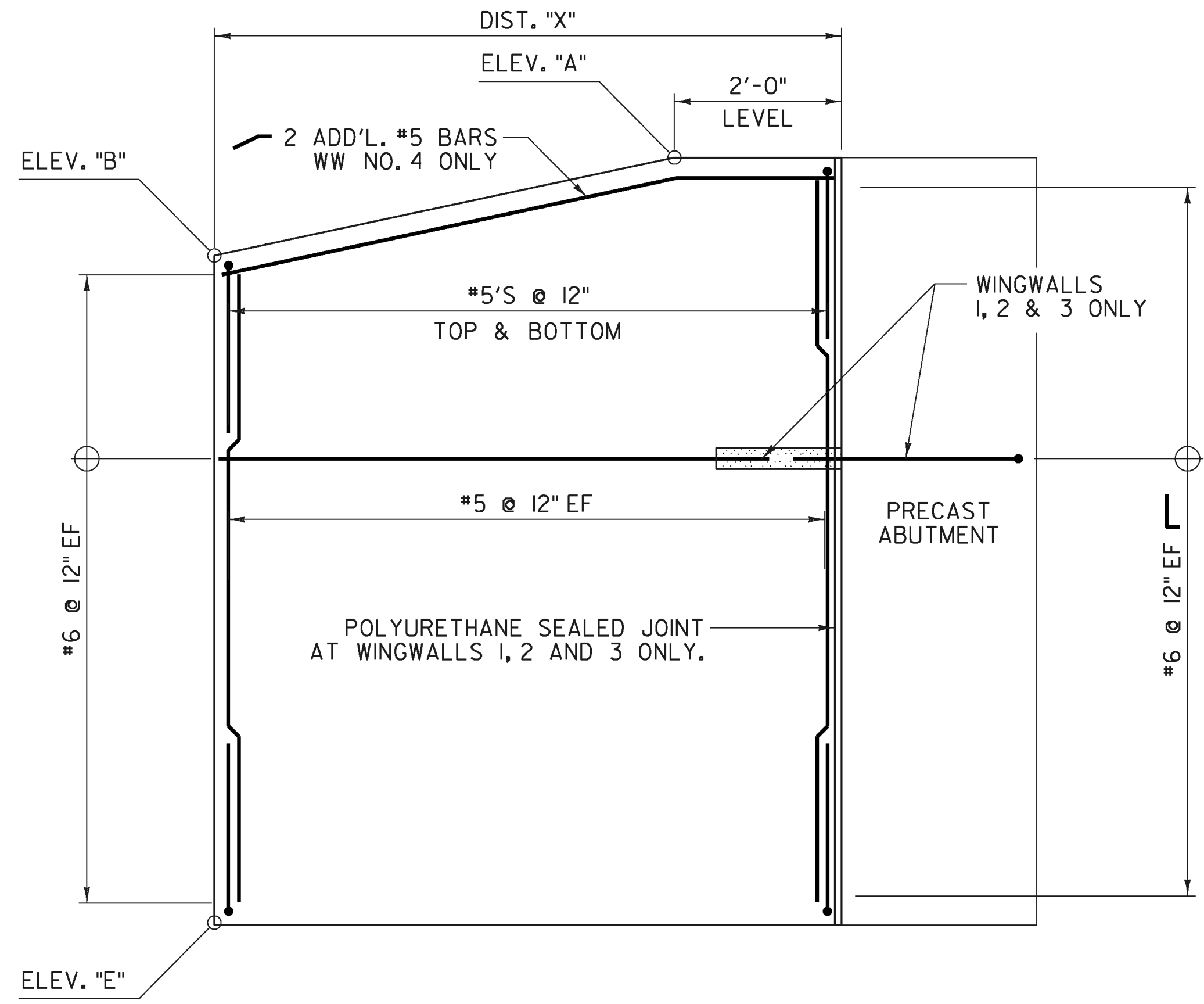


WINGWALLS NO. 1, 2 AND 3 PLAN
 NOT TO SCALE
 WINGWALL 2 SHOWN, OTHERS SIMILAR
 FOOTING NOT SHOWN

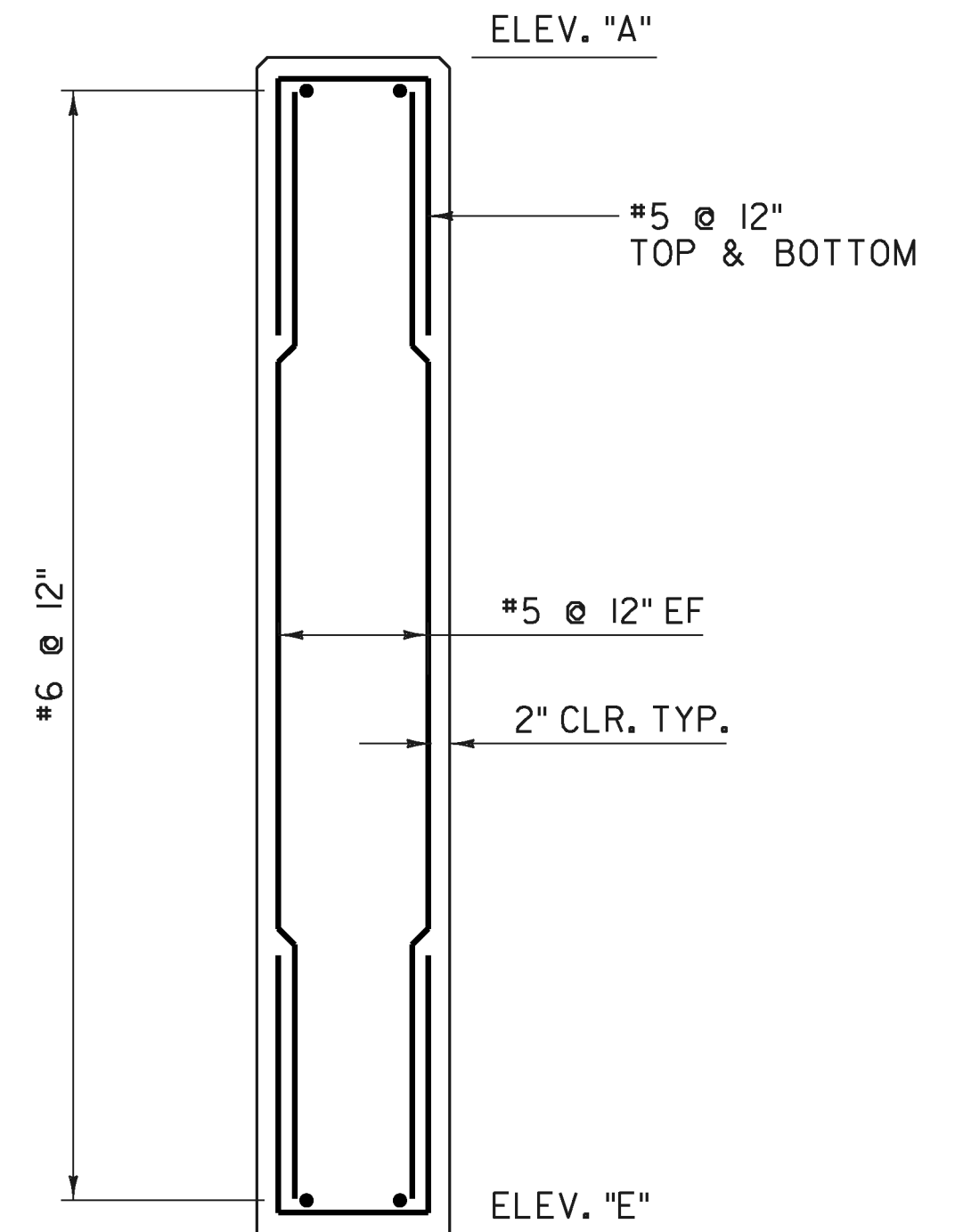
	WW1	WW2	WW3	WW4
ELEV. "A"	558.68	558.17	560.40	559.90
ELEV. "B"	558.35	557.81	560.43	557.60
ELEV. "E"	549.00	549.00	551.50	551.50
DIST. "X"	7'-6"	7'-6"	7'-6"	5'-6"
DIST. "Y"	1'-6"	1'-6"	1'-6"	1'-6"



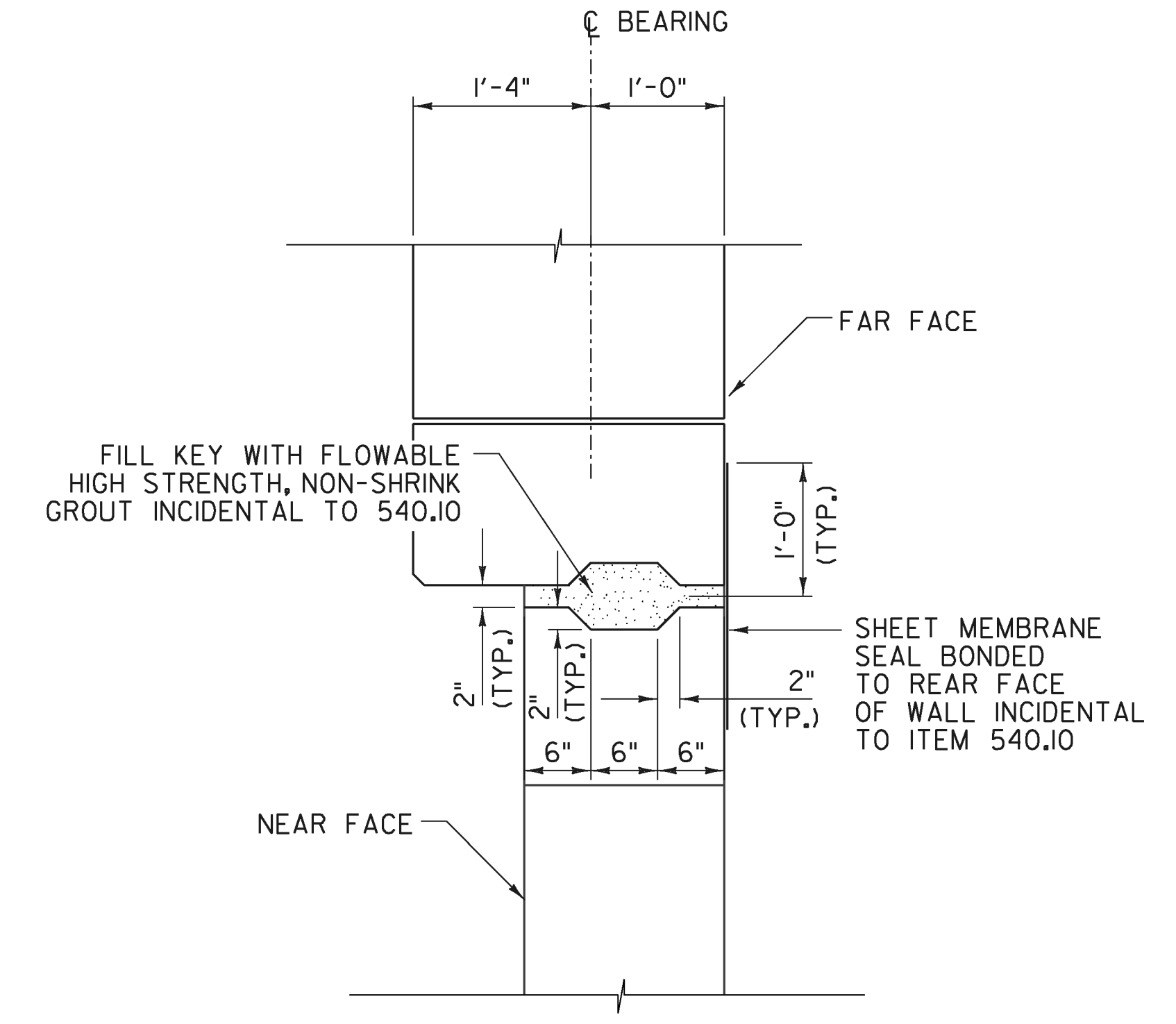
WINGWALLS NO. 4 PLAN
 NOT TO SCALE



WINGWALL ELEVATION
 NOT TO SCALE



WINGWALLS 1, 2 AND 3 TYPICAL
 NOT TO SCALE



ABUTMENT/WINGWALL SHEAR KEY DETAIL
 SCALE 1"=1'-0"

NOTE:
 NF = NEAR FACE
 FF = FAR FACE
 EF = EACH FACE

NOTES:
 1. EPOXY SHALL BE INCIDENTAL TO THE PRECAST CONCRETE STRUCTURE.



PROJECT NAME: ENOSBURG
 PROJECT NUMBER: BRO 1448(40)

FILE NAME: ...XX Wingwall_Det.dgn
 PROJECT LEADER: G. BOGUE
 DESIGNED BY: T. KNIGHT
 PLOT DATE: 10/4/2013
 DRAWN BY: L. BUXTON
 CHECKED BY: T. KNIGHT
 SHEET 31 OF 46

WINGWALL DETAILS