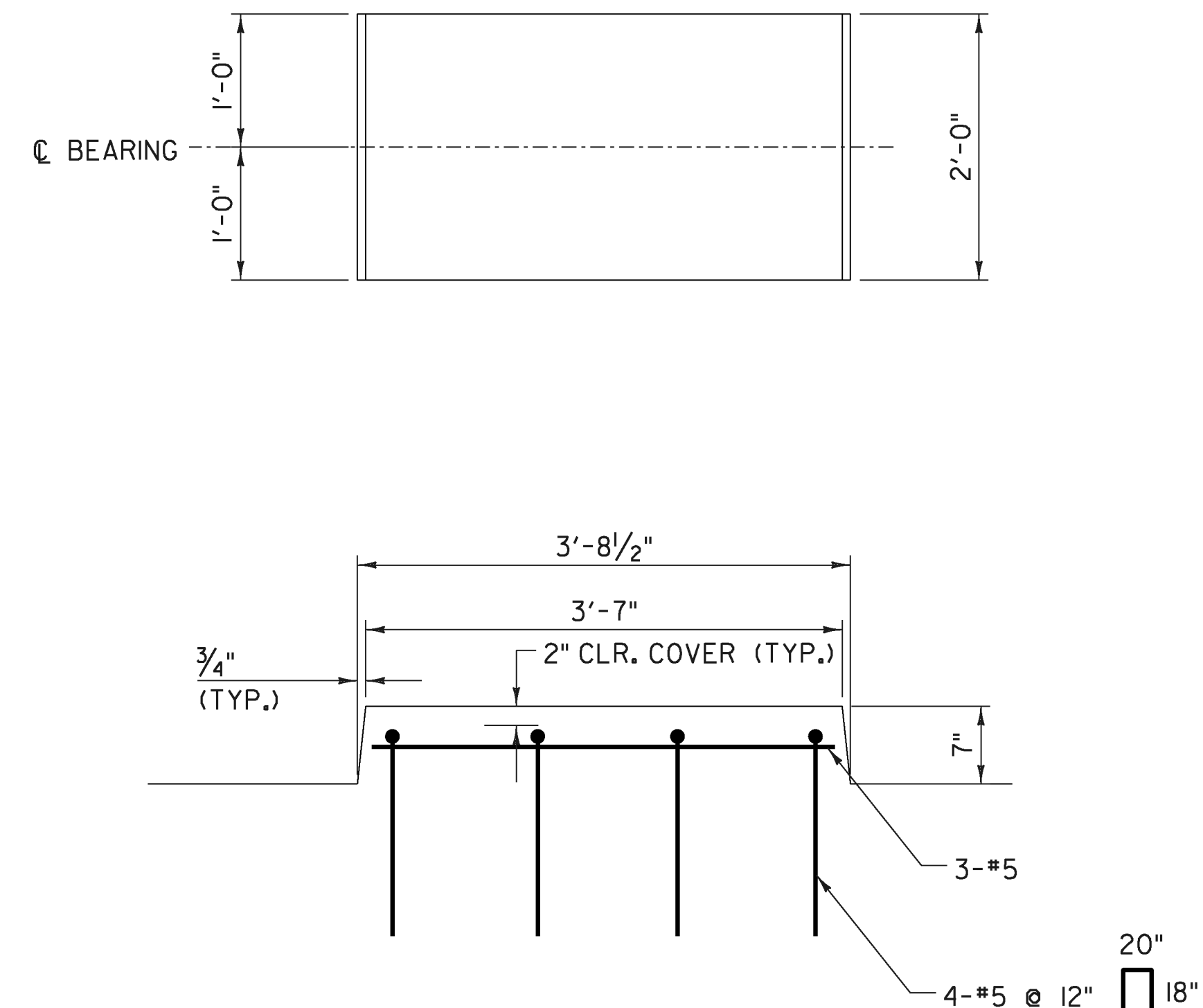


ABUTMENT I PLAN

SCALE 3/8" = 1'-0"

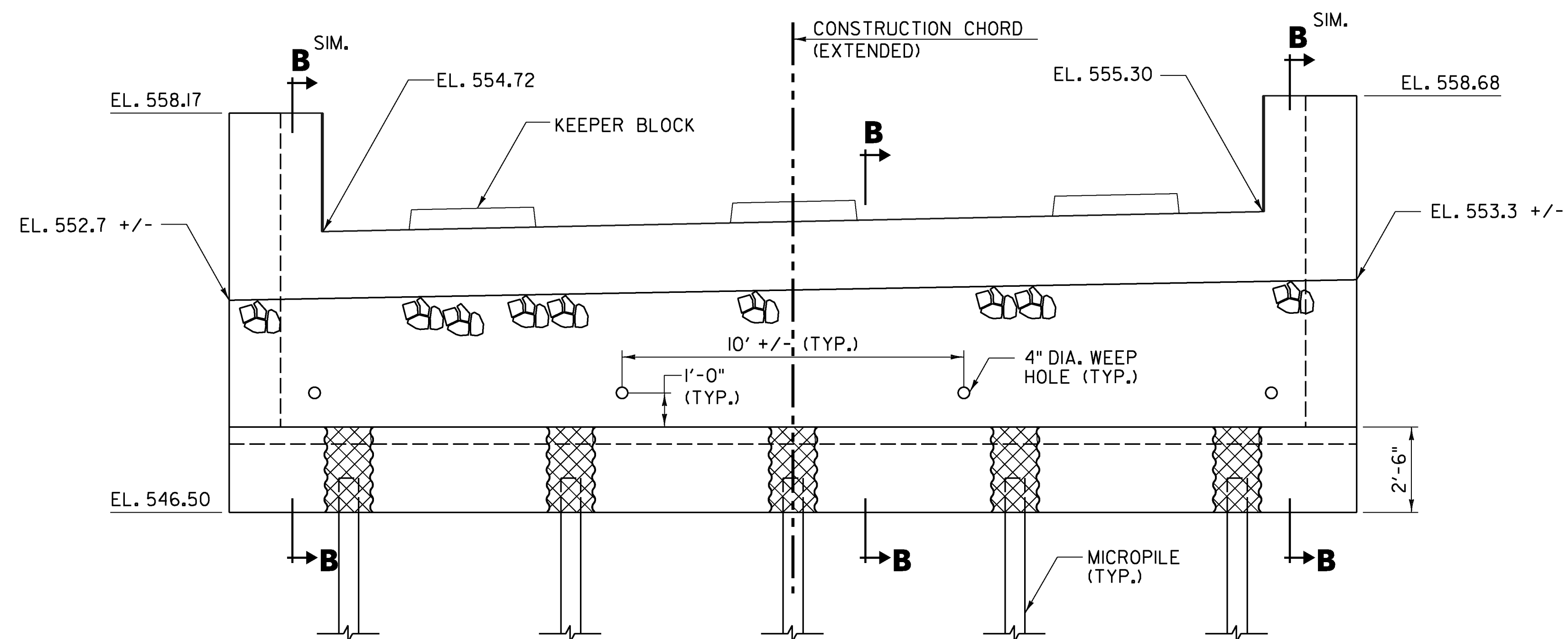
NOTE

- INDICATES VERTICAL MICROPILE
- ◐ INDICATES MICROPILE BATTERED 1 HORIZ. TO 10 VERT.



KEEPER BLOCK DETAIL

SCALE 1" = 1'-0"



ABUTMENT I ELEVATION

SCALE 3/8" = 1'-0"

SPECIAL PROVISION (HIGH PERFORMANCE CONCRETE, RAPID SET)(FPQ).

NOTE: FOR SECTION B-B, REFER TO SHEET 30.

PROJECT NAME: ENOSBURG
PROJECT NUMBER: BRO 1448(40)

FILE NAME: ...\\XX Abut 1Plan_Elev.dgn PLOT DATE: 10/4/2013
PROJECT LEADER: G. BOGUE DRAWN BY: L. BUXTON
DESIGNED BY: T. KNIGHT CHECKED BY: T. KNIGHT

ABUTMENT 1 PLAN & ELEVATION SHEET 28 OF 46

