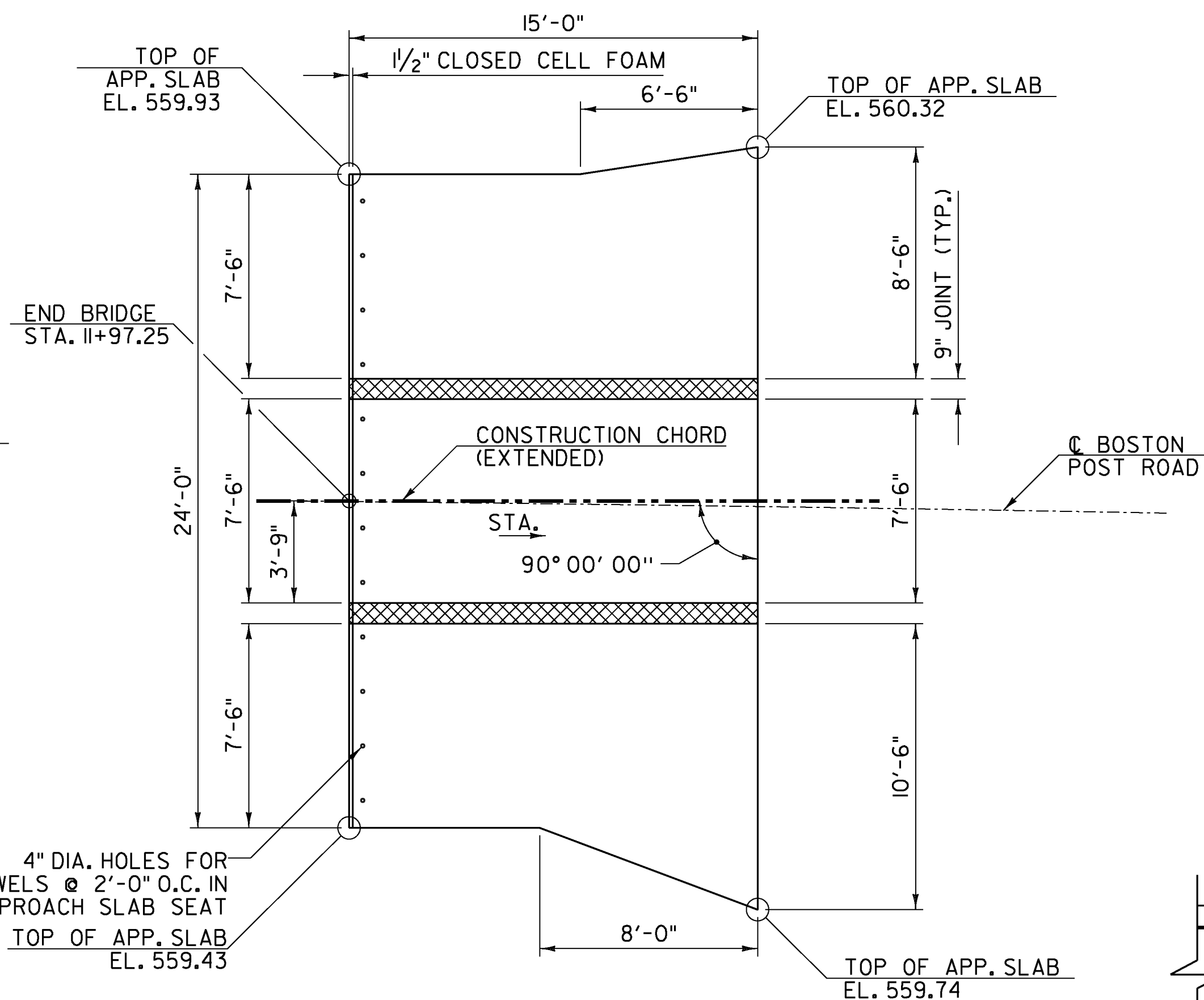
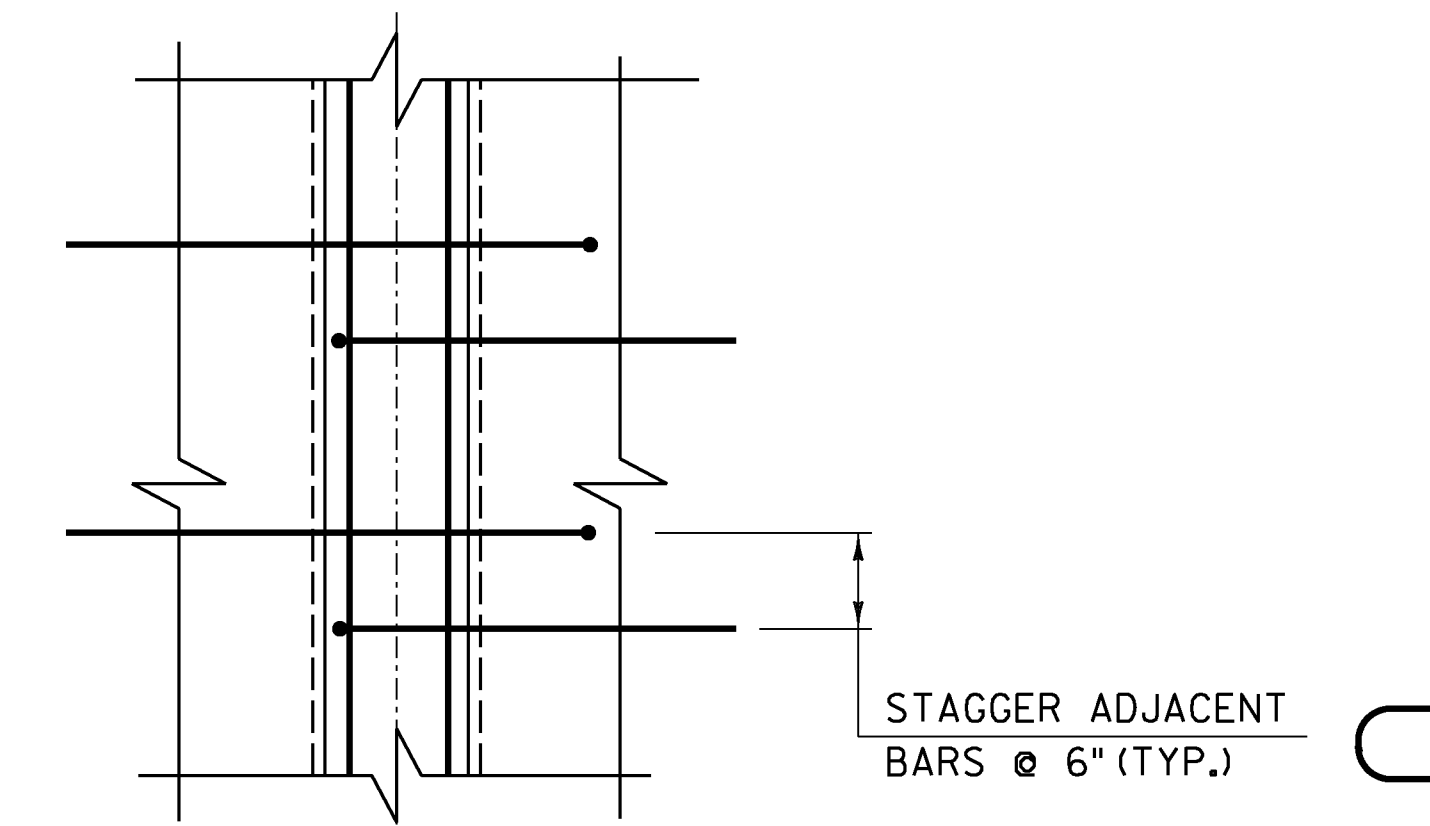


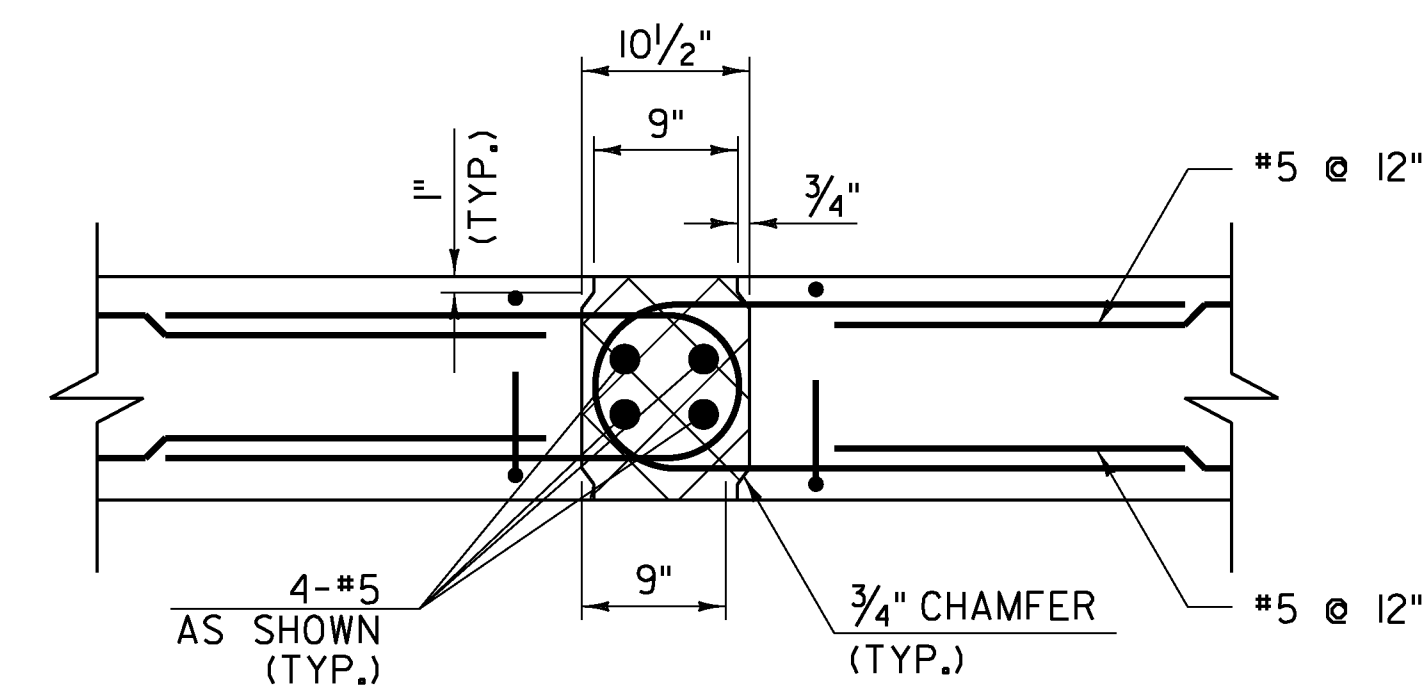
APPROACH SLAB 1 - PLAN
 SCALE: 1/4" = 1'-0"



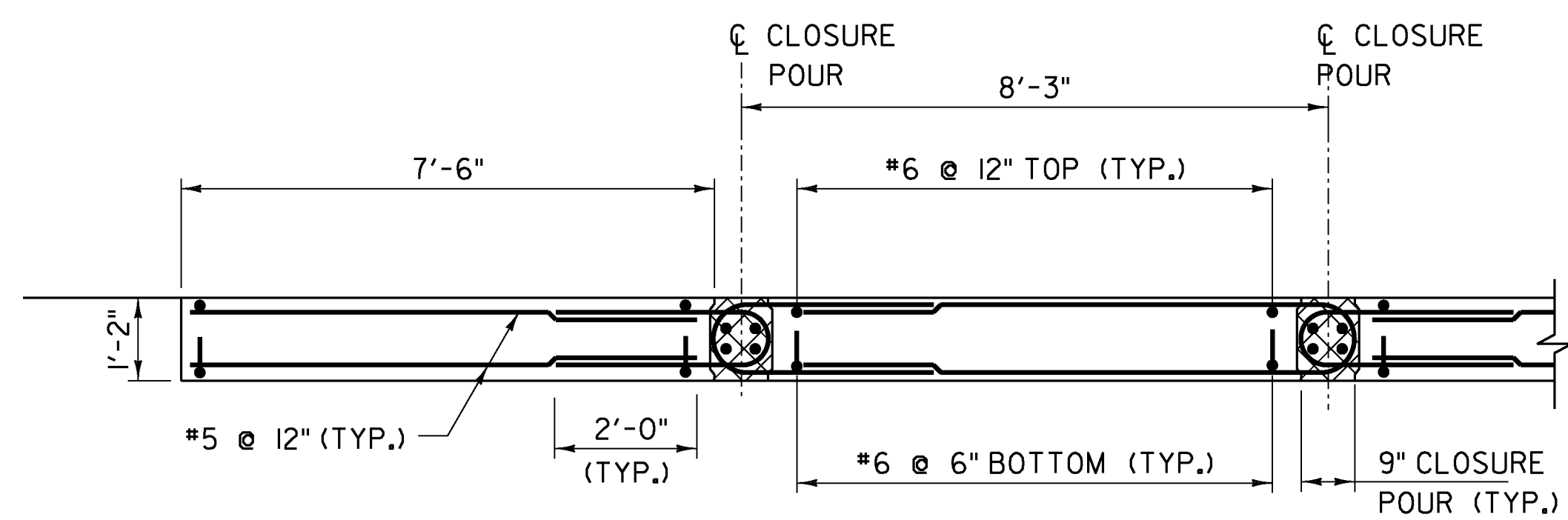
APPROACH SLAB 2 - PLAN
 SCALE: 1/4" = 1'-0"



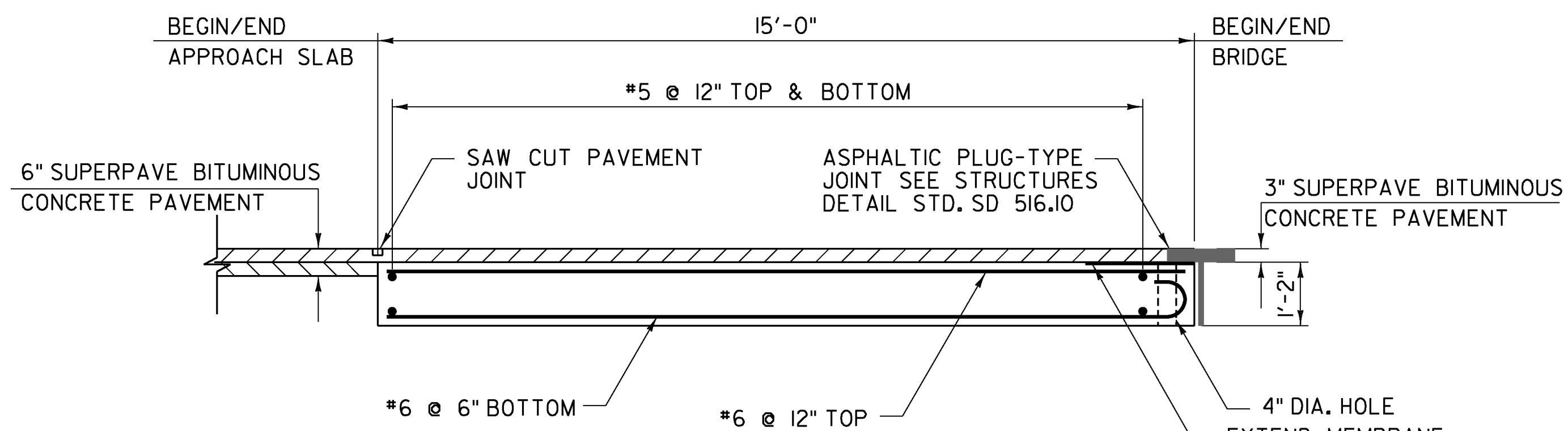
CONNECTION DETAIL PLAN
 SCALE: 1" = 1'-0"



CONNECTION DETAIL SECTION
 SCALE: 1" = 1'-0"

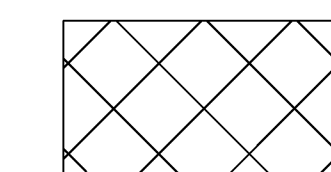


SECTION B-B
 SCALE: 1/2" = 1'-0"



APPROACH SLAB TYPICAL SECTION
 SCALE: 1/2" = 1'-0"

LEGEND:



SPECIAL PROVISION (HIGH PERFORMANCE CONCRETE, RAPID SET)(FPO).

NOTE:
 FOR SAWCUT PAVEMENT JOINT
 DETAIL REFER TO SHEET 24.

PROJECT NAME: ENOSBURG
 PROJECT NUMBER: BRO 1448(40)

FILE NAME: ...Plot Files\XX App slabs.dgn PLOT DATE: 10/17/2013
 PROJECT LEADER: G. BOGUE DRAWN BY: L. BUXTON
 DESIGNED BY: J. HUNGERFORD CHECKED BY: T. KNIGHT
APPROACH SLABS & DETAILS SHEET 26 OF 46

